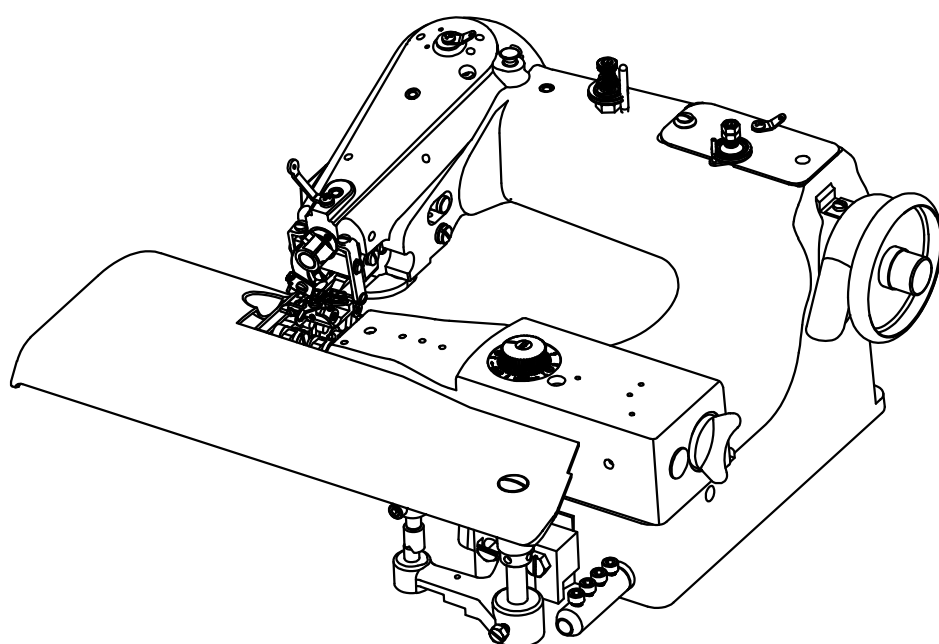


CM101 工业用暗缝机
INDUSTRIAL BLINDSTITCH MACHINE

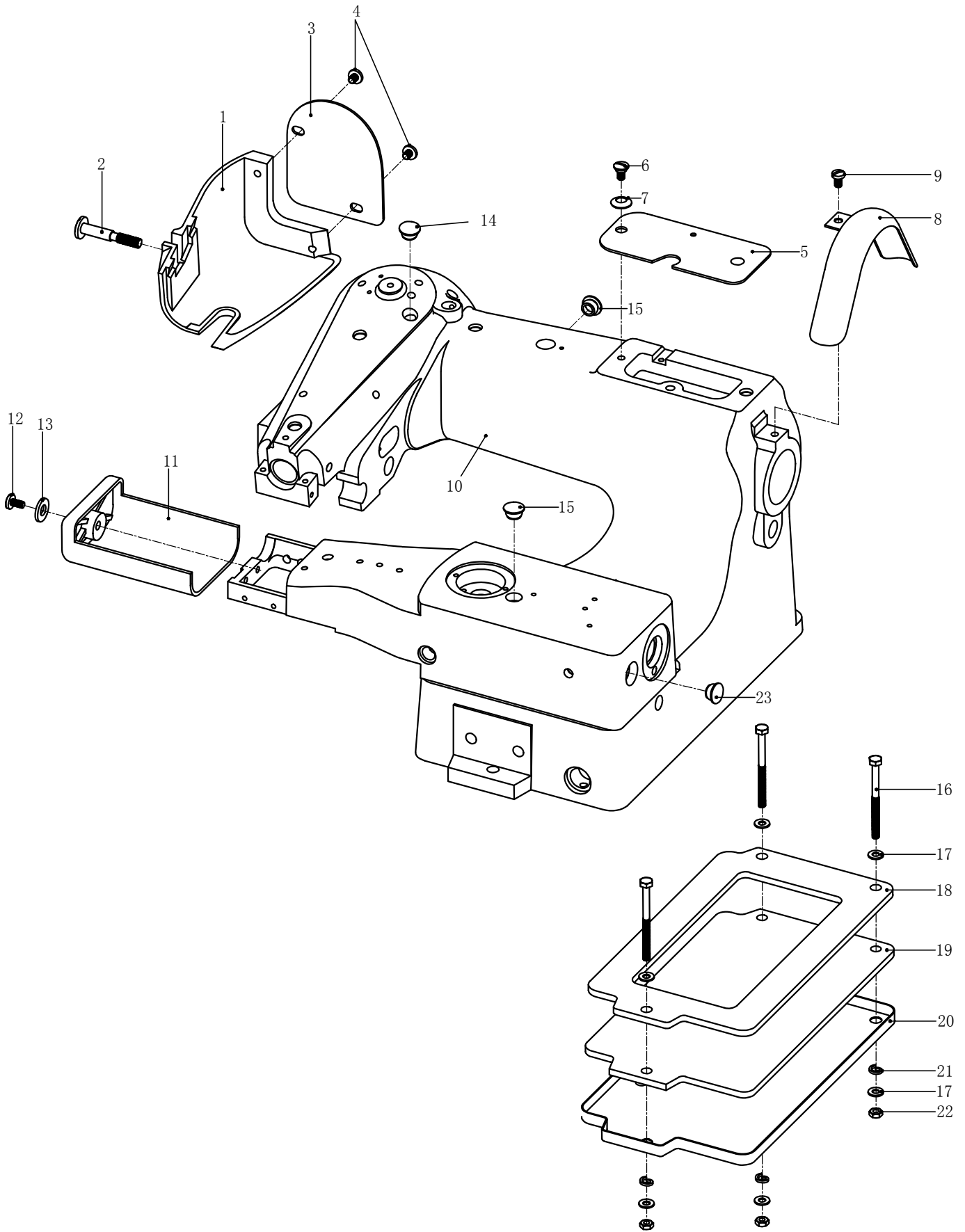


零件手册 PARTS LIST

目 录

A、机架及盖部零部件 Machine Frame & Covers Components	1
B、主要传动轴部件 Main Shaft Mechanism Components	3
C、针摆装置及进料装置零部件 Needle Carrier & Feed Dog Mechanism Components	5
D、打环器装置及针板零部件 Looper Drive Mechanism & Presser Foot Parts Components	9
E、起菱盘及进料板机械零部件 Ridge Forming Disc & Feed Plate Mechanism Components	11
F、起菱盘摆动装置及机杆零部件 Disc Oscillating Mechanism & Knee Press Shaft Parts Components	15
G、压线装置零部件 Thread Tension & Nipper Parts Components	19
H、操作板，压杆及皮带部位的零部件 Work Plate , Knee Press & Belt Cover Parts Components	21
I、标准附件 Standard Accessories	23
J、型号C M - 1 0 1 - H 附加零部件 Work Plate , Knee Press & Belt Cover Parts Components	25

A、机架及盖部零部件
Machine Frame & Covers Components

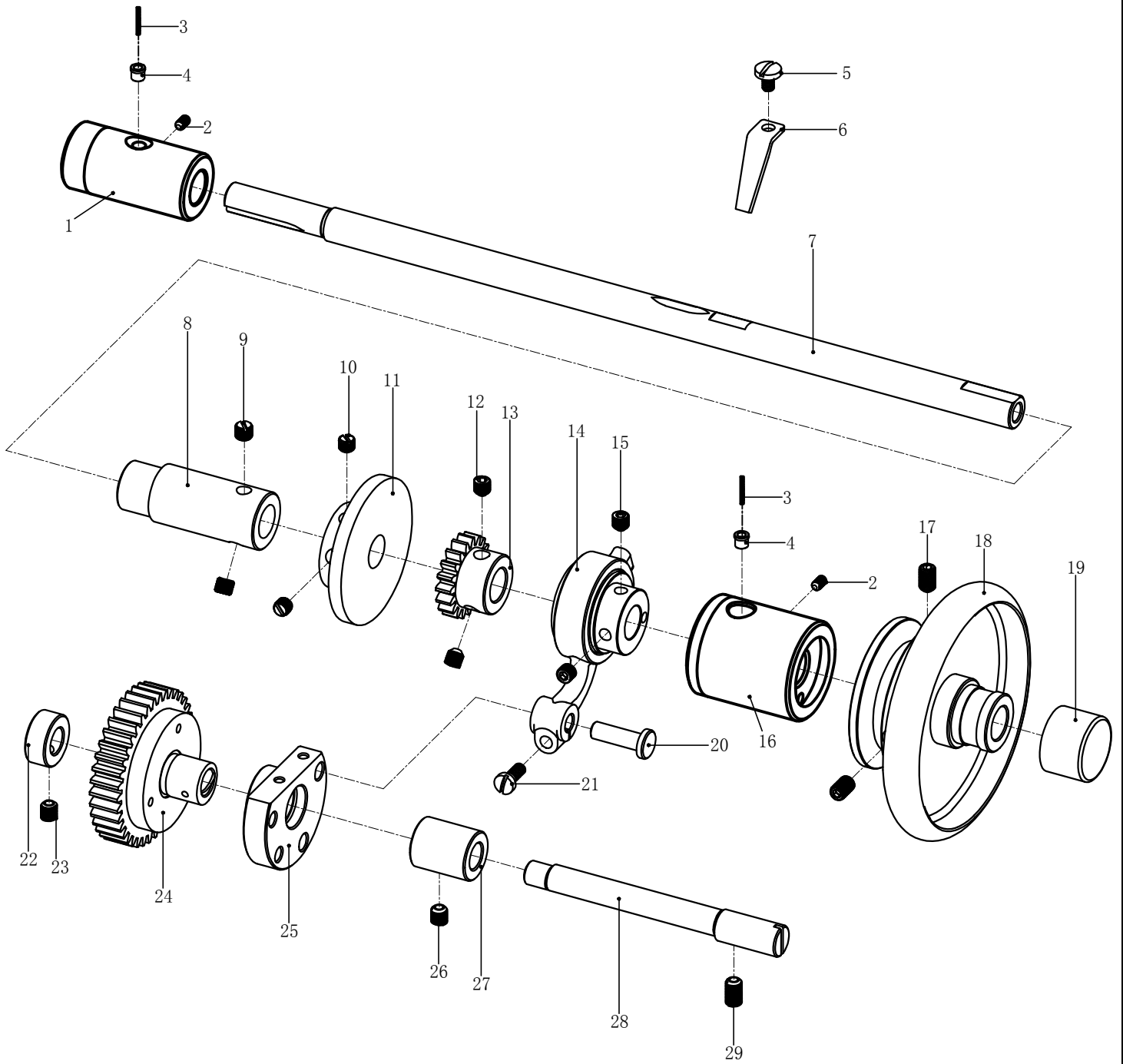


A、机架及盖部零部件

Machine Frame & Covers Components

序号 Ref.No	代号 Assemble.No	件号 Parts.No	部件名称 Description	数量 Num
1	101A-01	A01-01	边盖/Arm Side Cover	1
2	101A-02	LD00500	边盖固定螺钉/Screw(15/64-28×21)	1
3	101A-03	A01-03	边盖板/Arm Side Cover Plate	1
4	101A-04	LD00007	边盖板螺钉/ Screw(3/16-32×5.5)	2
5	101A-05	A01-05	顶盖板/Arm Top Cover Plate	1
6	101A-06	LD00501	顶盖板螺钉/Screw(3/16-32×5.8)	1
7	101A-07	DQ00004	顶盖板垫圈/Arm Top Cover Plate Washer	1
8	101A-08	A01-08	皮带护罩/Belt Guard	1
9	101A-09	LD00502	皮带护罩固定螺钉/Screw(3/16-32×8)	1
10	101A-10	A01-10-E	机架/Machine Frame	1
11	101A-11	A01-11	端面盖/End Cover	1
12	101A-12	LD00503	端面盖固定螺钉/Screw(11/64-40×10)	1
13	101A-13	DQ00026	垫片/Shim	1
14	101A-14	V01-39	橡皮塞/Rubber Stopper	1
15	101A-15	A01-01-B	橡皮塞/Rubber Stopper	2
16	101A-16	FJ1-13	机器固定螺栓/Machine frame	3
17	101A-17	FJ1-14	固定螺栓垫圈/Copper oil pipe line	6
18	101A-18	FJ1-16-1	机器橡胶垫/Copper oil pipe 5	1
19	101A-19	FJ1-21	机器羊毛毡/Rubber cap 16.5	1
20	101A-20	A01-13-1	机器底盘/Three-ring of thread take-up	1
21	101A-21	DQ00014	弹簧垫圈/Haploporeof thread take-up	3
22	101A-22	LM00006	固定螺栓螺母/Pendulum shaft frontal cover	3
23	101A-23	A01-01-C	橡皮塞/Rubber Stopper	1

B、主要传动轴部件
Main Shaft Mechanism Components

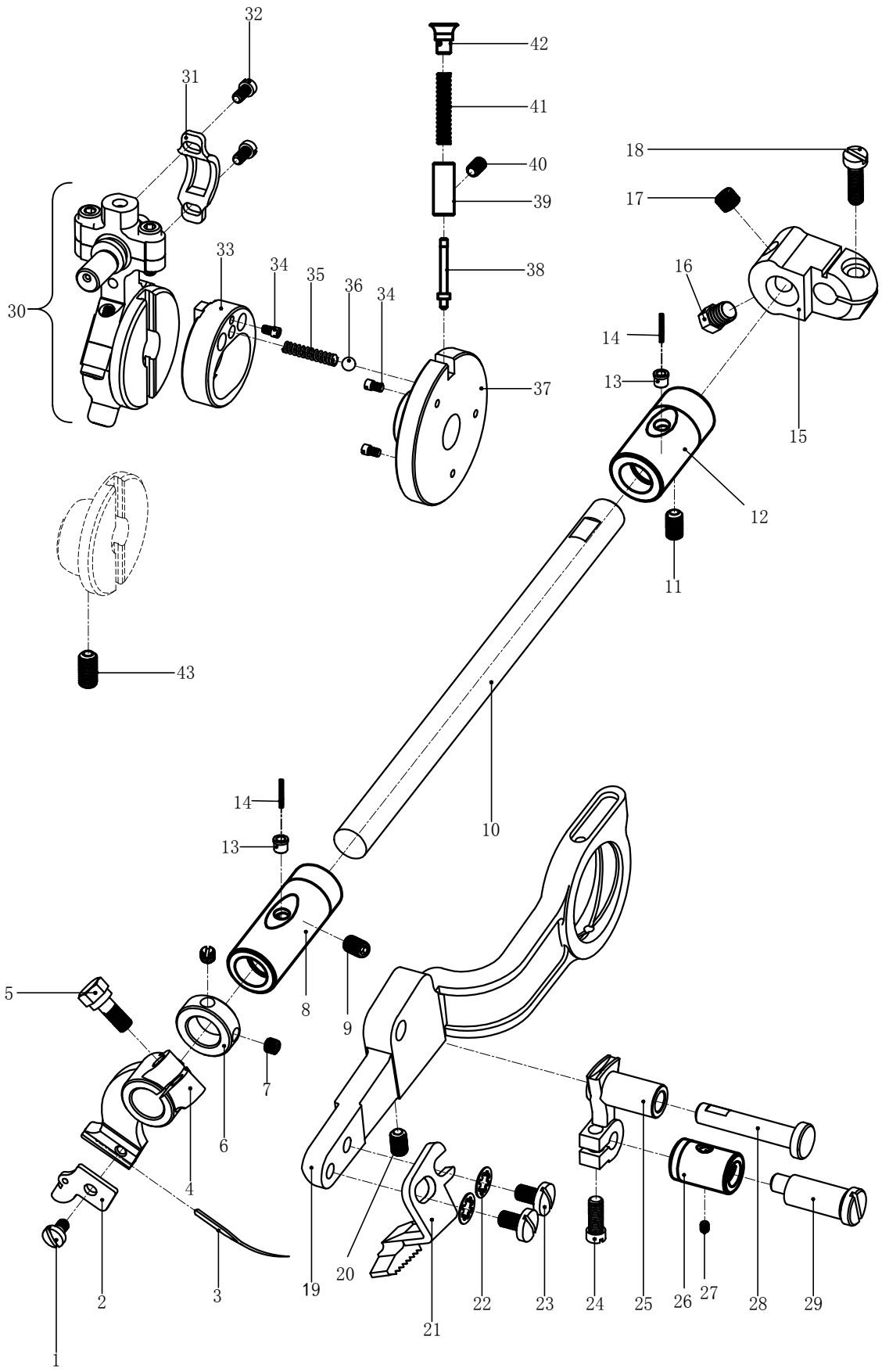


B、主要传动轴部件

Main Shaft Mechanism Components

序号 Ref.No	代号 Assemble.No	件号 Parts.No	部件名称 Description	数量 Num
1	101B-01	A02-01	主轴前套管/Main Shaft Bushing (Front)	1
2	101B-02	LD00001	主轴套管螺钉/Screw(M6×10)	2
3	101B-03	927C012	油线/The Oil Line	2
4	101B-04	A03-01	油盖/Oil Cap	2
5	101B-05	LD00504	缝迹长度指示器螺钉/Screw(9/64-40×5.7)	1
6	101B-06	A02-08	缝迹长度指示器/Stitch Length Indicator	1
7	101B-07	A02-11	主轴/Main Shaft	1
8	101B-08	A02-12	松紧线偏心器/Thread Tension Releasing Eccentric	1
9	101B-09	LD00505	松紧线索偏心器螺钉/Screw(1/4-40×5.2)	2
10	101B-10	LD00506	针缝调节轮螺钉/Screw(15/64-28×5)	2
11	101B-11	A02-05	针缝调节轮/Counterweight	1
12	101B-12	LD00003	主轴齿轮螺钉/Screw(M6×6)	2
13	101B-13	A02-14	主轴齿轮/Skip Stitch Gear (small)	1
14	101B-14	A02-16	偏连杆/Eccentric Rod Assmebly	1
15	101B-15	LD00003	偏心连杆套管螺钉/Screw(M6×6)	2
16	101B-16	A02-10	主轴后套管/Main Shaft Bushing (Rear)	1
17	101B-17	LD00001	皮带轮螺钉/Screw(M6×10)	2
18	101B-18	A02-29	皮带轮/Hand Wheel	1
19	101B-19	A02-31	皮带轮橡皮盖/Hand Wheel Rubber Cap	1
20	101B-20	A06-11	偏心连杆销子/Eccentric Rod Stud	1
21	101B-21	LD00507	偏心连杆销子螺钉/Screw(11/64-40×11.8)	1
22	101B-22	K2-20	主轴齿轮轴环/Skip Stitch Gear Shaft Collar	1
23	101B-23	LD00003	主轴齿轮轴环螺钉/Screw(M6×6)	1
24	101B-24	A02-23	跳缝齿轮/Skip Stitch Gear Assembly	2
25	101B-25	A02-24	离心杆接头/Eccentric Rod Connection	1
26	101B-26	LD00003	跳缝齿轮轴环螺钉/Screw(M6×6)	1
27	101B-27	A02-27	跳缝齿轮轴环/Skip Stitch Gear Shaft Collar	1
28	101B-28	A02-25	跳缝齿轮轴/Skip Stitch Gear Shaft	1
29	101B-29	LD00001	跳缝齿轮轴螺钉/Screw(M6×10)	1

C、针摆装置及进料装置零部件
Needle Carrier & Feed Dog Mechanism Components

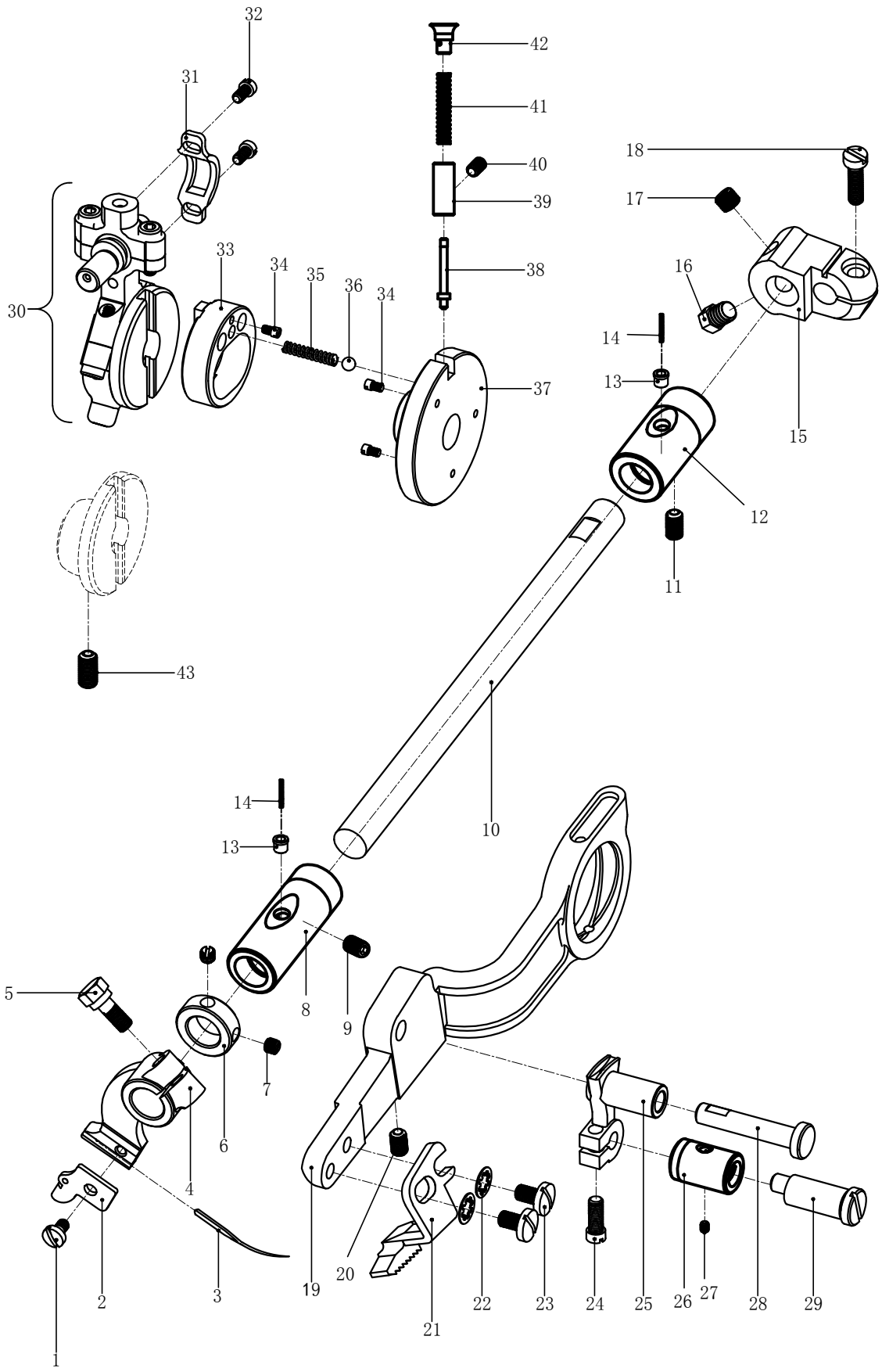


C、针摆装置及进料装置零部件

Needle Carrier & Feed Dog Mechanism Components

序号 Ref.No	代号 Assemble.No	件号 Parts.No	部件名称 Description	数量 Num
1	101C-01	LD00508	针夹螺钉/Screw(9/64-40×7.7)	1
2	101C-02	K3-19	针夹/Needle Clamp	1
3	101C-03	BZ1-13	机针(LW/6T系列)/Needle (System LW X 6T)	1
4	101C-04	A03-03	针摆/Needle Carrier	1
5	101C-05	LD00509	针摆螺钉/Screw(3/16-32×16.5)	1
6	101C-06	A03-06	针轴环/Needle Carrier Shaft Collar	1
7	101C-07	LD00510	针轴环螺钉/Screw(11/64-40×4)	2
8	101C-08	M02-32	针轴前套管/Needle Carrier Shaft Bushing (Front)	1
9	101C-09	LD00099	针轴前套管螺钉/Screw(M5×8)	1
10	101C-10	A03-05	针轴/Needle Carrier Shaft	1
11	101C-11	LD00099	针轴后套管螺钉/Screw(M5×8)	1
12	101C-12	M02-31	针轴后套管/Needle Carrier Shaft Bushing (Rear)	1
13	101C-13	A03-01	油盖/Oil Cap	2
14	101C-14	927C012	油线/Oil Line	2
15	101C-15	A03-12	针轴曲柄/Needle Carrier Shaft Crank	1
16	101C-16	LD00511	针轴曲柄螺钉/Screw(1/4-40×10)	1
17	101C-17	LD00505	针轴曲柄螺钉/Screw(1/4-40×5.2)	1
18	101C-18	LD00512	针轴曲柄夹紧螺钉/Screw(11/64-40×16)	1
19	101C-19	A03-27	进料杆/Feed Lever	1
20	101C-20	LD00099	进料曲柄销子螺钉/Screw(M5×8)	1
21	101C-21	A03-30	牙齿/Feed Dog	1
22	101C-22	DQ00012	牙齿垫圈/Feed Dog Washer	2
23	101C-23	LD00513	牙齿螺钉/Screw(3/16-32×8)	2
24	101C-24	LD00514	送布曲柄销子螺钉/Screw(11/64-40×11)	1
25	101C-25	A03-33-A	送布曲柄/Feed Link	1
26	101C-26	A03-37	进料曲柄套管/Feed Link Eccentric Stud Bushing	1
27	101C-27	LD00083	进料曲柄套管螺钉/Screw(M5X5)	1
28	101C-28	A03-33-B	送布曲柄销子/Feed Stud	1
29	101C-29	A03-36	送料曲柄偏心销/Feed Link Eccentric Stud	1
30	101C-30	A03-18	关节球头组件/Needle Driving Eccentric Assembly	1
31	101C-31	A03-25	球头套盖/Ball Connecting Rod Cap	1
32	101C-32	LD00518	球头套盖螺钉/Screw(1/8-44×6.5)	2
33	101C-33	A03-18-B	偏心套/Spring H	1
34	101C-34	LD00538	缝迹指示器螺钉/Screw(3/32-56×3.3)	3

C、针摆装置及进料装置零部件
Needle Carrier & Feed Dog Mechanism Components

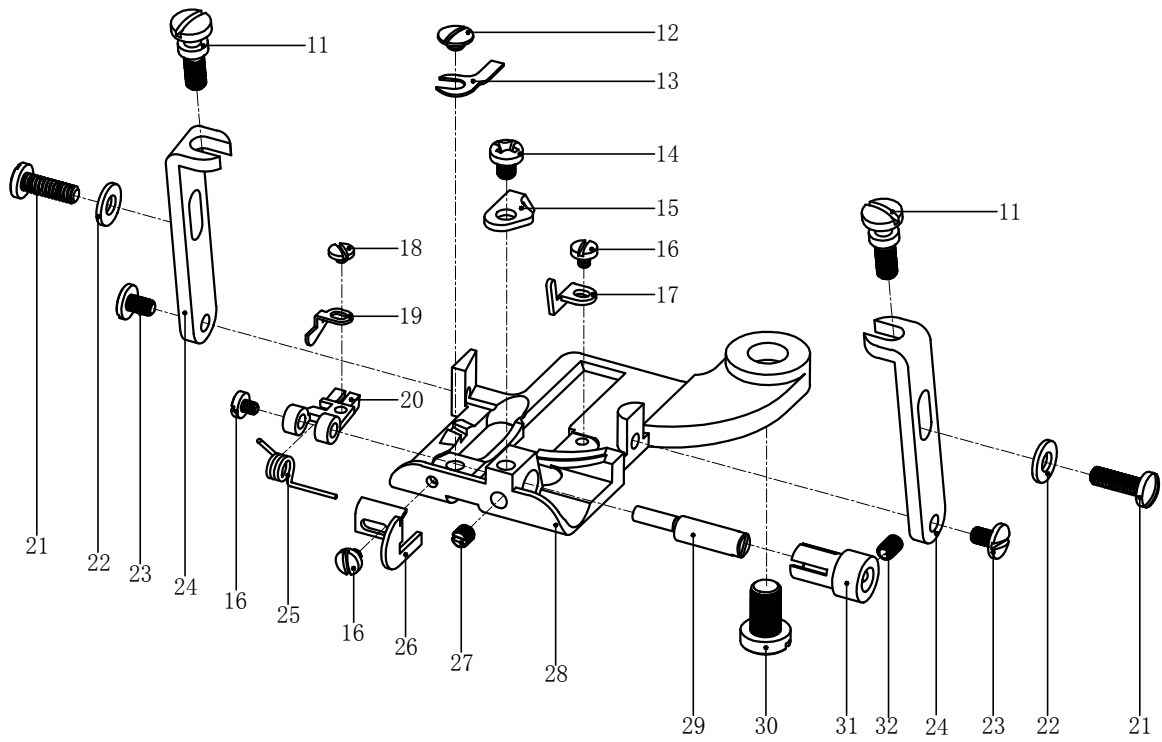
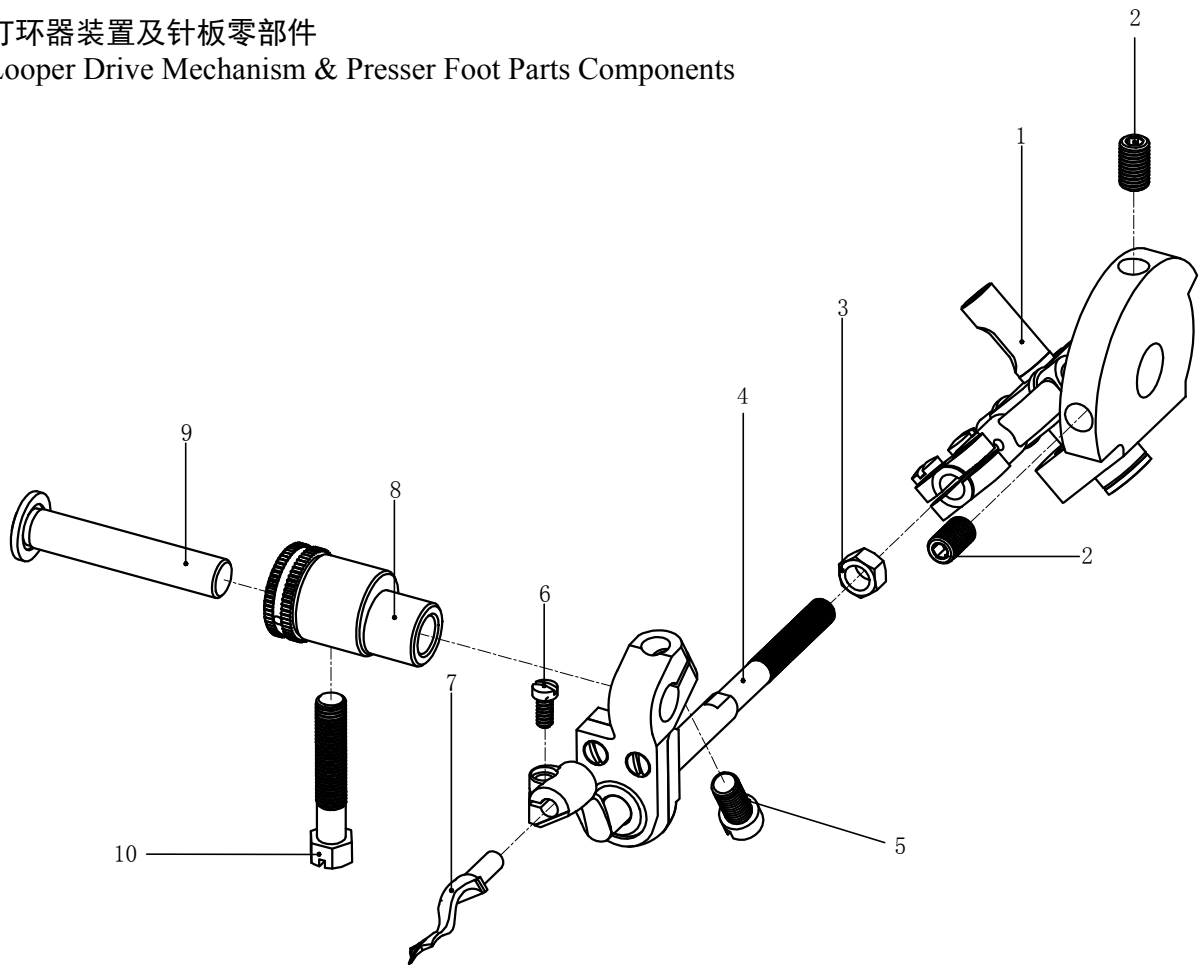


C、针摆装置及进料装置零部件

Needle Carrier & Feed Dog Mechanism Components

序号 Ref.No	代号 Assemble.No	件号 Parts.No	部件名称 Description	数量 Num
35	101C-35	TH00001	缝迹指示器弹簧/Stitch Regulator Spring	1
36	101C-36	GZ00002	缝迹指示器钢珠/Stitch Regulator Ball	1
37	101C-37	A03-18-C	偏心调节盘/Washer 5	1
38	101C-38	A03-39-A	缝迹长度调节活塞销/Piston pin	1
39	101C-39	A03-39	缝迹长度调节活塞套/Piston cover	1
40	101C-40	LD00004	活塞螺钉/Screw(M4×4)	1
41	101C-41	TH00002	缝迹长度调节活塞弹簧/ Piston spring	1
42	101C-42	A03-39-B	缝迹长度调节活塞按钮/Piston button	1
43	101C-43	LD00539	连杆偏心器螺钉/Screw(7/32-32×11)	1

D、打环器装置及针板零部件
 Looper Drive Mechanism & Presser Foot Parts Components

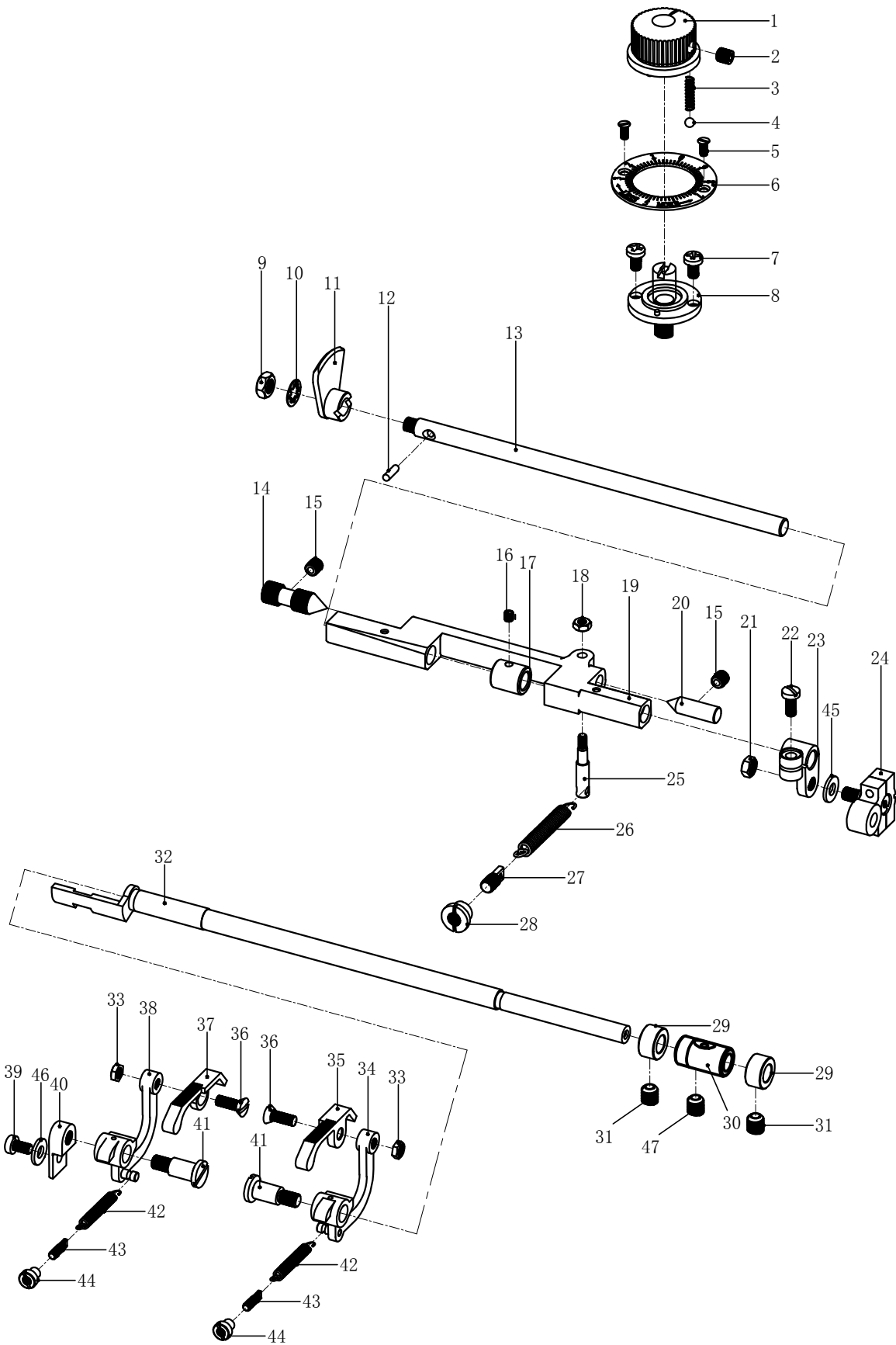


D、打环器装置及针板零部件

Looper Drive Mechanism & Presser Foot Parts Components

序号 Ref.No	代号 Assemble.No	件号 Parts.No	部件名称 Description	数量 Num
1	101D-01	A04-01	打环器曲柄组件/Looper Drive Crank Assembly	1
2	101D-02	LD00063	打环器曲柄组件螺钉/Screw(15/64-28×10)	2
3	101D-03	LM00004	打环器针螺母/Looper Carrier Nut	1
4	101D-04	A04-09-A	打环器针组件/Looper Carrier Assembly	1
5	101D-05	LD00517	打环器轴承夹紧螺钉/Screw(7/32-32×11.5)	1
6	101D-06	LD00518	打环器针夹紧螺钉/Screw(1/8-44×6.5)	1
7	101D-07	K3-32	挑线叉/Looper	1
8	101D-08	A04-17	偏心套筒/Eccentric Sleeve	1
9	101D-09	A04-17-A	偏心销子/Eccentric Pin	1
10	101D-10	LD00519	套筒螺钉/Screw(15/64-28×30)	1
11	101D-11	LD00520	针板支架调节螺钉/Screw(M4×9)	2
12	101D-12	LD00521	导布板螺钉/Screw(9/64-40×2.3)	1
13	101D-13	K3-58	导布板/Stitch Stabilizing Guide	1
14	101D-14	LD00086	定位器螺钉/Screw (9/64-40×4.3)	1
15	101D-15	A04-38	定位器/Cloth Retainer Stopper	1
16	101D-16	LD00522	链指针螺钉/Screw(3/32-56×2.5)	3
17	101D-17	K3-56	链指针/Chainging Finger	1
18	101D-18	LD00065	压布板导布片螺钉/Screw(3/32-56×2)	1
19	101D-19	K3-62-1	压布板导布片/Fixture plate guide sheet	1
20	101D-20	K3-62	压布板/Cloth Retainer	1
21	101D-21	LD00280	针板支架夹紧螺钉/Screw(9/64-40×11.5)	2
22	101D-22	DQ00005	针板支架垫圈/Washer	2
23	101D-23	LD00523	针板夹紧螺钉/Screw(1/8-44×5.2)	2
24	101D-24	K3-48	针板支架/Presser Foot Bracket	2
25	101D-25	A04-33	压布板弹簧/Cloth Retainer Spring	1
26	101D-26	K3-60	引边装置/Edge Guide	1
27	101D-27	LD00524	压布板锁紧螺钉/Screw(9/64-40×4)	1
28	101D-28	A04-26	针板/Needle Guide	1
29	101D-29	A04-34	压布板偏心销/Cloth Retainer Eccentric Stud	1
30	101D-30	LD00525	针板螺钉/Screw(15/64-28×10)	1
31	101D-31	K3-67	压布板偏心套筒/Cloth Retainer Eccentric Stud Bushing	1
32	101D-32	LD00040	压布板偏心销螺钉/Screw(M3×3)	1

E、起菱盘及进料板机械零部件
Ridge Forming Disc & Feed Plate Mechanism Components

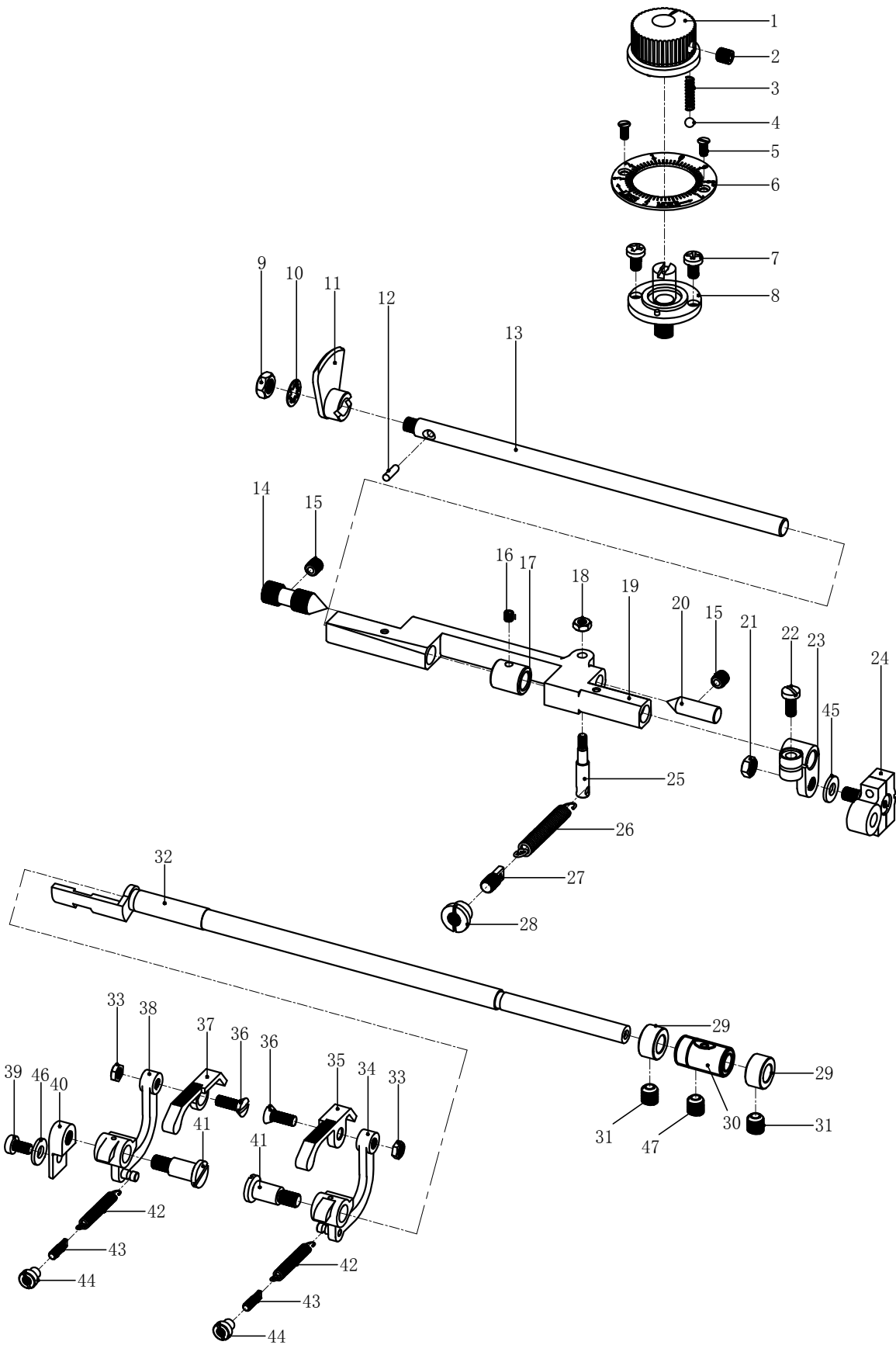


E、起菱盘及进料板机械零部件

Ridge Forming Disc & Feed Plate Mechanism Components

序号 Ref.No	代号 Assemble.No	件号 Parts.No	部件名称 Description	数量 Num
1	101E-01	A05-39	起菱盘调节器/Disc Adjusting Regulator Assembly	1
2	101E-02	LD00003	调节器固定螺钉/Screw(M6×6)	1
3	101E-03	TH00005	调节弹簧/Disc Adjusting Regulator Spring	1
4	101E-04	GZ00001	钢球/Disc Adjusting Regulator Ball	1
5	101E-05	LD00342	调节显示牌螺钉/Screw(1/8-44×7)	2
6	101E-06	A05-37	调节显示牌/Disc Adjusting Dial	1
7	101E-07	LD00518	调节基座螺钉/Screw(1/8-44×6.5)	2
8	101E-08	A05-45	调节基座/Disc Adjusting Regulator Base	1
9	101E-09	LM00002	起菱盘螺母/Ridge Forming Disc Nut	1
10	101E-10	DQ00006	起菱盘垫圈/Ridge Forming Disc Washer	1
11	101E-11	A05-01	起菱盘/Ridge Forming Disc	1
12	101E-12	A05-04	起菱盘档销/Ridge Forming Disc Positioning Pin	1
13	101E-13	A05-05	起菱盘轴/Ridge Forming Disc Shaft	1
14	101E-14	A05-14	调节柄调节螺钉/Screw	1
15	101E-15	LD00003	调节柄轴固定螺钉/Screw(M6×6)	1
16	101E-16	LD00004	起菱盘曲柄螺钉/Screw(M4×4)	1
17	101E-17	A05-06	起菱盘轴环/Ridge Forming Disc Shaft Collar	1
18	101E-18	LM00007	调节柄弹簧拉销螺母/ Nut	1
19	101E-19	A05-13	起菱盘调节柄/Disc Adjusting Holder	1
20	101E-20	A05-16	调节柄锥度销/Disc Adjusting Holder Pivot Bearing Pin	1
21	101E-21	LM00004	球头固定螺母/Ball Stud Nut	1
22	101E-22	LD00503	起菱盘曲柄螺钉/Screw(11/64-40×10)	1
23	101E-23	A05-08	起菱盘曲柄/Ridge Forming Disc Shaft Crank	1
24	101E-24	A05-10	球形接头和螺钉/Ball Joint& Stud Assembly With Screws	1
25	101E-25	A05-21	调节柄弹簧拉销/Disc Adjusting Holder Spring Stud	1
26	101E-26	TH00003	调节柄弹簧/Disc Adjusting Holder Spring	1
27	101E-27	A05-19	调节柄弹簧螺钉/Disc Adjusting Holder Spring Screw	1
28	101E-28	A05-20	调节柄弹簧螺母/Disc Adjusting Holder Spring Nut	1
29	101E-29	A05-26	抬压脚轴轴环/Feed Plate Shaft Collar	2
30	101E-30	A05-24	抬压脚轴套管/Feed Plate Shaft Bushing	1
31	101E-31	LD00004	抬压脚轴轴环螺钉/Screw(M4×4)	2
32	101E-32	A05-23	抬压脚轴/Feed Plate Shaft	1
33	101E-33	LM00001	压脚螺母/Feed Plate Nut	2
34	101E-34	A05-28-B	右压脚支架/Cylinder bed shaft sleeve	1

E、起菱盘及进料板机械零部件
Ridge Forming Disc & Feed Plate Mechanism Components



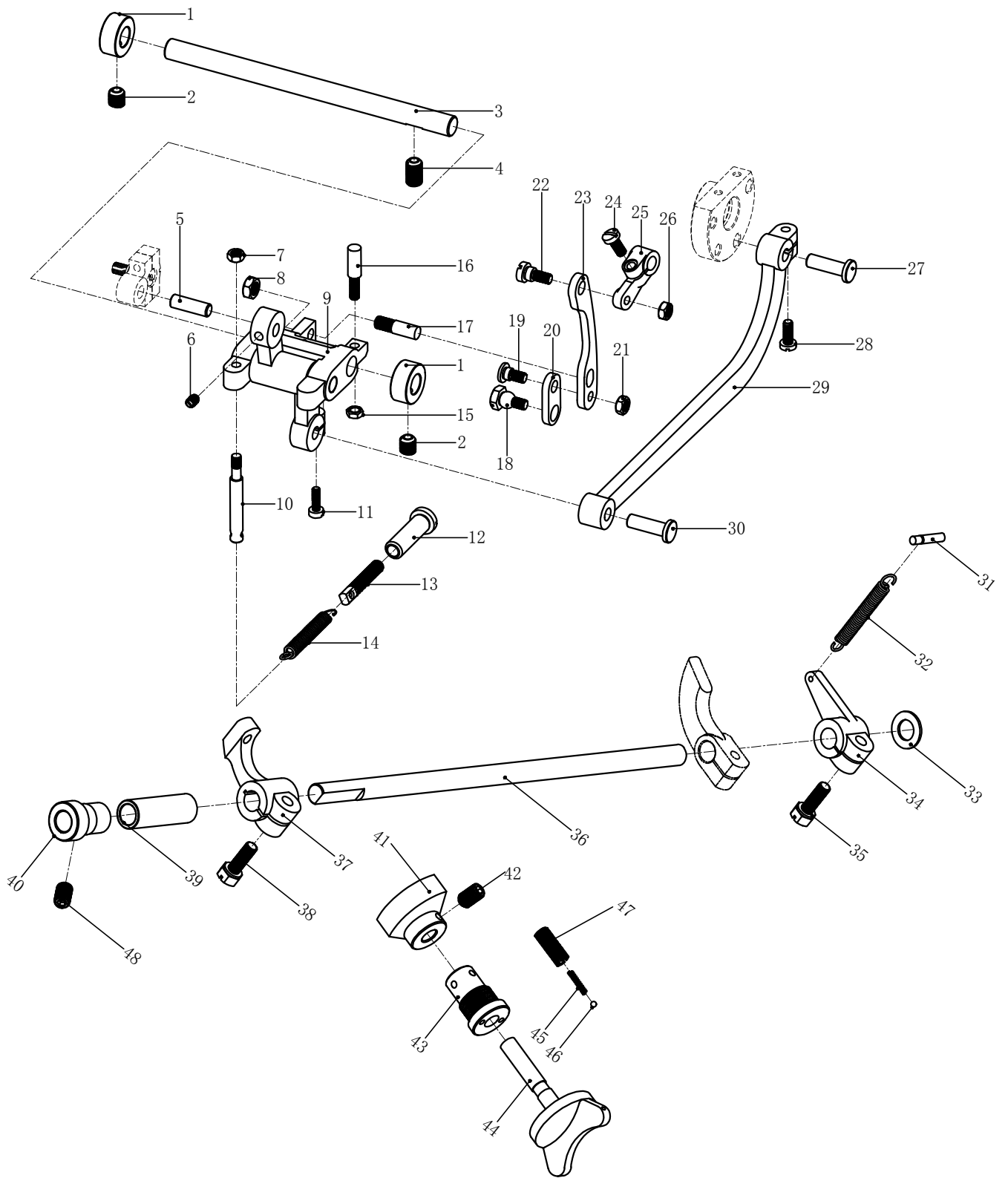
E、起菱盘及进料板机械零部件

Ridge Forming Disc & Feed Plate Mechanism Components

序号 Ref.No	代号 Assemble.No	件号 Parts.No	部件名称 Description	数量 Num
35	101E-35	A05-28-D	右压脚/Cylinder bed shaft	1
36	101E-36	LD00527	压脚螺钉/Screw(11/64-40×15)	2
37	101E-37	A05-28	左压脚/Stopper ring	1
38	101E-38	A05-28-A	左压脚支架/Spring L	1
39	101E-39	LD00010	托架螺钉/Screw(11/64-40×11)	1
40	101E-40	A05-35	压脚托架/Feed Plate Bracket	1
41	101E-41	A05-31	压脚轴位螺钉/Feed Plate Shoulder Bearing Screw	2
42	101E-42	TH00004	压脚拉簧/Feed Plate Spring	2
43	101E-43	A05-33	压脚拉簧螺钉/Feed Plate Spring Screw	2
44	101E-44	A05-34	压脚拉簧螺母/Feed Plate Spring Adjusting Nut	2
45	101E-45	DQ00014	弹簧垫片/Spring Shim	1
46	101E-46	DQ00026	垫圈/Washer	1
47	101E-47	LD00001	抬压脚轴套头螺钉/Screw(M6×10)	1

F、起菱盘摆动装置及机杆零部件

Disc Oscillating Mechanism & Knee Press Shaft Parts Components



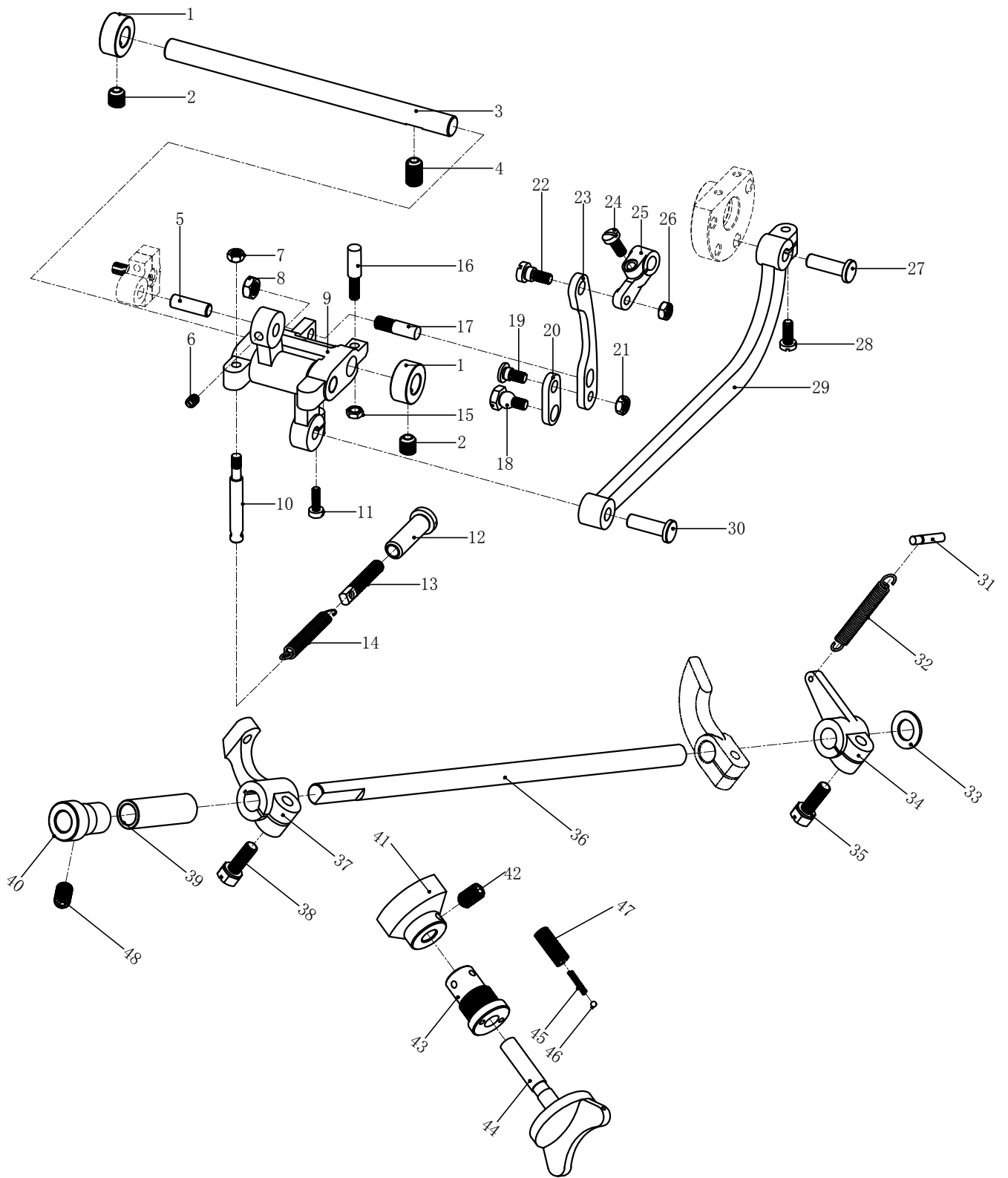
F、起菱盘摆动装置及机杆零部件

Disc Oscillating Mechanism & Knee Press Shaft Parts Components

序号 Ref.No	代号 Assemble.No	件号 Oarts.No	部件名称 Description	数量 Num
1	101F-01	K2-20	托架轴环/Disc Oscillating Rod Bracket Shaft Collar	2
2	101F-02	LD00003	托架轴环螺钉/Screw(M6×6)	2
3	101F-03	A06-15	托架轴/Disc Oscillating Rod Bracket Shaft	1
4	101F-04	LD00001	托架轴螺钉/Screw(M6×10)	1
5	101F-05	A06-09	摆杆销1/Disc Oscillating Rod Pin	1
6	101F-06	LD00178	摆杆销螺钉Screw(11/64-40×3.2)	1
7	101F-07	LM00001	弹簧栓螺母/Nut	1
8	101F-08	LM00002	连接杆螺母/Connecting Link Guide Screw Nut	1
9	101F-09	A06-07	摆杆/Disc Oscillating Rod Assembly	1
10	101F-10	A06-13	托架弹簧栓/Disc Oscillating Rod Bracket Spring Stud	1
11	101F-11	LD00528	摆杆销螺钉/Screw(9/64-40×12)	1
12	101F-12	A06-03	弹簧螺母/Disc Oscillating Rod Bracket Spring Nut	1
13	101F-13	A06-02	弹簧螺钉/Disc Oscillating Rod Bracket Spring Screw	1
14	101F-14	TH00006	摆杆托架弹簧/Disc Oscillating Rod Bracket Spring	1
15	101F-15	LM00001	凸轮螺母/Skip-Stitch Seleecting Cam Stud Nut	1
16	101F-16	A06-51	凸轮连接螺钉/Skip-Stitch Seleecting Cam Stud	1
17	101F-17	A06-24	连接杆螺钉/Connecting Link Guide Screw	1
18	101F-18	A06-31	托架连接螺钉/Crank & Link Shoulder Screw	1
19	101F-19	A06-29	小连接杆螺钉/Connecting Link Set Screw	1
20	101F-20	A06-28	小连接杆/Connecting Link (small)	1
21	101F-21	LM00008	小连接杆螺母/Connecting Link Set Screw Nut	1
22	101F-22	A06-21	曲柄轴位螺钉/Crank & Link Shoulder Screw	1
23	101F-23	A06-23	连接杆/Connecting Link (Large)	1
24	101F-24	LD00512	进料板曲柄螺钉/Screw(9/64-40×16)	1
25	101F-25	A06-19	进料板曲柄/Feed Plate Depressing Crank	1
26	101F-26	LM00008	小连接杆螺母/Connecting Link Set Screw Nut	1
27	101F-27	A06-05	连杆销/Connecting Rod Stud	1
28	101F-28	LD00503	连杆销螺钉/Screw(11/64-40×10)	1
29	101F-29	A06-04	连杆/Connecting Rod	1
30	101F-30	A06-11	摆杆销2/Disc Oscillating Rod Stud	1
31	101F-31	A06-41	限位连杆弹簧螺钉/Knee Press Stop Lever Clamp Screw	1
32	101F-32	TH00007	限位连杆弹簧/Knee Press Stop Lever Spring	1
33	101F-33	DQ00009	机轴垫圈/Knee Press Shaft Washer	1
34	101F-34	A06-38	限位连杆/Knee Press Stop Lever	1

F、起菱盘摆动装置及机杆零部件

Disc Oscillating Mechanism & Knee Press Shaft Parts Components

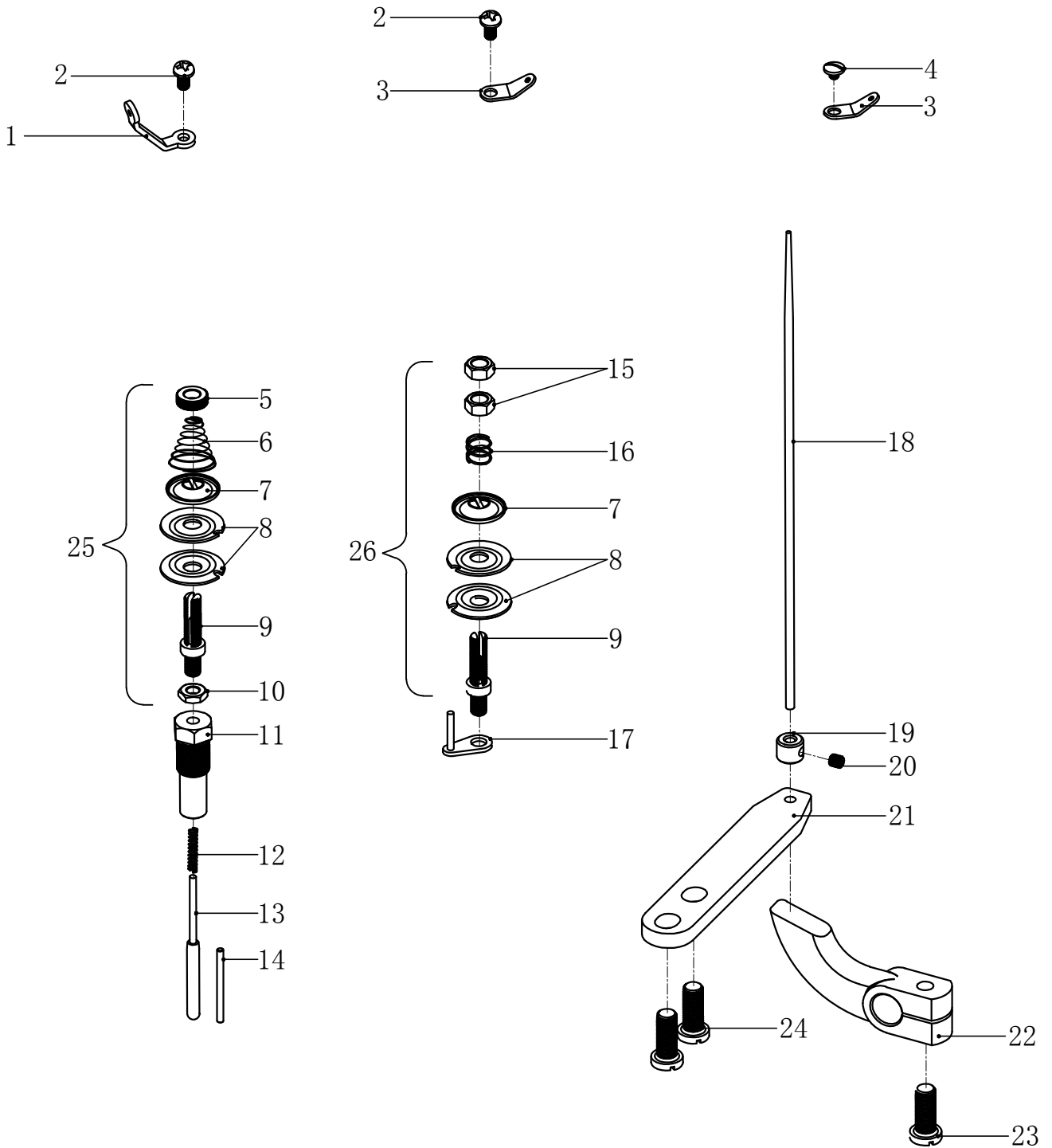


F、起菱盘摆动装置及机杆零部件

Disc Oscillating Mechanism & Knee Press Shaft Parts Components

序号 Ref.No	代号 Assemble.No	件号 Oarts.No	部件名称 Description	数量 Num
35	101F-35	LD00529	限位连杆螺钉/Screw(15/64-28×17)	1
36	101F-36	A06-36	机轴/Knee Press Shaft	1
37	101F-37	A06-26	机轴托架/Knee Press Shaft Crank	1
38	101F-38	LD00529	机轴托架螺钉/Screw(15/64-28×17)	1
39	101F-39	A06-35	机轴套管/Knee Press Shaft Sleeve	1
40	101F-40	A06-32	机轴套管/Knee Press Shaft Bushing	1
41	101F-41	A06-49	跳缝拉杆凸轮/Skip-Stitch Selecting Cam	1
42	101F-42	LD00099	凸轮螺钉/Screw(M5×8)	1
43	101F-43	A06-48	跳缝拉杆套管/Skip-Stitch Selecting Grip Bushing	1
44	101F-44	A06-44	跳缝拉杆/Skip-Stitch Selecting Grip	1
45	101F-45	TH00001	跳缝拉杆弹簧/Skip-Stitch Selecting Spring	1
46	101F-46	GZ00002	钢珠/Skip-Stitch Selecting Ball	1
47	101F-47	A06-47	跳缝拉杆螺钉/Skip-Stitch Selecting Spring Holder	1
48	101F-48	LD00003	螺钉/Screw(M6×6)	1

G、压线装置零部件
Thread Tension & Nipper Parts Components



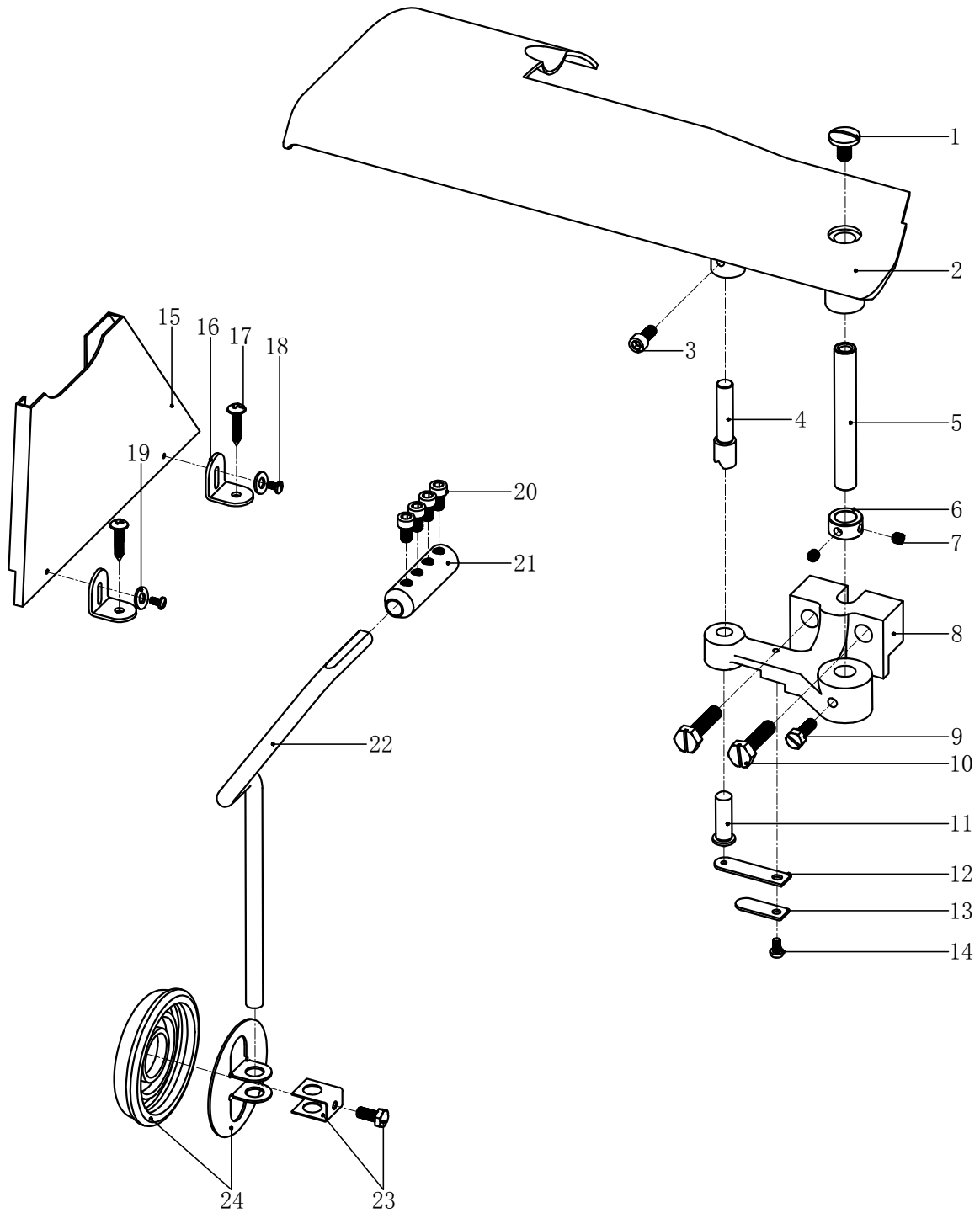
G、压线装置零部件

Thread Tension & Nipper Parts Components

序号 Ref.No	代号 Assemble.No	件号 Parts.No	部件名称 Description	数量 Num
1	101G-01	A07-01-A	引线装置/Thread Guide With Ceramic	1
2	101G-02	LD00010	引线装置螺钉/Screw(11/64-40×8)	2
3	101G-03	A07-12	引线装置/Thread Guide	2
4	101G-04	LD00530	引线装置螺钉/Screw(11/64-40×3)	1
5	101G-05	K1-29	压线螺母/Thread Tension Nut	2
6	101G-06	K1-28-B	压线弹簧/Thread Tension Spring	1
7	101G-07	A07-05	压线垫圈/Thread Tension Washer	2
8	101G-08	A07-06	压线板/Thread Tension Disc	4
9	101G-09	A07-08	压线杆/Thread Tension Staff	2
10	101G-10	LM00002	压线杆螺母/Thread Tension Staff Nut	1
11	101G-11	A07-10	压线杆螺母/Thread Tension Staff Bracket	1
12	101G-12	TH00038	夹线器弹簧/Belt Guard Spring	1
13	101G-13	A07-11	线迹松紧销/Thread Tension Releasing Pin	1
14	101G-14	A07-07	压线板挡销/Thread Tension Disc Pin	1
15	101G-15	LM00010	夹线螺母/Thread Nipper Nut	2
16	101G-16	A07-15	夹线弹簧/Thread Nipper Spring	1
17	101G-17	A07-19	线夹支柱/Thread Nipper Disc Prop	1
18	101G-18	A07-20	线夹松紧柱/Thread Nipper Releasing Pin	1
19	101G-19	A07-21	线夹松紧套筒/Thread Nipper Releasing Pin Collar	1
20	101G-20	LD00524	松紧套筒螺钉/Screw(9/64-40×4)	1
21	101G-21	A07-23	线夹松紧支柱/Thread Nipper Releasing Pin Support	1
22	101G-22	A07-25	线夹松紧钉杆/Thread Nipper Releasing Pin Lever	1
23	101G-23	LD00533	线夹松紧钉杆螺钉/Screw(15/64-28×15)	1
24	101G-24	LD00532	松紧钉支柱螺钉/Screw(15/64-28×10.8)	2
25	101G-25	A07-03/ZJ	压线杆组件/Press Pole Components	1
26	101G-26	A07-14/ZJ	线夹组件/Wire Clip Component	1

H、操作板，压杆及皮带部位的零部件

Work Plate , Knee Press & Belt Cover Parts Components

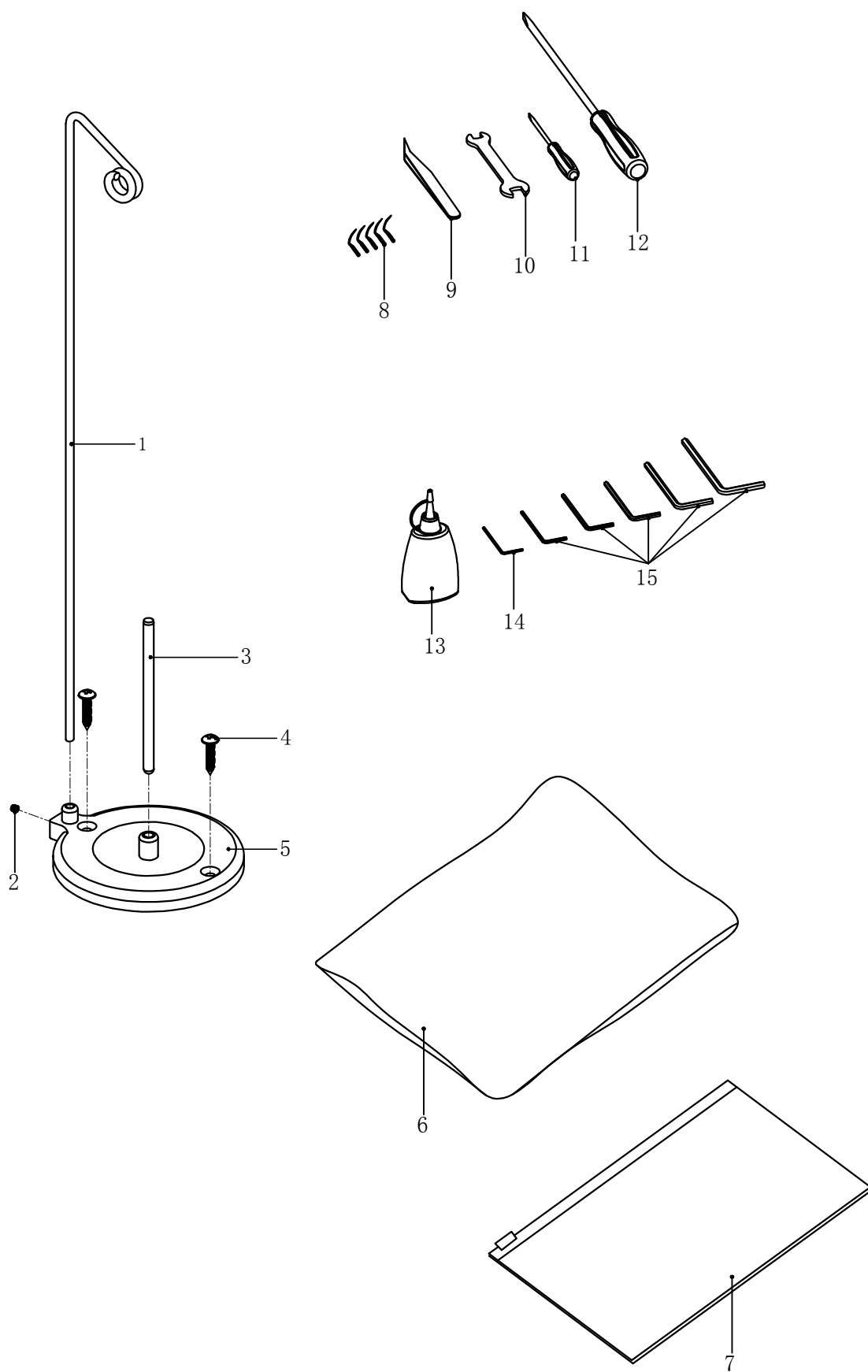


H、操作板，压杆及皮带部位的零部件

Work Plate , Knee Press & Belt Cover Parts Components

序号 Ref.No	代号 Assemble.No	件号 Parts.No	部件名称 Description	数量 Num
1	101H-01	LD00534	面板螺钉/Screw(5/16-24×13)	1
2	101H-02	A08-01	面板/Work Plate	1
3	101H-03	LD00535	面板固定销螺钉/Screw(M6×14)	1
4	101H-04	A08-02	面板固定销/Work Plate Latch	1
5	101H-05	A08-10	面板轴/Work Plate Shaft	1
6	101H-06	A08-12	面板轴套筒/Work Plate Shaft Collar	1
7	101H-07	LD00003	套筒螺钉/Screw(M6×6)	2
8	101H-08	A08-04	面板支架/Work Plate Bracket	1
9	101H-09	LD00529	面板轴螺钉/Screw(15/64-28×17)	1
10	101H-10	LD00536	面板支架固定螺钉/Screw(5/16-24×32)	2
11	101H-11	A08-05	面板支架弹簧销/Work Plate Bracket Spring Pin	1
12	101H-12	A08-06	面板支架长弹簧片/Work Plate Bracket Leaf Spring (long)	1
13	101H-13	A08-07	面板支架短弹簧片/Work Plate Bracket Leaf Spring (short)	1
14	101H-14	LD00010	螺钉/Screw (11/64-40×8)	1
15	101H-15	A01-09	皮带罩/Belt Cover	1
16	101H-16	A08-22	皮带罩托架/Belt Cover Bracket	2
17	101H-17	F J8-15-1	皮带罩木螺钉/Belt Cover Wood Screw	2
18	101H-18	LD00537	皮带罩托架螺钉/Screw(9/64-40×7)	2
19	101H-19	DQ00005	针板支架垫圈/Spring Washer	2
20	101H-20	LD00418	压杆套筒螺钉/Screw(M6×10)	4
21	101H-21	F J9-15	压杆套筒/Work Press Rod Sleeve	1
22	101H-22	F J7-21	压杆/Knee Press Rod	1
23	101H-23	F J7-26	压板组件/Clamp Component	1
24	101H-24	F J7-22	靠膝橡皮/By Knee Rubber	1

I、标准附件
Standard Accessories

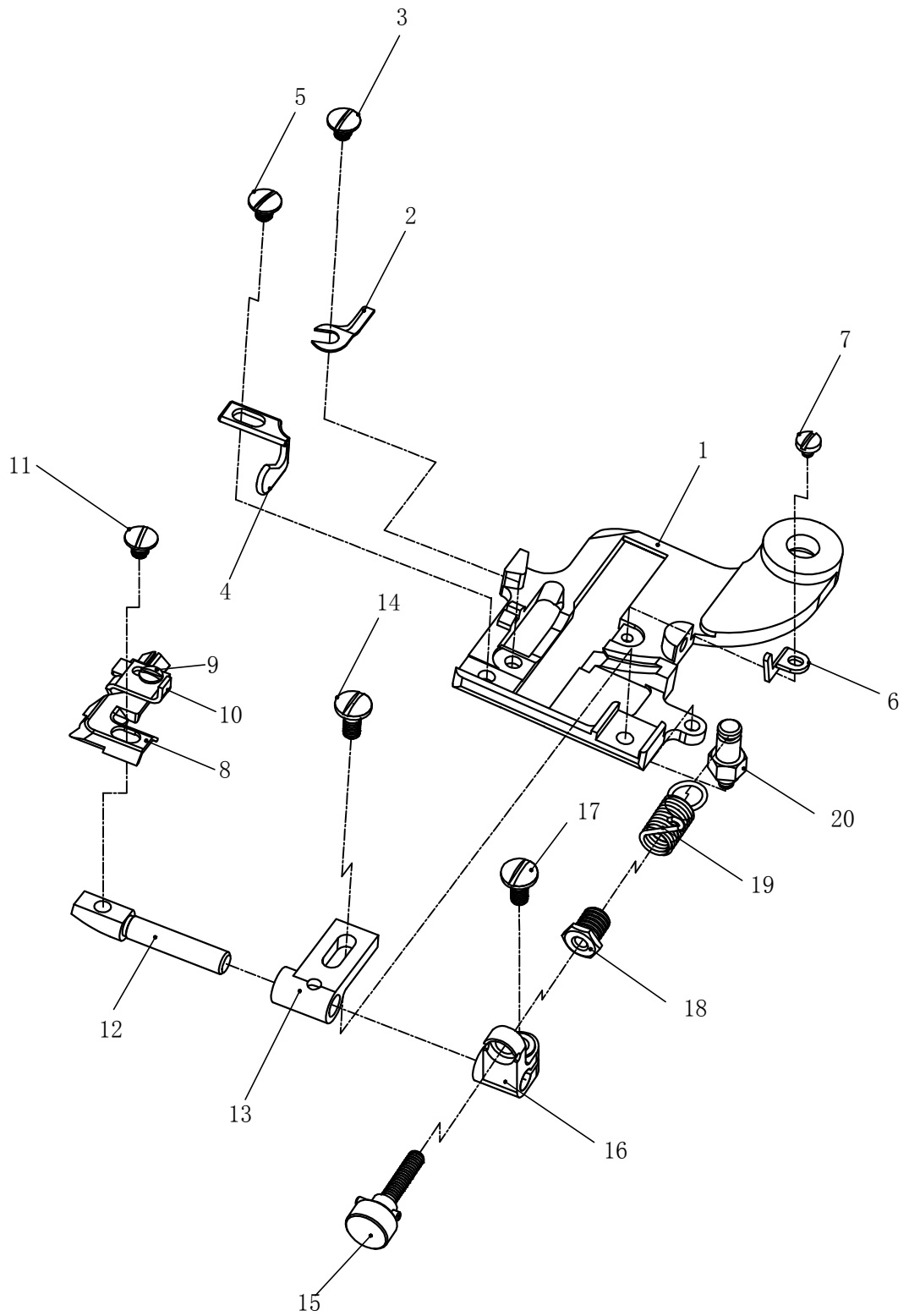


I、标准附件

Standard Accessories

序号 Ref.No	代号 Assemble.No	件号 Parts.No	部件名称 Description	数量 Num
1	101I-01	FJ4-15	引线装置/Thread Guide	1
2	101I-02	LD00004	引线装置螺钉/Screw(M4×4)	1
3	101I-03	FJ1-40	线轴销/Spool Pin	1
4	101I-04	FJ1-16	线底座木螺钉/Cotton Stand Base Wood Screw	2
5	101I-05	FJ4-15-1	线轴底座/Cotton Stand Base	1
6	101I-06	FJ9-3	套机袋/Belt Guard Nut	1
7	101I-07	FJ-D-12	工具袋/Belt Guard Screw	1
8	101I-08	BZ1-13	机针 (11 LWX6T) /Needle(System 11 LWX6T)	1
9	101I-09	FJ4-8	镊子/Side Bar Bolt M4	1
10	101I-10	FJ4-3	呆扳手/Side Bar	1
11	101I-11	FJ8-8	螺丝刀 (小) /Screw Driver (Small)	1
12	101I-12	FJ8-6	螺丝刀 (大) /Screw Driver (Large)	1
13	101I-13	FJ7-28	小油壶/Rubber Cushion	1
14	101I-14	FJ4-10	内六角扳手1.5/Machine Frame Set Washer	1
15	101I-15	FJ4-11	内六角扳手2-5/Machine Frame Set Washer	1

J、型号C M - 1 0 1 - H 附加零部件
Work Plate , Knee Press & Belt Cover Parts Components



J、型号C M - 1 0 1 - H 附加零部件

Work Plate , Knee Press & Belt Cover Parts Components

序号 Ref.No	代号 Assemble.No	件号 Parts.No	部件名称 Description	数量 Num
1	101J-01	H4-26	针板/Needle Guide	1
2	101J-02	K3-58	导布板/Stitch Stabilizing Guide	1
3	101J-03	LD00521	导布板螺钉/Screw(9/64-40×2.3)	1
4	101J-04	A11-05	引边装置/Edge Guide	1
5	101J-05	LD00540	引边装置螺钉/Screw(9/64-40×2.3)	1
6	101J-06	K3-56	链指针/Chaining Finger	1
7	101J-07	LD00522	链指针螺钉/Screw(3/32-56×2.5)	1
8	101J-08	E11-07	挡料挡板/Cloth Retainer	1
9	101J-09	LD00522	螺钉/Screw(3/32-56×2.5)	1
10	101J-10	E11-07	挡料挡板/Cloth Retainer	1
11	101J-11	LD00540	挡料挡板螺钉/Screw(9/64-40×2.3)	1
12	101J-12	A11-09	布料挡板柄/Cloth Retainer Holer	1
13	101J-13	A11-10	布料挡板托架/Cloth Retainer Bracket	1
14	101J-14	LD00541	布料挡板托架螺钉/Screw(M10×25)	1
15	101J-15	A11-13	布料挡板弹簧调整螺钉/Screw	1
16	101J-16	A11-14	弹簧调整螺钉支柱/Cloth Retainer Spring Adjusting Screw Prop	1
17	101J-17	LD00508	支柱螺钉/Screw(9/64-40×7.7)	1
18	101J-18	A11-16	布料挡板弹簧套管/Cloth Retainer Spring Bushing	1
19	101J-19	A11-12	布料挡板弹簧/Cloth Retainer Spring	1
20	101J-20	A11-17	布料挡板弹簧钉/Cloth Retainer Spring Pin	1