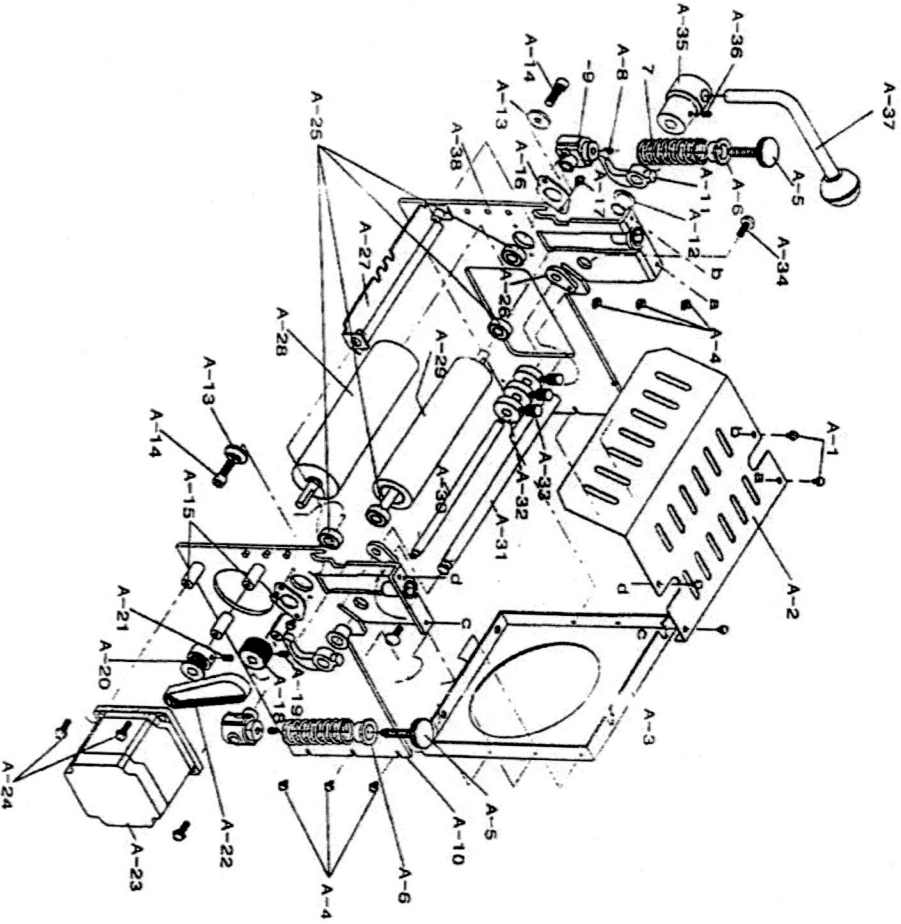


SPARE PARTS

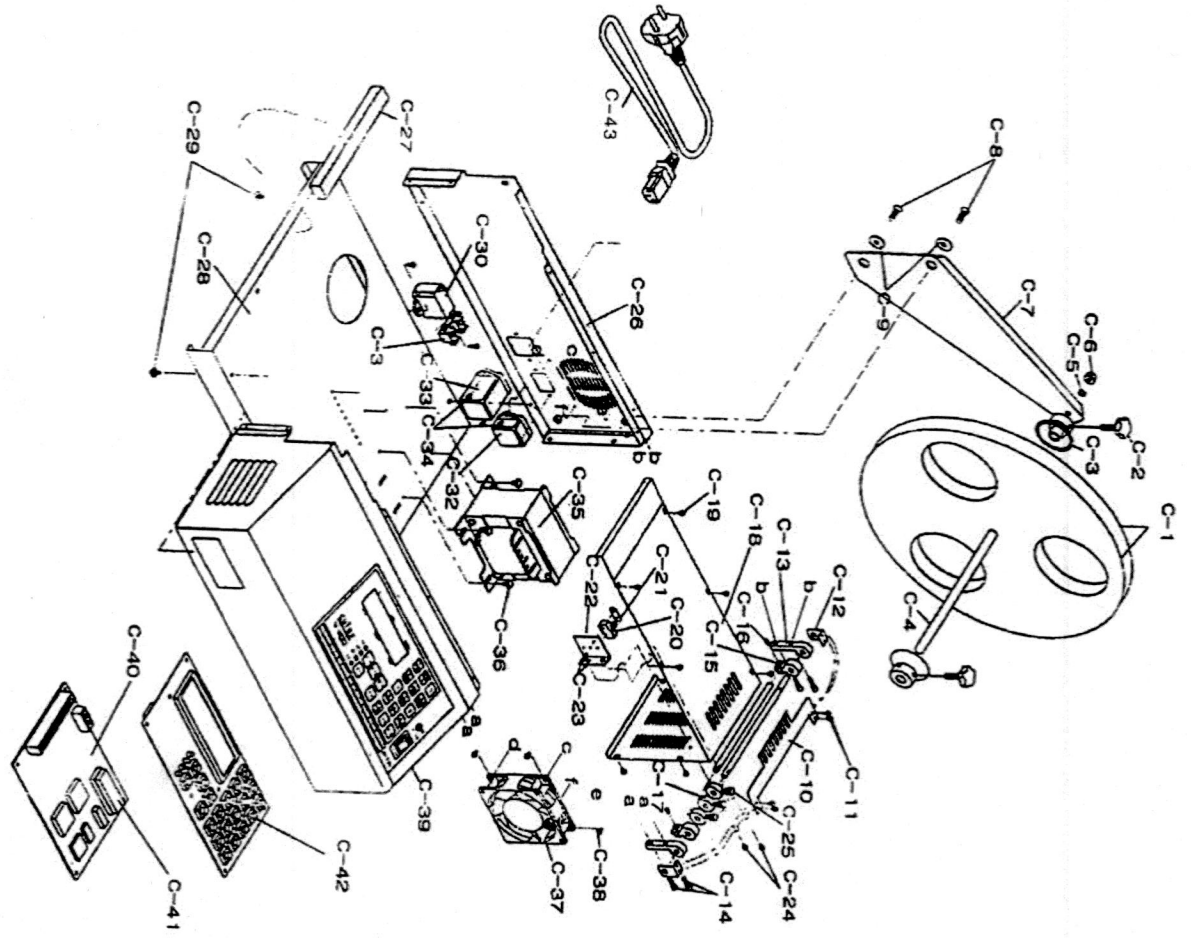


SPARE PARTS

Part No.	Description	Part No.	Description
A-1	clamping bolt (M3x5L)	A-21	detent screw (M3x5L)
A-2	knife safety cover	A-22	timing belt (MxL75)
A-3	space plate of roller bracket	A-23	stepping motor
A-4	clamping bolt (M3x5L)	A-24	clamping bolt (M4x15L)
A-5	pressure-control bolt	A-25	ball bearing (#696)
A-6	pressure-control spring cover	A-26	guide-clamping bracket
A-7	pressure-control spring	A-27	stopper
A-8	detent screw (M4x6L)	A-28	lower roller
A-9	slide block of upper roller	A-29	upper roller
A-10	right roller bracket	A-30	front-guide pin
A-11	slide lever	A-31	lever shaft
A-12	oilless	A-32	guide ring
A-13	clamping washer	A-33	knob bolt of guide ring
A-14	wrench bolt (M4x15L)	A-34	roud screw (M4x5L)
A-15	the bar of stepping motor	A-35	lever bracket
A-16	bearing cover	A-36	detent screw (M5x5L)
A-17	clamping bolt (M3x5L)	A-37	lever
A-18	feed-timing gear	A-38	right roller bracket
A-19	detent screw (M4x6L)		
A-20	drive-timing gear		

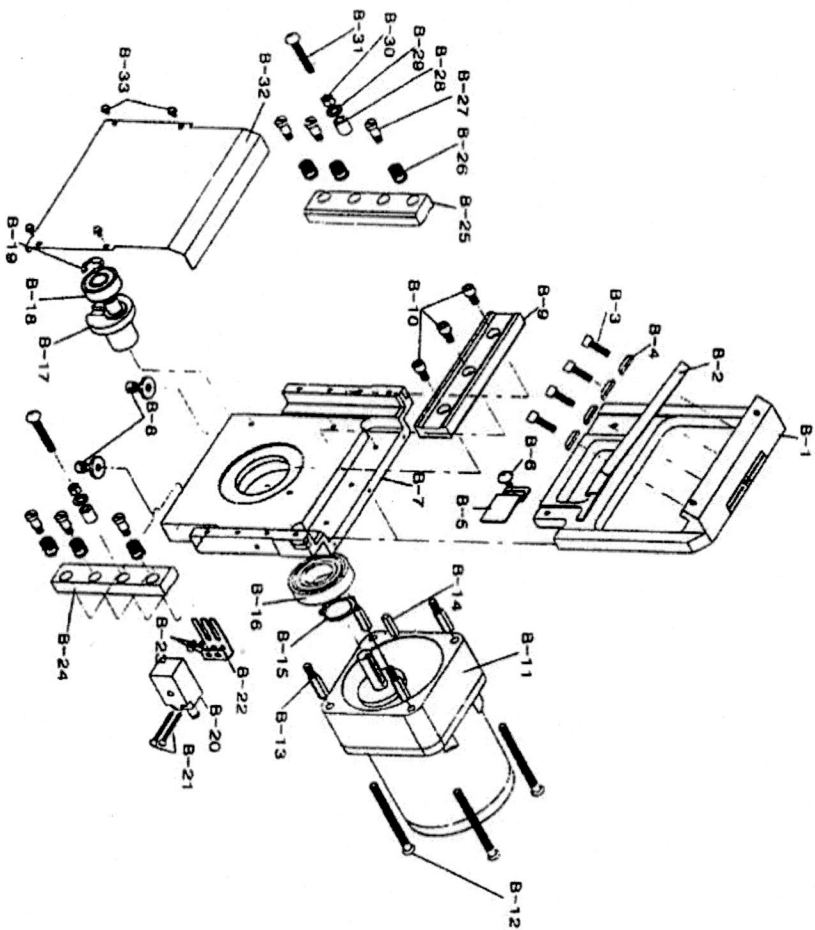
SPARE PARTS

SPARE PARTS



Part No.	Description	Part No.	Description
C-1	roll-hanger wheel	C-23	damping bolt (M2x10L)
C-2	damping bolt of holder	C-24	damping bolt (M3x5L)
C-3	holder	C-25	knob bolt
C-4	roll-hanger shaft	C-26	back cover
C-5	roll-hanger shaft washer	C-27	sponge
C-6	check nut (M6)	C-28	base
C-7	roll-hanger	C-29	damping bolt (M4x10L)
C-8	flat-head bolt (M6x15L)	C-30	condenser
C-9	neck washer of roll-hanger	C-31	terminal
C-10	existence detector	C-32	AC connector (OUT-PUT)
C-11	damping bolt (M3x15L)	C-33	AC connector (IN-PUT)
C-12	damping bracket	C-34	damping bolt (M3x5L)
C-13	rear guide-pin bracket	C-35	transformer
C-14	wrench bolt (M4x15L)	C-36	damping bolt (M4x6L)
C-15	rear tension-guide block	C-37	cooling fan
C-16	detent screw (M4x6L)	C-38	damping bolt (M3x5L)
C-17	guide ring	C-39	control cover
C-18	upper guide plate	C-40	control circuit board (MB)
C-19	damping bolt (M3x5L)	C-41	ROM
C-20	micro limit switch	C-42	operation board
C-21	plate-nut	C-43	out connect plug
C-22	limit switch bracket		

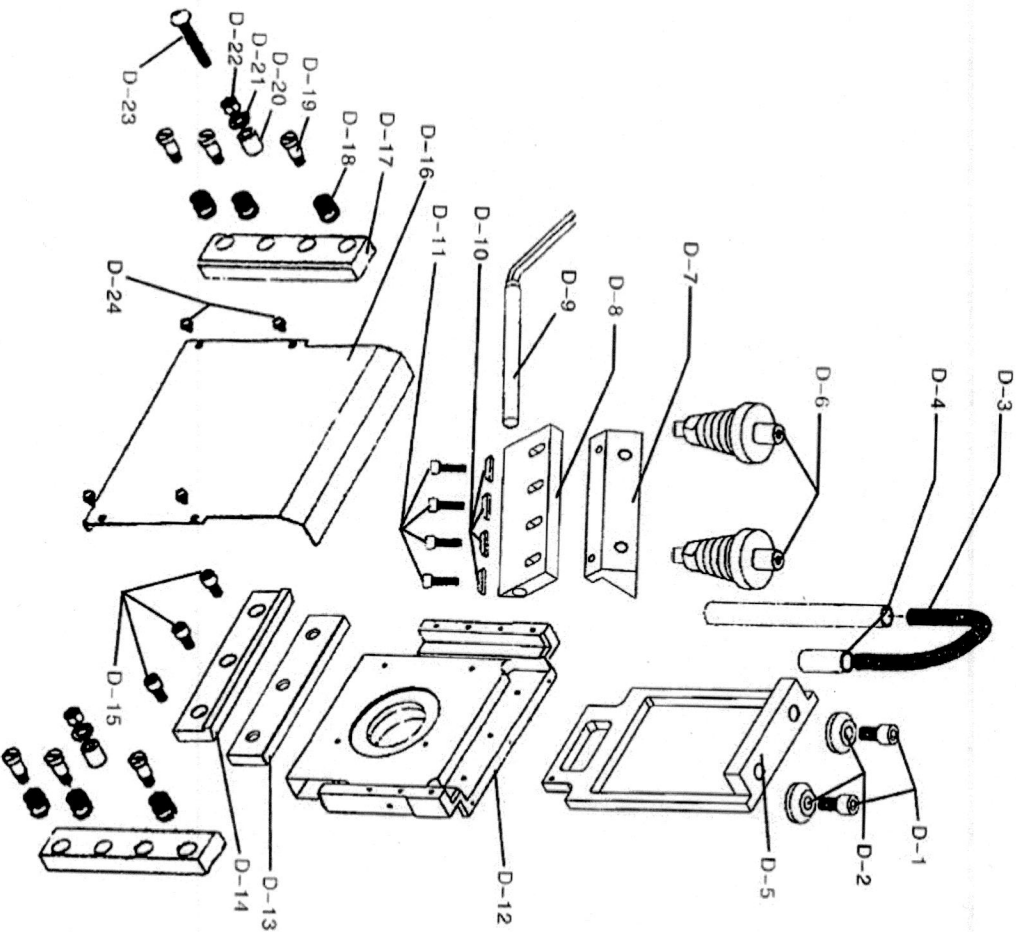
(COLD) SPARE PARTS



(COLD) SPARE PARTS

Part No.	Description	Part No.	Description
B-1	upper knife case	B-21	damping bolt (M3x20L)
B-2	upper knife case	B-22	damping bracket
B-3	wrench bolt (M5x15L)	B-23	damping bolt (M3x15L)
B-4	neck washer	B-24	right pressure plate
B-5	couling-sensor bracket	B-25	left pressure plate
B-6	clamping bolt (M4x6L)	B-26	pressure spring
B-7	lower knife case	B-27	damping bolt of pressure plate
B-8	wrench bolt (M5x15L)	B-28	urethane bush
B-9	lower knife	B-29	tension-control washer
B-10	wrench bolt (M5x10L)	B-30	tension-control nut
B-11	motor+reduction gear	B-31	damping bolt (M5x30L)
B-12	clamping bolt (M5x42L)	B-32	front cover
B-13	motor supporter	B-33	clamping bolt (M3x5L)
B-14	motor key		
B-15	snap ring		
B-16	ball bearing (#6004)		
B-17	crank bundle		
B-18	ball bearing (#6000)		
B-19	E-ring		
B-20	couling sensor		

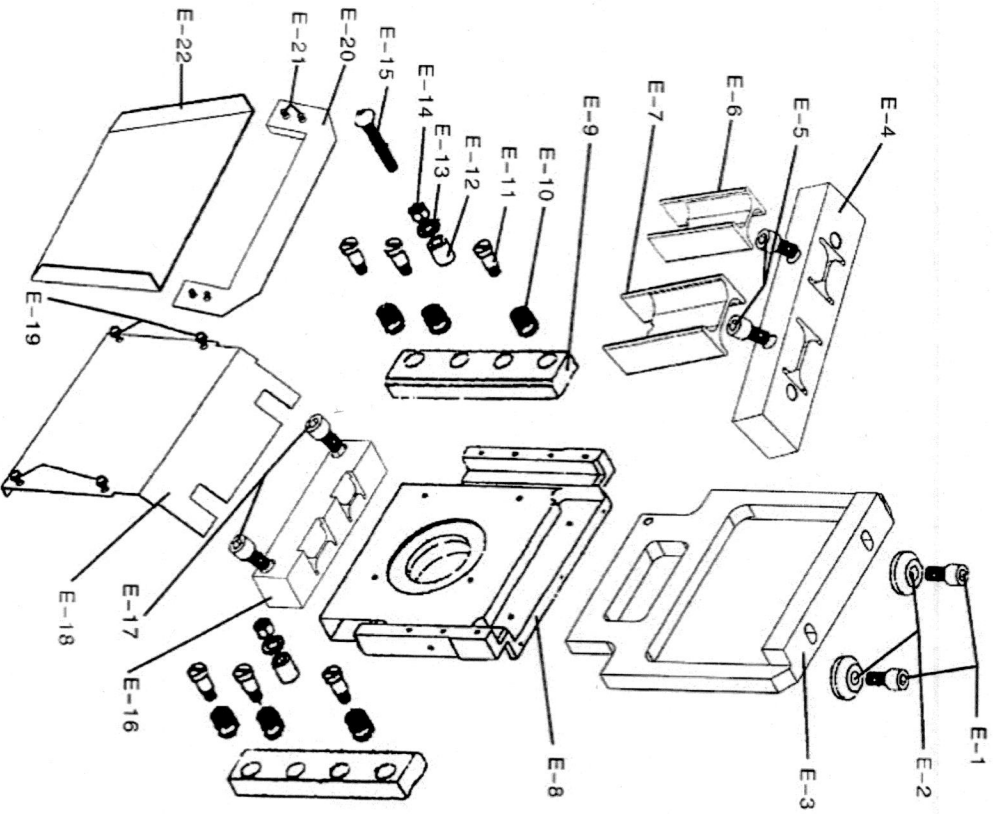
(COLD & HOT) SPARE PARTS



(COLD & HOT) SPARE PARTS

Part No.	Description	Part No.	Description
D-1	bolt M8x28	D-21	washer
D-2	washer	D-22	but
D-3	heating spring	D-23	bolt M5x30
D-4	heating spring	D-24	bolt M3x5
D-5	upper knife holder		
D-6	knife holder		
D-7	knife fixed block		
D-8	upper knife		
D-9	heating tube		
D-10	washer		
D-11	bolt M5x15		
D-12	lower knife holder		
D-13	lower knife packing block		
D-14	lower knife		
D-15	bolt M5x15		
D-16	bed plate		
D-17	guide way plate		
D-18	spring		
D-19	T-shape bolt		
D-20	pressing sleeve		

ROUND SPARE PARTS



ROUND SPARE PARTS

Part No.	Description	Part No.	Description
E-1	bolt M6x30	E-21	bolt M3x5
E-2	washer	E-22	material guide plate
E-3	upper knife holder		
E-4	upper cutting die soleplate		
E-5	bolt M6x12		
E-6	upper cutting die (1.5/1.0)		
E-7	upper cutting die (2.0/2.5)		
E-8	lower knife holder		
E-9	guide way plate		
E-10	spring		
E-11	T-shape bolt		
E-12	pressing sleeve		
E-13	washer		
E-14	nut		
E-15	bolt M5x30		
E-16	lower cutting die		
E-17	bolt M6x32		
E-18	front cover		
E-19	bolt M3x5		
E-20	baffle		

**AUTO CUTTING MACHINE
CIRCUIT DIAGRAM**

