

Parts Drawing

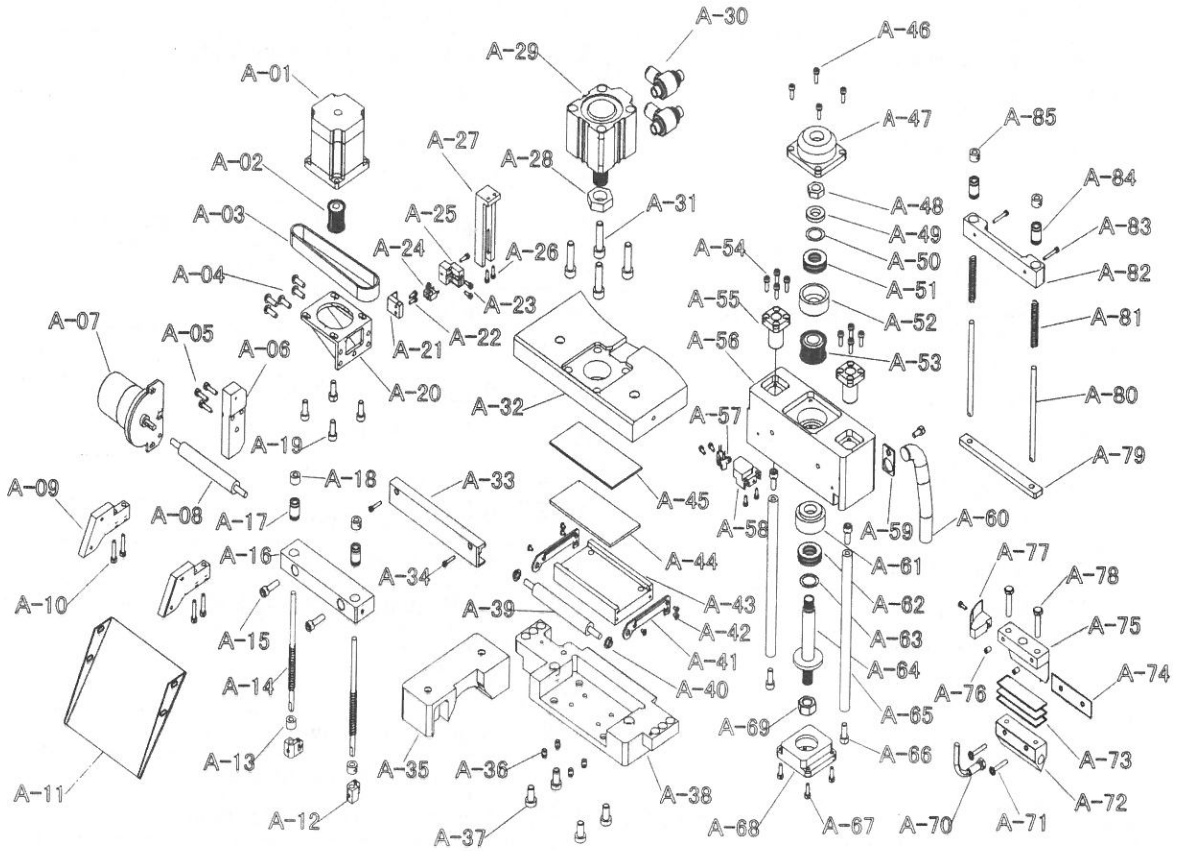


Fig. I

Parts Drawing Fig. 1			
Drawing No.	Name	Drawing No.	Name
A-1	Stepping motor of rotating knife	A-51	Plane bearing
A-2	Pinion of rotating knife	A-52	Shaft sleeve
A-3	Synchronous belt of rotating knife	A-53	Large gear of rotating blade
A-4	M5 screw	A-54	M4 screw
A-5	M4 screw	A-55	Shaft sleeve
A-6	DC motor frame	A-56	Rotating knife rest
A-7	DC motor	A-57	Trough type sensor
A-8	Bottom roller	A-58	Sensor rack
A-9	Material sliding plate rack	A-59	Fixed piece of wiring tube
A-10	M4 screw	A-60	Spring

A-11	Material sliding plate	A-61	Shaft sleeve
A-12	Shaft clamping bracket	A-62	Plane bearing
A-13	Retaining ring	A-63	Corrugated gasket
A-14	Vertical shaft	A-64	Bracket axle of rotating knife
A-15	M4 screw	A-65	Fixed axle
A-16	Guide frame of roller	A-66	M6 screw
A-17	Retaining ring	A-67	M4 screw
A-18		A-68	Bottom cover plate of rotating knife rest
A-19	M5 screw	A-69	Fixed nut of knife holder
A-20	Motor frame of rotating knife	A-70	Thermal couple
A-21	Baffle plate	A-71	M4 screw
A-22	M3 screw	A-72	Rotating knife blade
A-23	M3 screw	A-73	Thermal baffle
A-24	Trough type sensor	A-74	Rear thermal baffle
A-25	Fixing plate of sensor	A-75	Rotating knife holder
A-26	M3 screw	A-76	Socket head cap screw
A-27	Sensor seat	A-77	Baffle plate of rotating knife sensor
A-28	Cylinder nut	A-78	M6 screw
A-29	Cylinder of cutting knife	A-79	Material pressing plate
A-30	Throttle valve	A-80	Material pressing plate axle
A-31	M10 screw	A-81	Material pressing plate spring
A-32	Support plate of cutting knife cylinder	A-82	Material pressing plate frame
A-33	Wire slot	A-83	M3 screw
A-34	M3 screw	A-84	Linear bearing
A-35	Pulley cover	A-85	Retaining ring
A-36	Socket head cap screw		
A-37	M10 screw		
A-38	Lower knife platform		
A-39	Upper roller		
A-40	Shaft sleeve		
A-41	Side cover of support		
A-42	M4 screw		
A-43	Heating plate support		
A-44	Oxford filler strip		
A-45	Heating plate		
A-46	M5 screw		
A-47	Upper cover plate of rotating knife rest		
A-48	Nut		
A-49	Gasket		
A-50	Corrugated gasket		

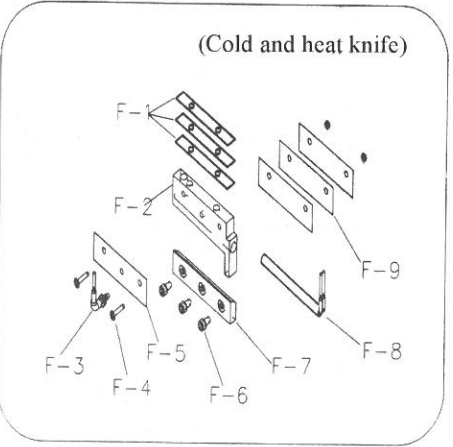
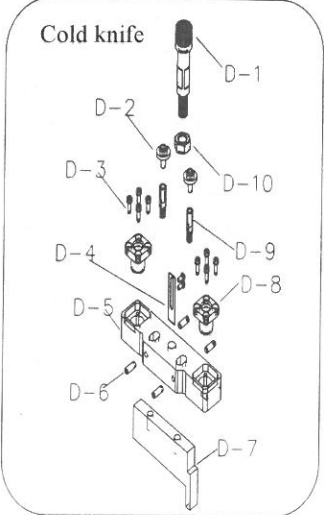
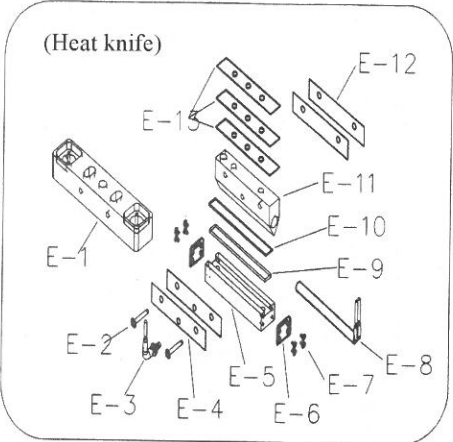
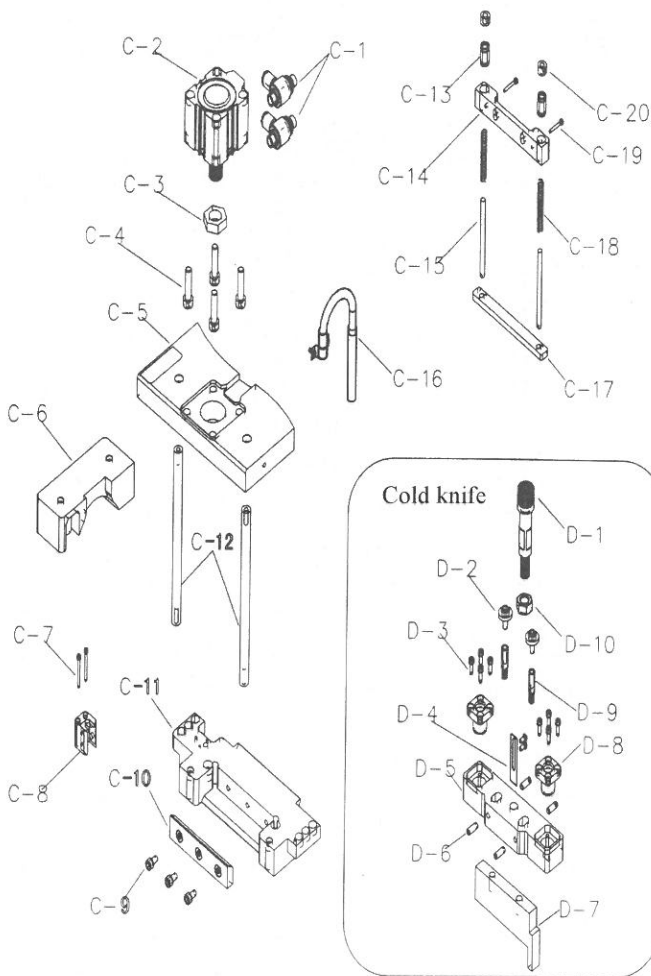


Fig. II

Parts Drawing Fig. II

Drawing No.	Name	Drawing No.	Name
C-1	Throttle valve	G-9	Upper thermal baffle
C-2	Cutting knife cylinder	G-10	Top knife blade of cold and heat knife
C-3	Cylinder nut	G-11	Thermal couple
C-4	M8 screw	G-12	M4 screw
C-5	Support plate of cutting knife cylinder	G-13	Thermal baffle
C-6	Pulley cover	Cold and hot knife H	
C-7	M3 screw	H-1	Upper thermal baffle
C-8	Sensor seat	H-2	Top knife blade of cold and heat knife
C-9	M5 screw	H-3	Thermal couple
C-10	Bottom knife blade	H-4	M4 screw
C-11	Bottom knife platform	H-5	Thermal baffle
C-12	Fixed axle	H-6	M5 screw
C-13	Linear bearing	H-7	Bottom knife blade of cold and heat knife
C-14	Material pressing plate frame	H-8	Heating tube
C-15	Material pressing plate axle	H-9	Rear thermal baffle
C-16	Wiring tube + spring		
C-17	Retaining ring		
C-18	M3 screw		
C-19	Material pressing plate spring		
C-20	Material pressing plate		
Cold knife F			
F-1	M6 screw + gasket		
F-2	M4 screw		
F-3	Sensor chip		
F-4	Cold knife rest		
F-5	Socket head cap screw		
F-6	Connecting rod of knife rest		
F-7	Nut		
F-8	Blade screw		
F-9	Sliding sleeve		
F-10	Top knife blade		
Heat knife			
G-1	Heat knife rest		
G-2	M4 screw		
G-3	Thermal couple		
G-4	Front thermal baffle		
G-5	Heating plate support		
G-6	Side cover of support		
G-7	M3 screw		
G-8	Heating tube		

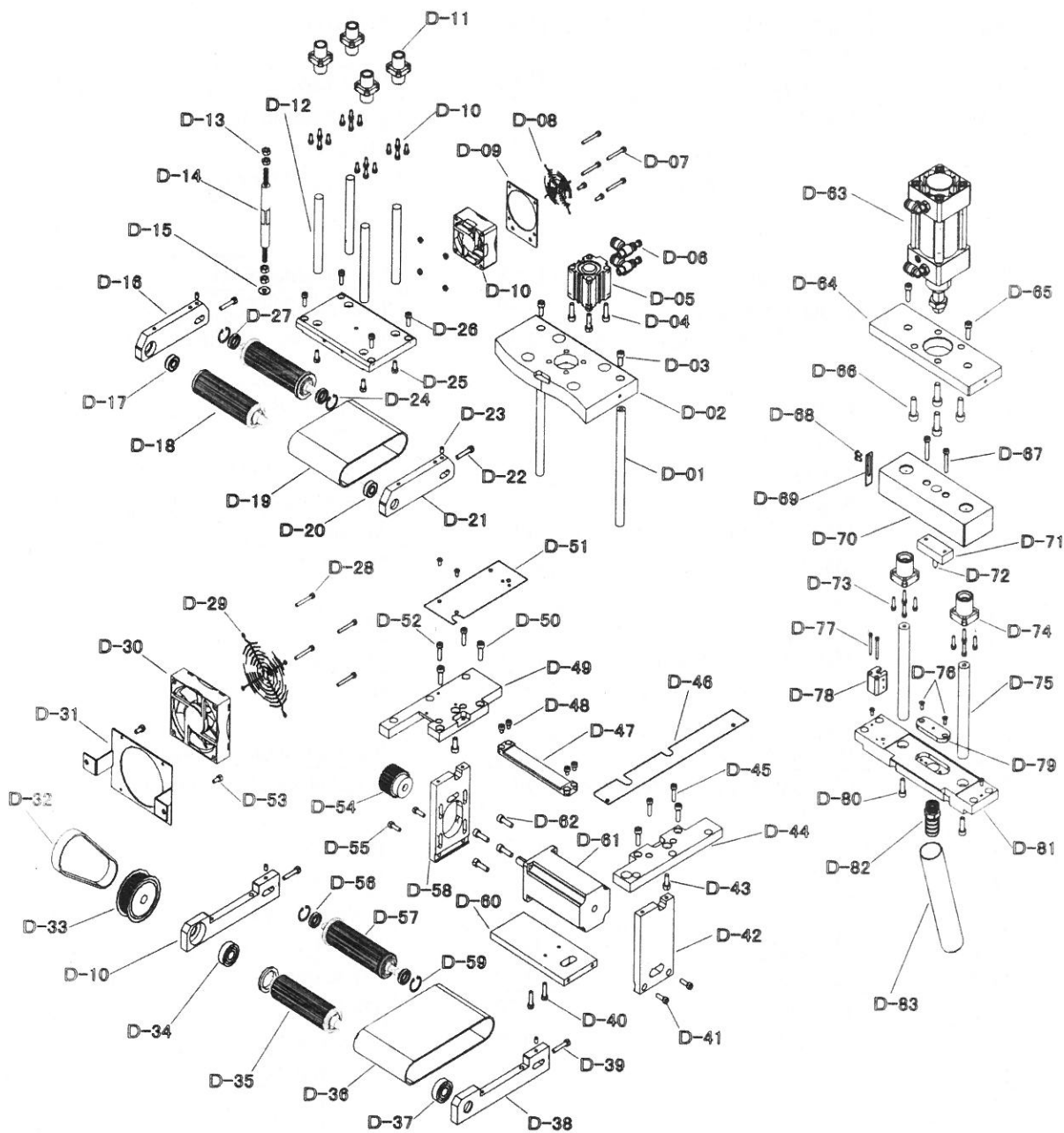


Fig. III

Parts Drawing Fig. III

Drawing No.	Name	Drawing No.	Name
D-1	Fixed axle	D-51	Middle cover plate
D-2	Support plate of cutting knife cylinder	D-52	M3 screw
D-3	M10 screw	D-53	M4 screw
D-4	M8 screw	D-54	Lower synchronous gear
D-5	Material pressing cylinder	D-55	M6 screw
D-6	Throttle valve of material pressing cylinder	D-56	Bearing 6099ZZ
D-7	M4 screw	D-57	Feeding wheel
D-8	6×6 fan net	D-58	Left cylinder block
D-9	Fixed frame of fan	D-59	Bearing 6099ZZ
D-10	6×6 fan or feeding wheel frame (left)	D-60	Fixing plate of cylinder block
D-11	Fixing sleeve	D-61	Stepper motor
D-12	Fixed axle	D-62	M6 screw
D-13	M6 nut	D-63	Punching cylinder
D-14	Regulating shaft	D-64	Punching cylinder frame
D-15	M6 nut (left-hand thread)	D-65	M6 screw
D-16	Material pressing wheel frame (left)	D-66	M8 screw
D-17	Bearing 6900ZZ	D-67	M6 screw
D-18	Material pressing wheel	D-68	M3 screw
D-19	Material pressing synchronous belt	D-69	Backup plate
D-20	Bearing 6900ZZ	D-70	Flexible mount of punching
D-21	Material pressing wheel frame (right)	D-71	Fixed block of punching pin
D-22	M5 screw	D-72	Punching pin
D-23	M5 socket head cap screw	D-73	M4 screw
D-24	Bearing 608ZZ	D-74	Sliding sleeve
D-25	M5 screw	D-75	Fixed axle
D-26	M5 screw	D-76	M4 screw
D-27	Bearing 608ZZ	D-77	M3 screw
D-28	M4 screw	D-78	Sensor seat
D-29	Fan net	D-79	Bottom punching die
D-30	9×9 fan	D-80	M6 screw
D-31	Fixed frame of fan	D-81	Punching frame
D-32	Synchronous belt	D-82	Waste outlet
D-33	Upper synchronous gear	D-83	Waste guide tube
D-34	Bearing 6201ZZ		
D-35	Feeding wheel		
D-36	Feeding synchronous belt		
D-37	Bearing 6201ZZ		
D-38	Feeding wheel frame (right)		
D-39	M5 screw		

D-40	M6 screw		
D-41	M6 screw		
D-42	Right cylinder block		
D-43	M5 screw		
D-44	Belt feeding frame base (right)		
D-45	M5 screw		
D-46	Front cover plate		
D-47	Fixed block		
D-48	M5 screw		
D-49	Belt feeding frame base (left)		
D-50	M5 screw		

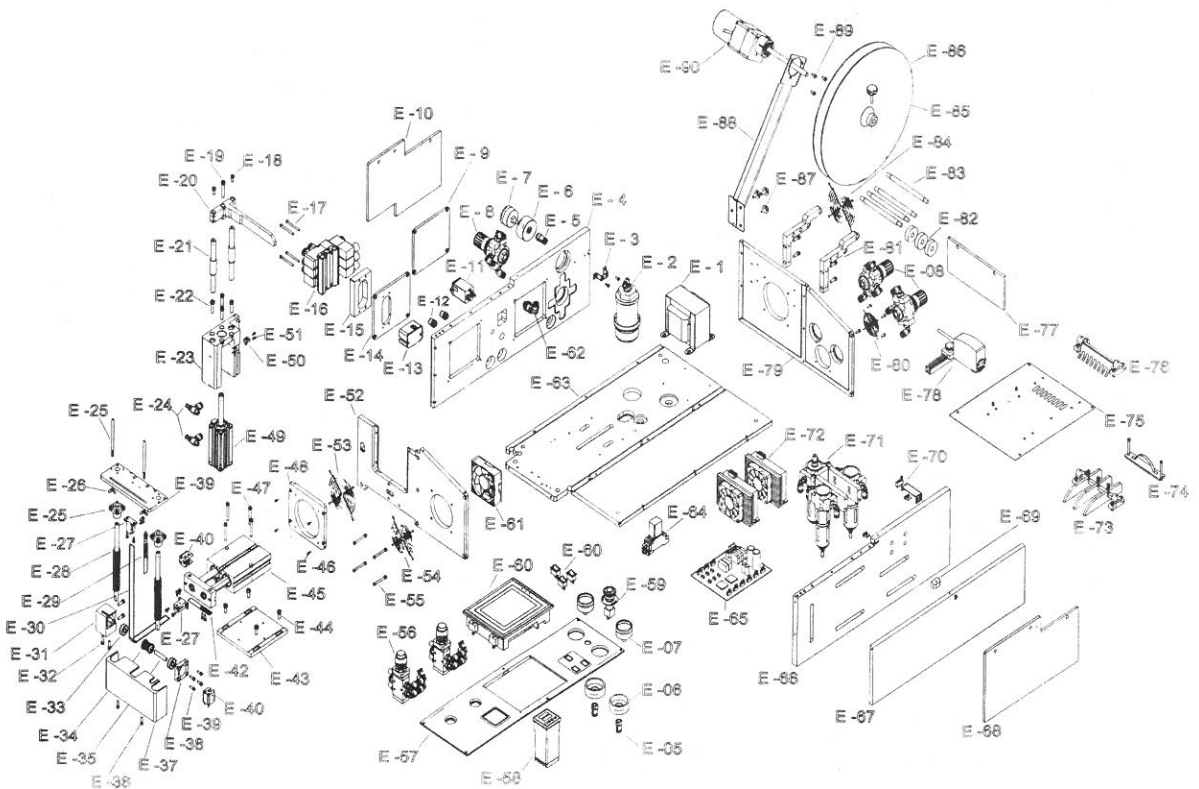


Fig. IV

Parts Drawing Fig. IV

Drawing No.	Name	Drawing No.	Name
E-1	Transformer	E-51	M3 screw
E-2	Noise reducer	E-52	Front cover
E-3	Fixing plate of noise reducer	E-53	Filter screen
E-4	Left plate	E-54	Filter screen
E-5	Barometer joint	E-55	M4 screw
E-6	Fixing cover of barometer	E-56	Mechanical valve
E-7	Barometer	E-57	Panel
E-8	Pressure regulating valve	E-58	Temperature controller
E-9	Oil cap	E-59	Emergency stop switch
E-10	Organic glass left	E-60	Switch
E-11	Wave filter	E-61	Fan
E-12	Air plug	E-62	Air pipe joint
E-13	LED lamp	E-63	Base plate
E-14	Fixing plate of solenoid valve	E-64	Relay
E-15	Solenoid valve cushion	E-65	Circuit board
E-16	Solenoid valve + manifold block	E-66	Intermediate late
E-17	M4 screw	E-67	Right cover
E-18	M5 screw	E-68	Organic glass (right)
E-19	M6 screw	E-69	Fixed block of panel
E-20	Material pressing plate	E-70	Travel switch
E-21	Fixed axle of material pressing	E-71	Filter flask + oil bottle
E-22	M6 screw	E-72	Driver board
E-23	Fixed frame of material receiving cylinder	E-73	Material stopping plate
E-24	Throttle valve	E-74	Material flow pressing plate
E-25	Material stopping axle	E-75	Upper cover plate
E-26	Butterfly screw	E-76	Pressing plate
E-27	Fixed frame of material pressing belt	E-77	Organic glass (rear)
E-28	Material pressing compression spring	E-78	Color code sensor
E-29	Material pressing stop plate	E-79	Rear cover
E-30	Material pressing belt	E-80	Pressure regulating valve
E-31	Material pressing gear holder	E-81	Baffle plate block
E-32	M4 screw	E-82	Retaining ring
E-33	Bearing 628ZZ	E-83	Belt flow axle
E-34	Material pressing gear	E-84	Fan net
E-35	Material pressing gear shaft	E-85	Baffle disc
E-36	M4 screw	E-86	
E-37	Material pressing protective cover	E-87	M4 screw
E-38	Material pressing gear cover	E-88	Discharge arm of belt feeder
E-39	M4 screw	E-89	M5 screw
E-40	Sensor fixed frame, transverse	E-90	Belt-undoing motor
E-41	Fixed frame of sensor		
E-42	Baffle plate of material sensor		
E-43	Fixed frame of material receiving cylinder		
E-44	M5 screw		
E-45	Material receiving cylinder		
E-46	M4 screw		
E-47	M5 screw		
E-48	Filter screen frame		
E-49	Material pressing cylinder		
E-50	Trough type sensor		