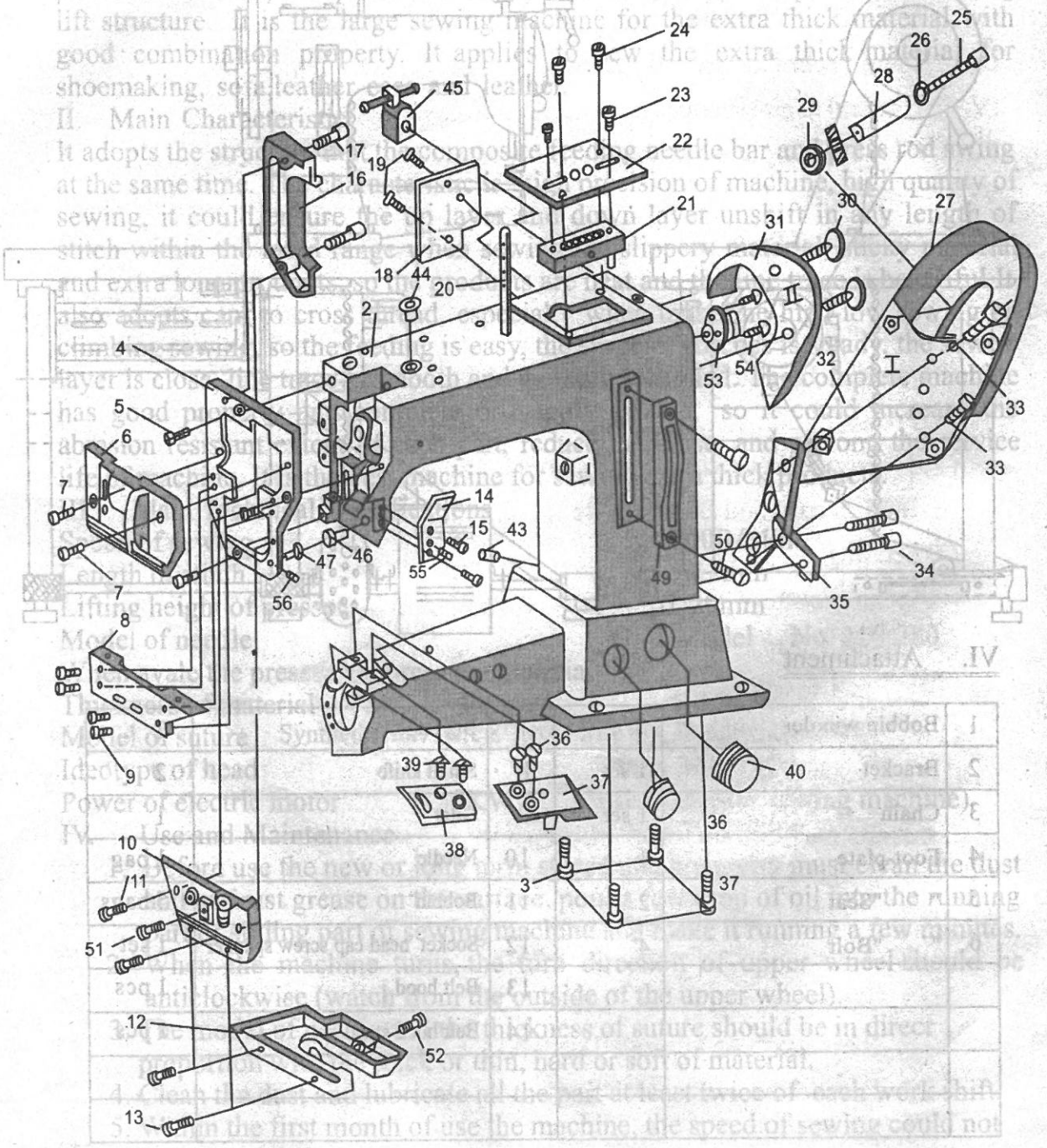


1. Body Unit

(GA-205 Large Sewing Machine for Thick Material) adopts single needle and pendulum bobbin, composite feeding lam cross thread and presser alternating lift structure. It is the large sewing machine for the extra thick material with good combination property. It applies to sew the extra thick material for shoemaking, sofa leather and leather.

II. Main Characteristics

It adopts the structure of composite feeding lam cross thread and presser alternating lift structure at the same time. It is suitable for sewing the extra thick material. It can sew the material with thickness within the range of 2-10mm. It is suitable for sewing the material with thickness within the range of 2-10mm. It is suitable for sewing the material with thickness within the range of 2-10mm.

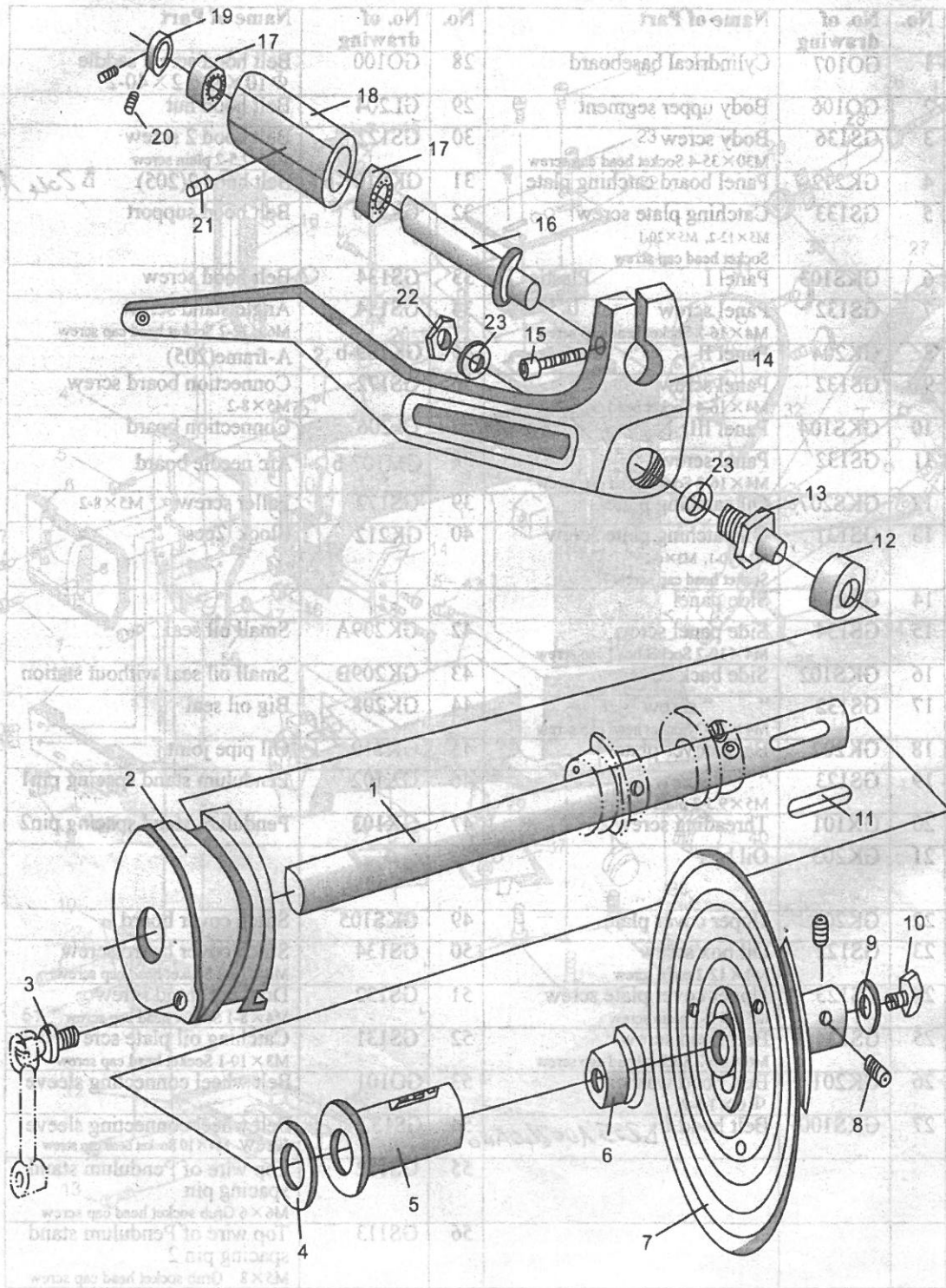


I. Body Unit

No.	No. of drawing	Name of Part	No.	No. of drawing	Name of Part
1	GO107	Cylindrical baseboard	28	GO100	Belt hood screw saddle Φ 10× Φ 6.2× 40-2
2	GQ106	Body upper segment	29	GL204	Belt hood nut
3	GS136	Body screw M30×35-4 Socket head cap screw	30	GS122	Belt hood 2 screw M4×7.5-2 plain screw
4	GK212	Panel board catching plate	31	GKS101-b	Belt hood 2(205) <i>D 204 100380w</i>
5	GS133	Catching plate screw M5×12-2, M5×20-1 Socket head cap screw	32	GK200	Belt hood support
6	GKS103	Panel I Plastic	33	GS134	Belt hood screw
7	GS132	Panel screw M4×16-2 Socket head cap screw	34	GS134	Angle stand screw M6×12-2 Socket head cap screw
8	GK204	Panel II	35	GK199-b	A-frame(205)
9	GS132	Panel screw M4×16-4 Socket head cap screw	36	GS172	Connection board screw M5×8-2
10	GKS104	Panel III <i>D 204 100613</i>	37	Gk206	Connection board
11	GS132	Panel screw M4×16-2 Socket head cap screw	38	GM107-b	Arc needle board
12	GKS207	Oil catching plate	39	GS172	Faller screw M5×8-2
13	GS131	Oil catching plate screw M3×10-1, M3×6-2 Socket head cap screw	40	GK212	Block 2pcs
14	GK208	Side panel			
15	GS134	Side panel screw M4×10-2 Socket head cap screw	42	GK209A	Small oil seal
16	GKS102	Side back cover	43	GK209B	Small oil seal without station
17	GS132	" " screw M4×40-2 Socket head cap screw	44	GK208	Big oil seal
18	GK202	Back cover plate	45	GK210	Oil pipe joint
19	GS123	" " screw M5×9.5-2 plain screw	46	GX102	Pendulum stand spacing pin1
20	GX101	Threading screw	47	GX103	Pendulum stand spacing pin2
21	GK203	Oil box			
22	GK201	Upper cover plate	49	GKS105	Stitch cover board
23	GS122	Oil box screw M4×12-2 plain screw	50	GS134	Stitch cover board screw M6×16-2 Socket head cap screw
24	GS123	Upper cover plate screw M5×9.5-2 plain screw	51	GS132	Drawing stand screw M4×8-1 Socket head cap screw
25	GS134	Belt hood screw M6×60-2 Socket head cap screw	52	GS131	Catching oil plate screw M3×10-1 Socket head cap screw
26	GK201	Belt hood washer Φ 6×1.5-2	53	GO101	Belt wheel connecting sleeve
27	GKS100	Belt hood 1 <i>D 205 100240A</i>	54	GS132	Belt wheel connecting sleeve screw M4×10 Socket head cap screw
			55	GS112	Top wire of Pendulum stand spacing pin M6×6 Grub socket head cap screw
			56	GS113	Top wire of Pendulum stand spacing pin 2 M5×8 Grub socket head cap screw

2. Armshaft and thread raising

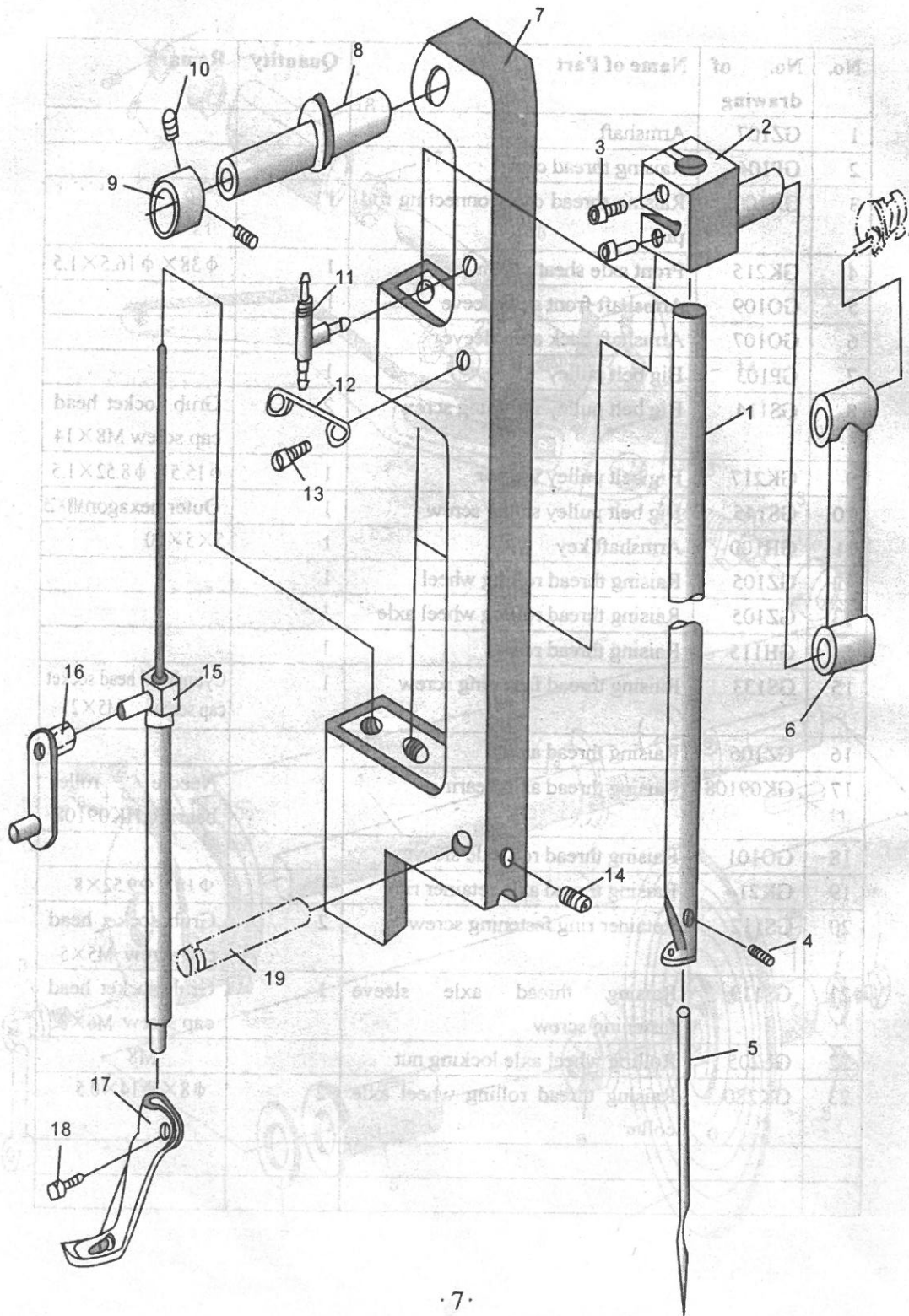
I Body Unit



2. Armshaft and thread raising

No.	No. of drawing	Name of Part	Quantity	Remark
1	GZ107	Armshaft	1	
2	GP104	Raising thread cam	1	
3	GX100	Raising thread cam connecting rod pin	1	
4	GK215	Front axle sheath shim	1	$\phi 38 \times \phi 16.5 \times 1.5$
5	GO109	Armshaft front axle sleeve	1	
6	GO107	Armshaft back axle sleeve	1	
7	GP103	Big belt pulley	1	
8	GS114	Big belt pulley fastening screw	2	Grub socket head cap screw M8 \times 14
9	GK217	Big belt pulley washer	1	$\phi 15.5 \times \phi 8.52 \times 1.5$
10	GS145	Big belt pulley safety screw	1	Outer hexagon M8 \times 25
11	GH100	Armshaft key	1	5 \times 5 \times 20
12	GZ105	Raising thread rolling wheel	1	
13	GZ105	Raising thread rolling wheel axle	1	
14	GH115	Raising thread rod	1	
15	GS133	Raising thread fastening screw	1	Cylindrical head socket cap screw M5 \times 21
16	GZ106	Raising thread axle		
17	GK09108	Raising thread axle bearing	2	Needle roller bearing HK09108
18	GO101	Raising thread rod axle sleeve	1	
19	GK214	Raising thread axle retainer ring	1	$\phi 18 \times \phi 9.52 \times 8$
20	GS112	Retainer ring fastening screw	2	Grub socket head cap screw M5 \times 5
21	GS113	Raising thread axle sleeve fastening screw	1	Grub socket head cap screw M6 \times 8
22	GL205	Rolling wheel axle locking nut		M8
23	GK280	Raising thread rolling wheel axle collar	2	$\phi 8 \times \phi 14 \times 0.5$

3. Needle bar and pendulum presser

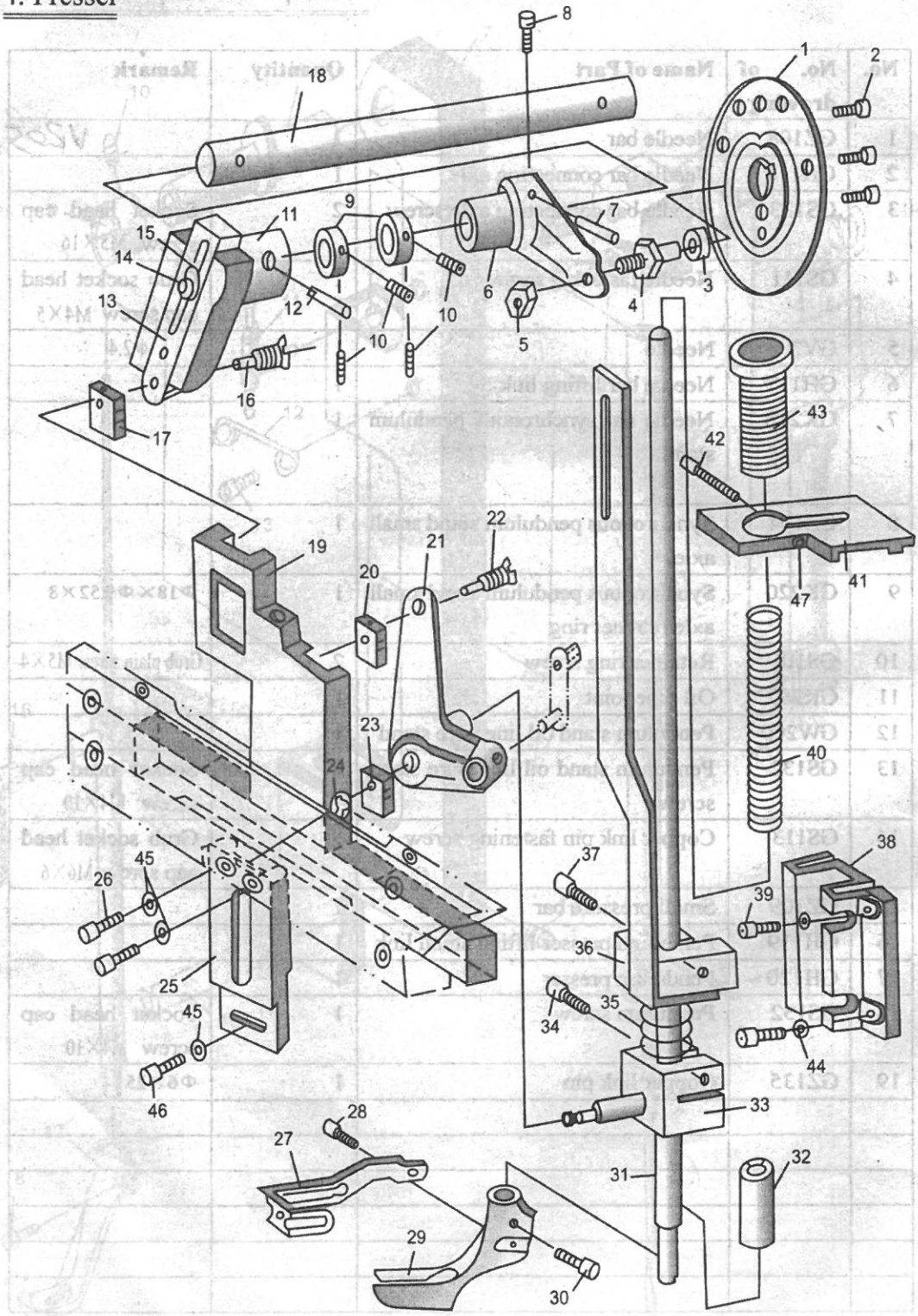


3. Needle bar and pendulum presser

No.	No. of drawing	Name of Part	Quantity	Remark
1	GZ108	Needle bar	1	
2	GH118	Needle bar connecting axle	1	
3	GS133	Needle bar connecting axle screw	2	Socket head cap screw M5×16
4	GS111	Needle fastening screw	1	Grub socket head cap screw M4×5
5	GV2	Needle	1	φ2.4
6	GH117	Needle bar lifting link	1	
7	GK218	Needle bar synchronous pendulum stand	1	
8	GZ104	Synchronous pendulum stand small axle	1	
9	GK220	Synchronous pendulum stand small axle retainer ring	1	φ18×φ9.52×8
10	GS101	Retainer ring screw	2	Grub plain screw M5×4
11	GK292	Oil pipe joint	1	
12	GW200	Pendulum stand oil line wire stand	1	
13	GS132	Pendulum stand oil line wire stand screw	1	Socket head cap screw M4×10
14	GS113	Copper link pin fastening screw	1	Grub socket head cap screw M6×6
15	GZ109	Small pressure bar	1	
16	GH119	Pendulum presser lifting small link	1	
17	GH120	Pendulum presser	1	
18	GS132	Pendulum screw	1	Socket head cap screw M4×10
19	GZ135	Copper link pin	1	φ6×25

V205 D 130/7

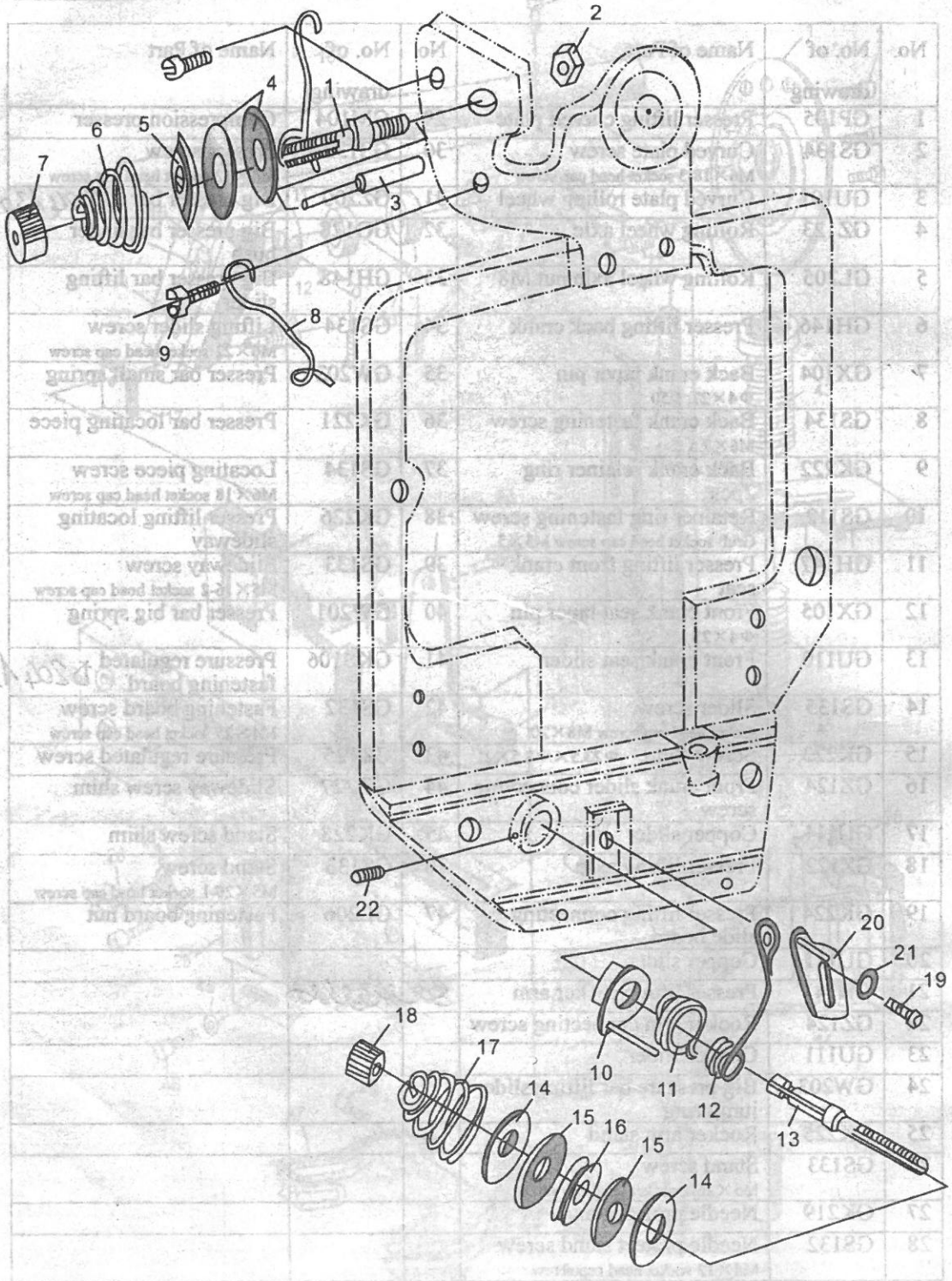
3. Needle bar and pendulum mechanism
4. Presser



4. Presser

No.	No. of drawing	Name of Part	No.	No. of drawing	Name of Part
1	GP105	Presser lifting curved plate	29	GM104	Compression presser
2	GS134	Curved plate screw M6×18-3 socket head cap screw	30	GS132	Presser screw M4×12 socket head cap screw
3	GU101	Curved plate rolling wheel	31	GZ200	Big presser bar <i>204130100</i>
4	GZ123	Rolling wheel axle	32	GO128	Big presser bar under bush
5	GL205	Rolling wheel axle nut M8	33	GH148	Big presser bar lifting slider
6	GH146	Presser lifting back crank	34	GS134	Lifting slider screw M6×22 socket head cap screw
7	GX104	Back crank taper pin Φ4×27, 1:50	35	GW202	Presser bar small spring
8	GS134	Back crank fastening screw M6×7.5	36	GK221	Presser bar locating piece
9	GK222	Back crank retainer ring 2pcs	37	GS134	Locating piece screw M6×18 socket head cap screw
10	GS112	Retainer ring fastening screw Grub socket head cap screw M5×5	38	GK226	Presser lifting locating slideway
11	GH147	Presser lifting front crank seat	39	GS133	Slideway screw M5×16-2 socket head cap screw
12	GX105	Front crank seat taper pin Φ4×25	40	GW201	Presser bar big spring
13	GU110	Front crank seat slider	41	GKS106	Pressure regulated fastening board <i>D204130743No</i>
14	GS135	Slider screw socket head cap screw M8×20	42	GS132	Fastening board screw M4×25 socket head cap screw
15	GK223	Screw shim Φ23.5×Φ8.5×2	43	GZ125	Pressure regulated screw
16	GZ124	Front crank slider connecting screw	44	GK227	Slideway screw shim
17	GU111	Copper slider	45	GK228	Stand screw shim
18	GZ122	Presser lifting axle	46	GS133	Stand screw M5×20-1 socket head cap screw
19	GK224	Presser lifting connecting slide board	47	GL206	Fastening board nut
20	GU111	Copper slider			
21	GH141	Presser lifting rocker arm			
22	GZ124	Rocker arm connecting screw			
23	GU111	Copper slider			
24	GW203	Big pressure bar lifting slider jump ring			
25	GK225	Rocker arm stand			
26	GS133	Stand screw M5×16-2 socket head cap screw			
27	GK219	Needle protect stand			
28	GS132	Needle protect stand screw M4×12 socket head cap screw			

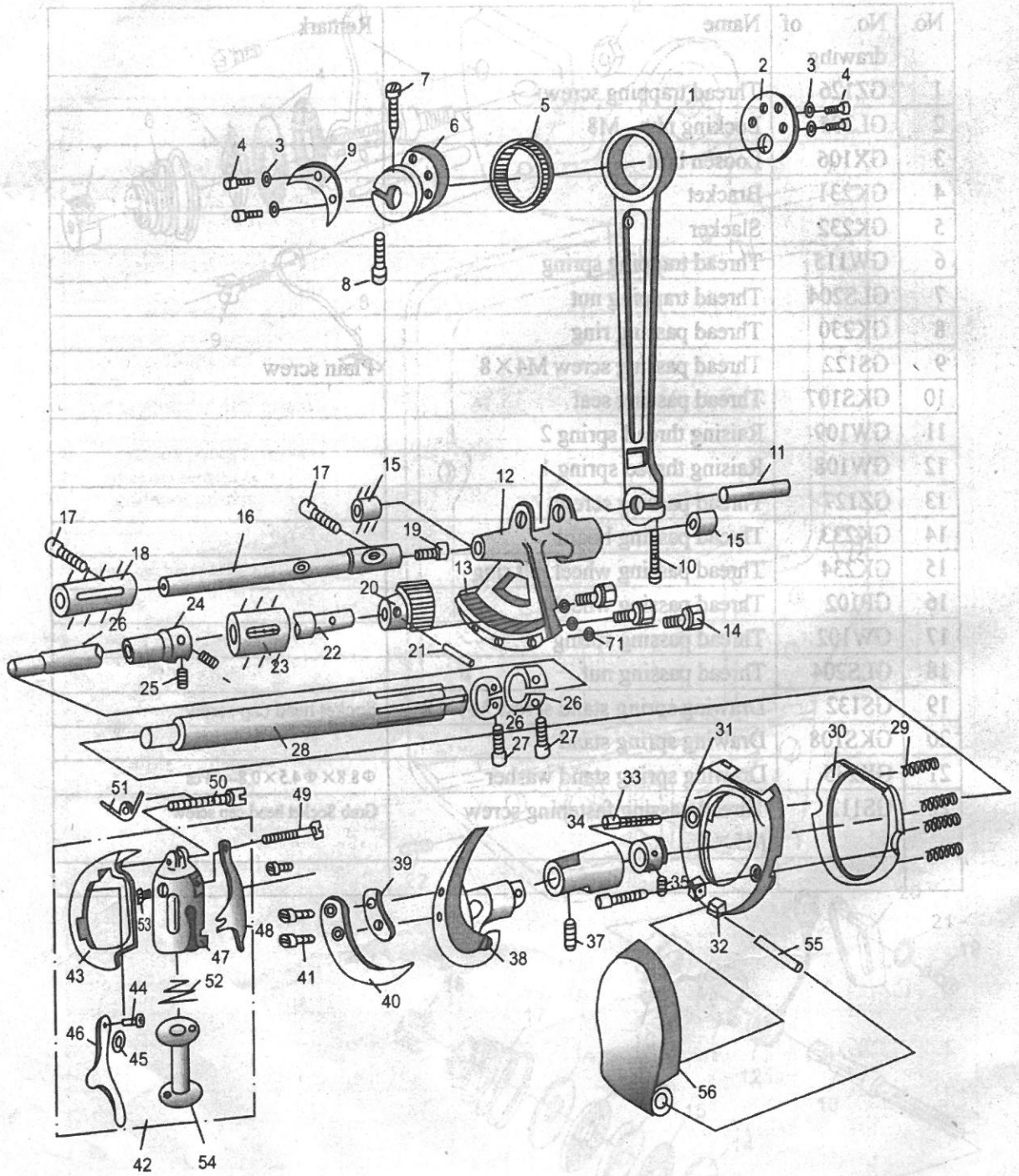
5. Thread trapping and thread passing



5. Thread trapping and thread passing

No.	No. of drawing	Name	Remark
1	GZ126	Thread trapping screw	
2	GL205	Locking nut M8	
3	GX106	Loosen bolt	
4	GK231	Bracket	
5	GK232	Slacker	
6	GW115	Thread trapping spring	
7	GLS204	Thread trapping nut	
8	GK230	Thread passing ring	
9	GS122	Thread passing screw M4×8	Plain screw
10	GKS107	Thread passing seat	
11	GW109	Raising thread spring 2	
12	GW108	Raising thread spring 1	
13	GZ127	Thread passing screw	
14	GK233	Thread passing board	
15	GK234	Thread passing wheel felt ring	
16	GP102	Thread passing wheel	
17	GW102	Thread passing spring	
18	GLS204	Thread passing nut	
19	GS132	Drawing spring stand screw M4×8	Socket head cap screw
20	GKS108	Drawing spring stand	
21	GK235	Drawing spring stand washer	Φ8.8×Φ4.5×0.8--1Pcs
22	GS112	Thread passing fastening screw M5×5	Grub Socket head cap screw

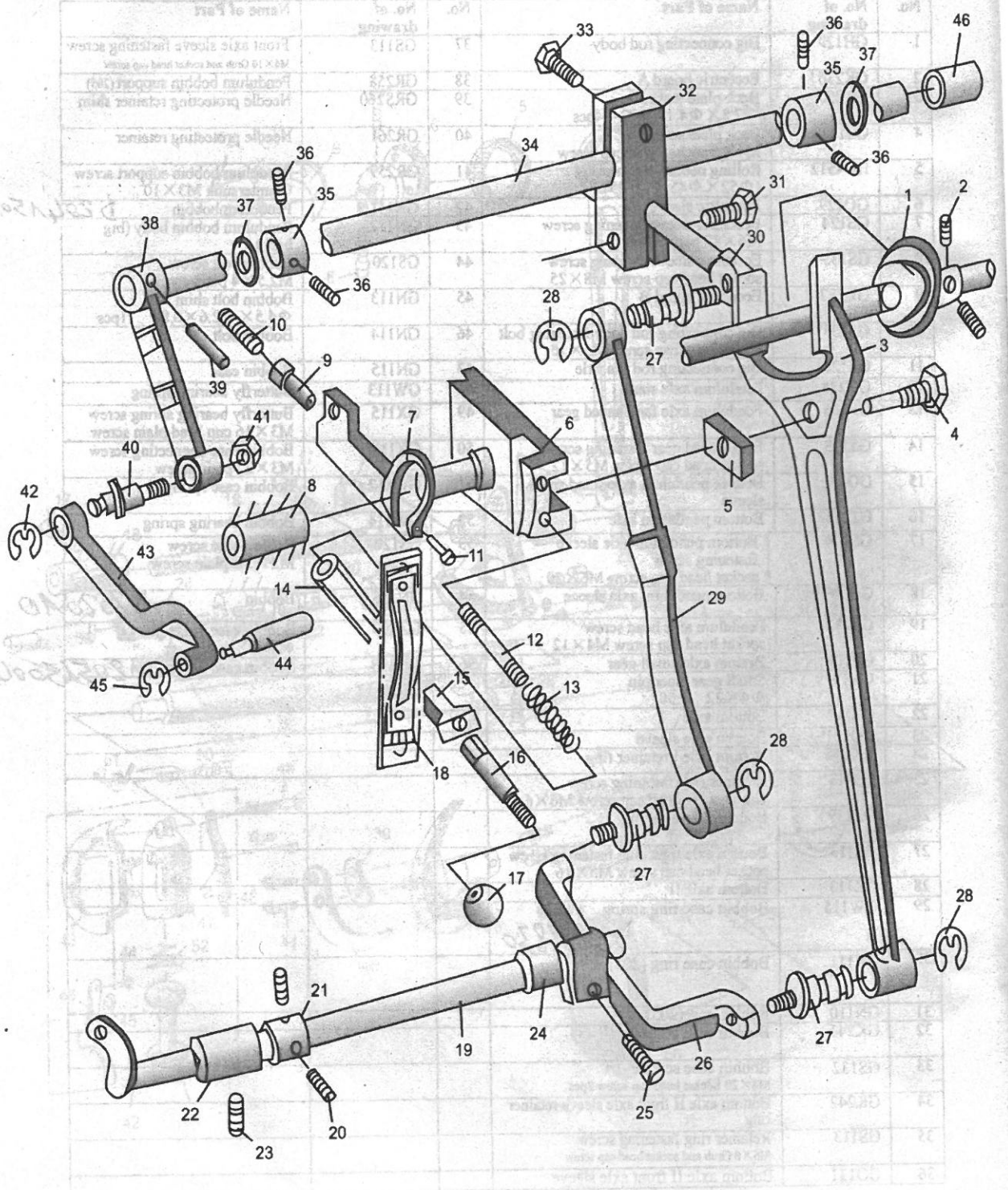
6. Bobbin case and bottom axle



6. Bobbin case and bottom axle

No.	No. of drawing	Name of Part	No.	No. of drawing	Name of Part
1	GH129	Big connecting rod body	37	GS113	Front axle sleeve fastening screw M6×10 Grub and socket head cap screw
2	GK236	Eccentric board A	38	GR258	Pendulum bobbin support (205)
3	GK293	Back plate washer Φ7.8×Φ4.1×0.22—4pcs	39	GRS260	Needle protecting retainer shim
4	GS132	Back plate screw M4×6 socket head cap screw	40	GR261	Needle protecting retainer
5	HK4512	Rolling needle axle bearing (Φ52×Φ45×12) 4512	41	GR259	Pendulum bobbin support screw Countersunk M3×10
6	GO129	Eccentric sleeve	42	GN111/9	Pendulum bobbin
7	GS124	Eccentric sleeve fastening screw M6×12 plain screw	43	GN112	Pendulum bobbin body (big back)
8	GS135	Eccentric sleeve trapping screw socket head cap screw M8×25	44	GS120	Bobbin bolt screw M2.5×4 plain screw
9	GK237	Eccentric board B	45	GN113	Bobbin bolt shim Φ4.5×Φ2.6×0.8 1pcs
10	GS133	Big connecting rod body fastening bolt socket head cap screw M5×16	46	GN114	Bobbin bolt
11	GZ128	Big connecting rod pin axle	47	GN115	Bobbin case
12	GK238	Pendulum axle stand	48	GW113	Butterfly bearing spring
13	GP106	Pendulum axle fan-shaped gear	49	GX115	Butterfly bearing spring screw M3×16 cup head plain screw
14	GS133	Fan-shaped gear fastening screw socket head cap screw M5×12	50	GX116	Bobbin case connecting screw M3×22 plain screw
15	GO132	Bottom pendulum axle stand small sleeve	51	GW112	Bobbin case spring
16	GZ111	Bottom pendulum axle	52	GW114	Bobbin bearing spring
17	GS134	Bottom pendulum axle sleeve fastening screw socket head cap screw M6×20	53	GS120	Bobbin case screw M2×5.5 plain screw
18	GO130	Bottom pendulum axle sleeve	54	GN116	Bobbin
19	GS132	Pendulum axle head screw socket head cap screw M4×12	55	GZ109	Bobbin case hinge pin Φ2×20
20	GP107	Bottom axle small gear	56	GN118	Bobbin case cover(205)
21	GX107	Small gear taper pin Φ4×22 1:50			
22	GZ112	Bottom axle I			
23	GO131	Bottom axle sleeve			
24	GK240	Bottom axle I retainer ring			
25	GS113	Retainer ring fastening screw Grub socket head cap screw M6×6			
26	GZ239	Bottom axle tight ring			
27	GS113	Bottom axle tight ring fastening screw socket head cap screw M5×16			
28	GZ113	Bottom axle II			
29	GW115	Bobbin case ring spring Φ4×15			
30	GN111	Bobbin case ring (205)			
31	GN110	Bobbin case(205)			
32	GK241	Bobbin case hinge			
33	GS132	Bobbin case screw M4×20 Socket head cap screw 2pcs			
34	GK242	Bottom axle II front axle sleeve retainer ring			
35	GS113	Retainer ring fastening screw M6×6 Grub and socket head cap screw			
36	GO131	Bottom axle II front axle sleeve			

7. Feeding



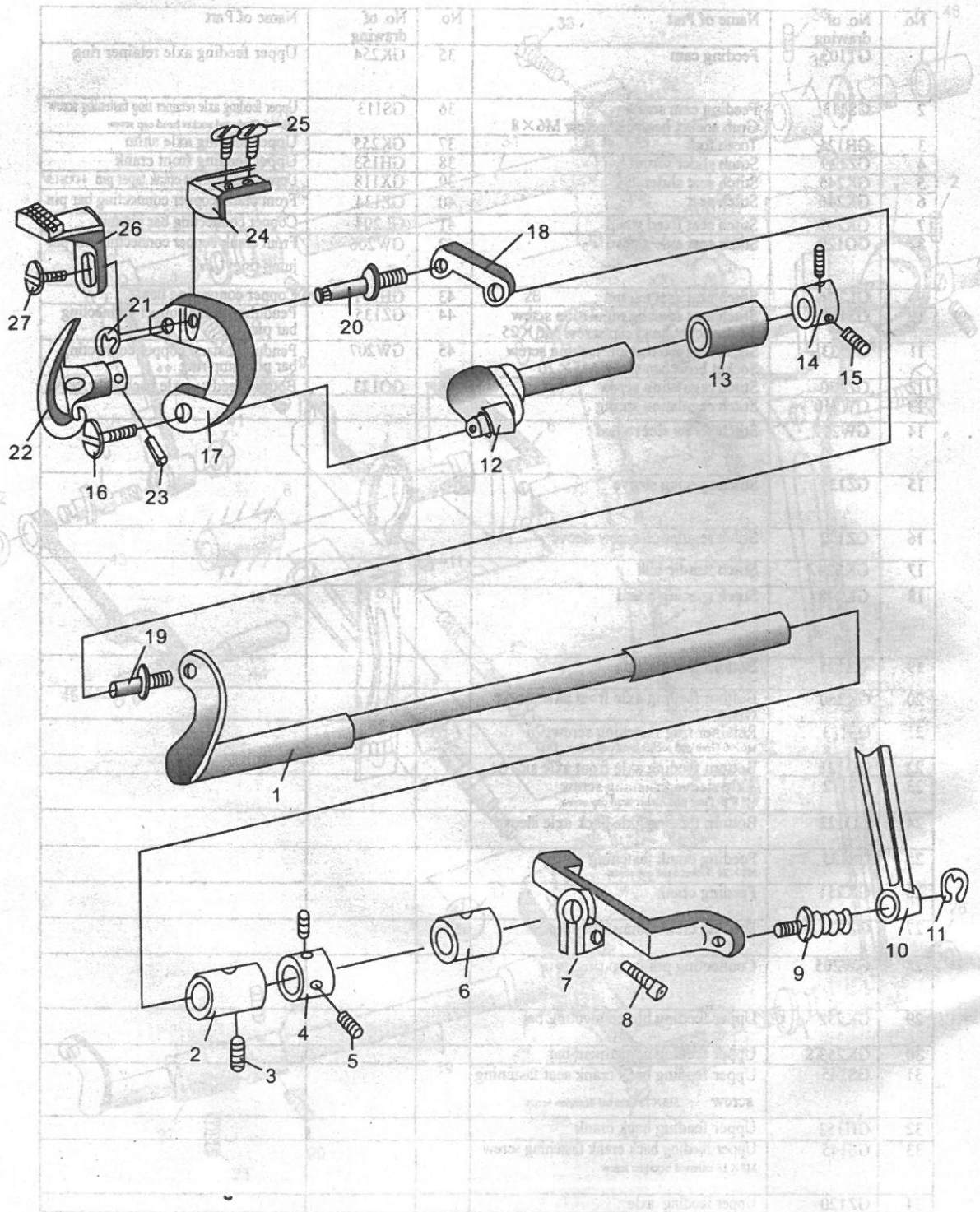
7. Feeding

8. Lifting Tooth

No.	No. of drawing	Name of Part	No.	No. of drawing	Name of Part
1	GT103	Feeding cam	35	GK254	Upper feeding axle retainer ring
2	GS113	Feeding cam screw Grub socket head cap screw M6×8	36	GS113	Upper feeding axle retainer ring fastening screw M6×6 Grub and socket head cap screw
3	GH125	Tooth fork	37	GK255	Upper feeding axle shim
4	GZ129	Stitch slider screw	38	GH153	Upper feeding front crank
5	GK245	Stitch seat slider	39	GX118	Upper feeding front crank taper pin $\phi 4 \times 26 \text{ 1:50}$
6	GK246	Stitch seat	40	GZ134	Front crank copper connecting bar pin
7	GK249	Stitch seat fixed stand	41	GL204	Copper connecting bar pin nut
8	GO120	Stitch seat axle sleeve	42	GW206	Front crank copper connecting bar pin jump ring $\phi 8$
9	GL204	Stitch seat spacing nut	43	GH151	Copper connecting bar
10	GS113	Stitch seat spacing regulation screw Grub socket head cap screw M6×25	44	GZ135	Pendulum stand copper connecting bar pin
11	GS133	Stitch seat fixed stand locking screw Socket head cap screw M5×20	45	GW207	Pendulum stand copper connecting bar pin jump ring $\phi 6$
12	GZ130	Stitch regulation screw M8	46	GO123	Bottom feeding axle back axle sleeve
13	GW210	Stitch regulation spring			
14	GW209	Stitch screw sleeve leaf			
15	GZ131	Stitch spacing sleeve			
16	GZ132	Stitch regulation screw sleeve			
17	GKS247	Stitch handle ball			
18	GK248	Stitch spacing board			
19	GZ121	Bottom feeding axle			
20	GK250	Bottom feeding axle front axle sleeve retainer ring			
21	GS113	Retainer ring fastening screw M6×6 Grub and socket head cap screw			
22	GO121	Bottom feeding axle front axle sleeve			
23	GS112	Axle sleeve fastening screw M5×10 Grub and socket head cap screw			
24	GO122	Bottom feeding axle back axle sleeve			
25	GS135	Feeding crank fastening screw M8×20 Socket head cap screw			
26	GK251	Feeding crank			
27	GZ133	Feeding crank connecting pin			
28	GW205	Connecting pin jump ring $\phi 10$			
29	GK252	Upper feeding big connecting bar			
30	GK253	Upper feeding adjustment bar			
31	GS145	Upper feeding back crank seat fastening screw M8×18 external hexagon screw			
32	GH152	Upper feeding back crank			
33	GS145	Upper feeding back crank fastening screw M8×18 external hexagon screw			
34	GZ120	Upper feeding axle			

8. Lifting Tooth

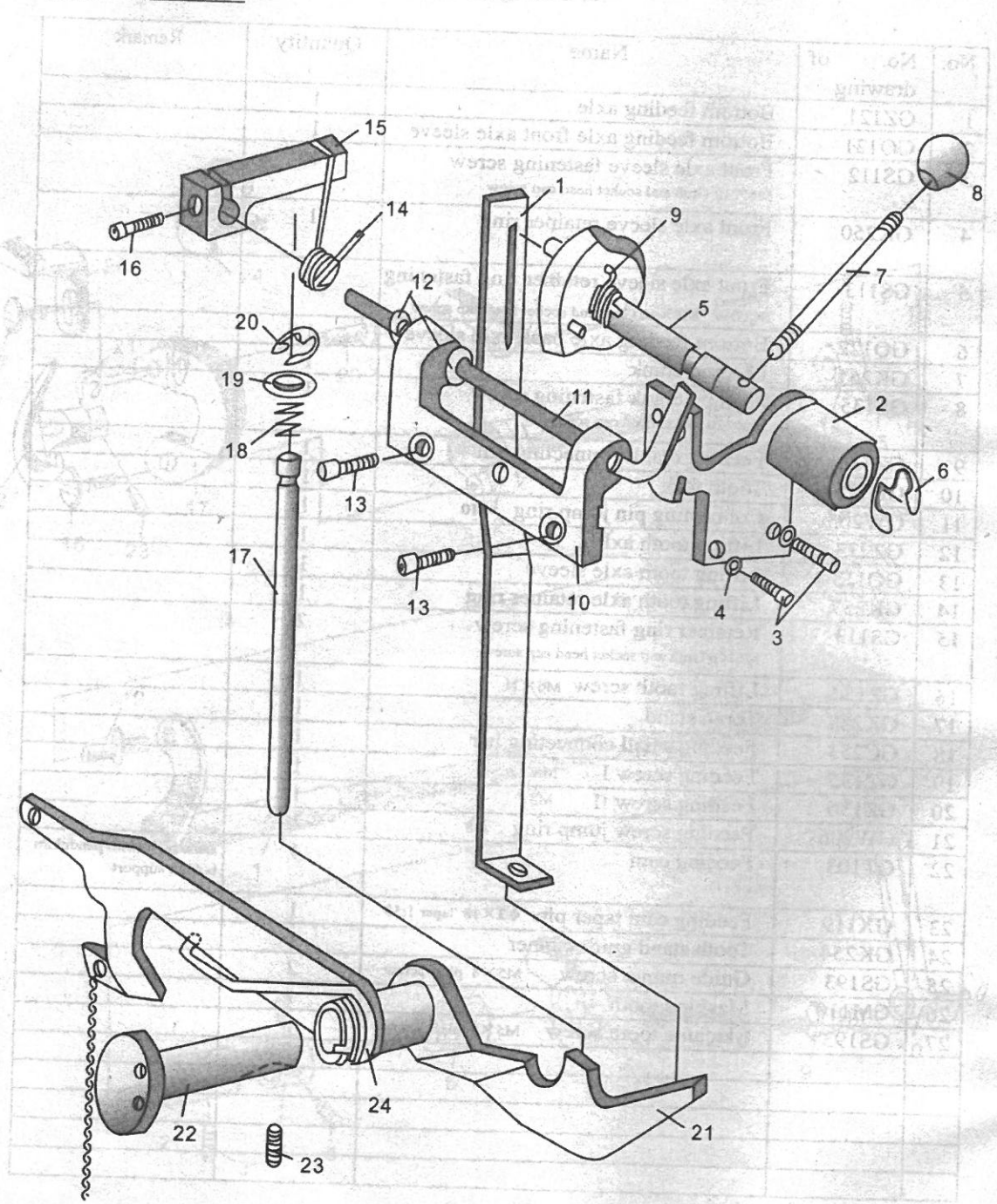
7. Feeding



8. Lifting Tooth

No.	No. of drawing	Name	Quantity	Remark
1	GZ121	Bottom feeding axle	1	
2	GO121	Bottom feeding axle front axle sleeve	1	
3	GS112	Front axle sleeve fastening screw M5×10 Grub and socket head cap screw	1	
4	GK250	Front axle sleeve retainer ring	1	
5	GS113	Front axle sleeve retainer ring fastening screw M5×10 Grub and socket head cap screw	2	
6	GO122	Bottom feeding axle back axle sleeve	1	
7	GK251	Feeding crank	1	
8	GS135	Feeding crank fastening screw M8×20 socket head cap screw	1	
9	GZ133	Feeding crank connecting pin	1	
10	GH125	Tooth fork	1	
11	GW205	Connecting pin jump ring $\phi 10$	1	
12	GZ223	Lifting tooth axle	1	
13	GO113	Lifting tooth axle sleeve	1	
14	GK257	Lifting tooth axle retainer ring	1	
15	GS113	Retainer ring fastening screw M6×6 Grub and socket head cap screw	2	
16	GZ134	Lifting tooth screw M6×11	1	
17	GK252	Tooth stand	1	
18	GC253	Feeding small connecting bar	1	
19	GZ135	Feeding screw I M8	1	
20	GZ136	Feeding screw II M8	1	
21	GW206	Feeding screw jump ring $\phi 8$	1	
22	GT103	Feeding cam	1	same body with pendulum bobbin support
23	GX119	Feeding cam taper pin $\phi 3 \times 18$ taper 1:50	1	
24	GK254	Tooth stand guide runner	1	
25	GS193	Guide runner screw M5×8 plain screw	2	
26	GM110	Machine tooth	1	
27	GS193	Machine tooth screw M5×8 plain screw	1	

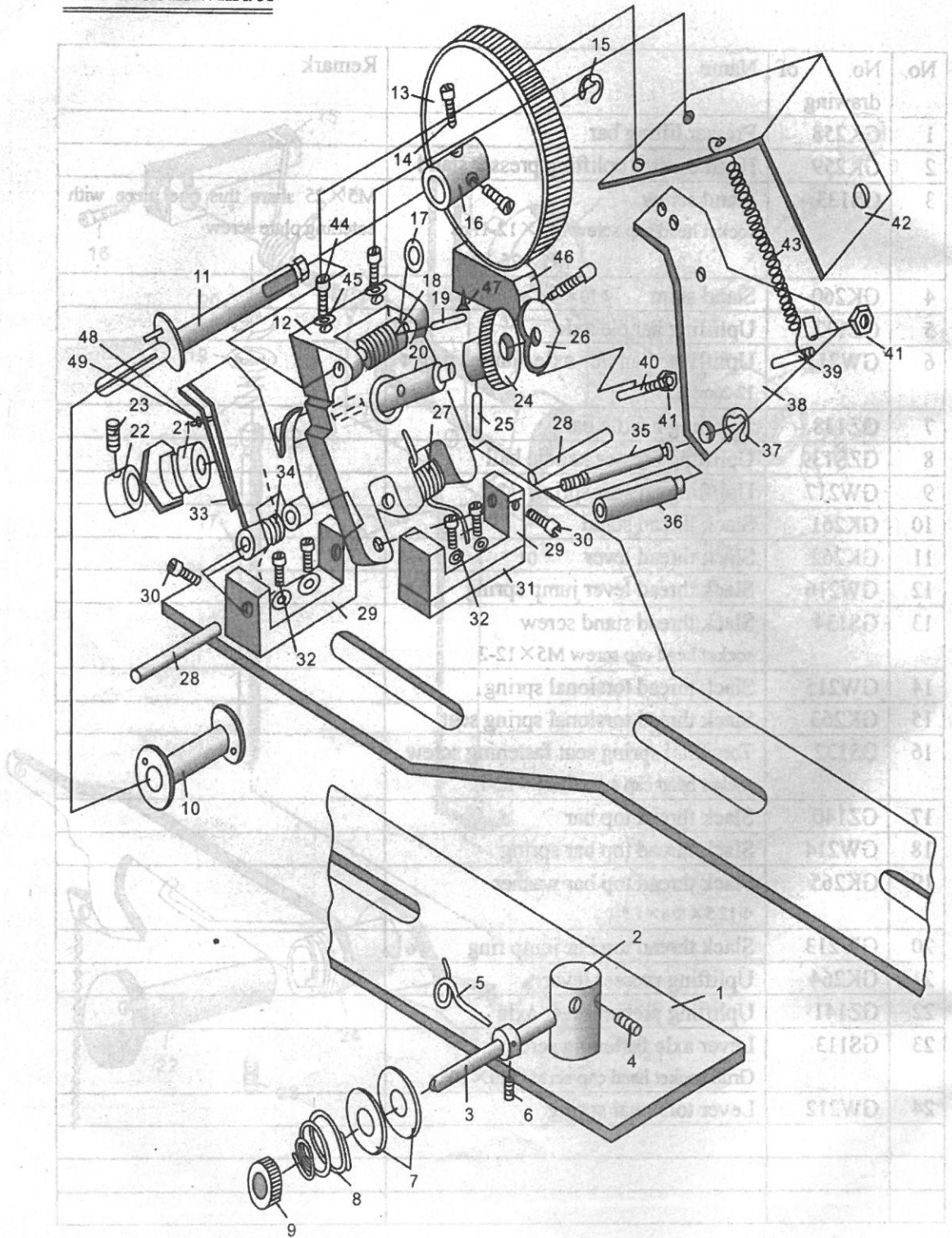
9. Presser lifter



9. Presser lifter

No.	No. of drawing	Name	Remark
1	GK258	Presser lifting bar	
2	GK259	Hand control uplifting presser stand	
3	GS133	Stand screw socket head cap screw M5×12-1Pcs M5×25-1Pcs	M5×25 share this one piece with catching plate screw
4	GK260	Stand shim $\Phi 10 \times \Phi 5 \times 0.3$ —2pcs	
5	GZ137	Uplifting handle axle	
6	GW211	Uplifting handle axle jump ring $\Phi 12$ -2pcs	
7	GZ138	Uplifting handle bar	
8	GZS139	Uplifting presser handle ball	
9	GW217	Uplifting presser spring	
10	GK261	Slack thread stand	
11	GK262	Slack thread lever	
12	GW216	Slack thread lever jump spring $\Phi 6$	
13	GS134	Slack thread stand screw socket head cap screw M5×12-2	
14	GW215	Slack thread torsional spring	
15	GK263	Slack thread torsional spring seat	
16	GS132	Torsional spring seat fastening screw socket head cap screw M4×12-1	
17	GZ140	Slack thread top bar	
18	GW214	Slack thread top bar spring	
19	GK265	Slack thread top bar washer $\Phi 12.5 \times \Phi 6 \times 1.5$ -1	
20	GW213	Slack thread top bar jump ring $\Phi 6$	
21	GK264	Uplifting presser lever	
22	GZ141	Uplifting presser lever axle	
23	GS113	Lever axle fastening screw Grub socket head cap screw M6×10	
24	GW212	Lever torsional spring	

10. Bobbin winder



10. Bobbin winder

No.	No. of drawing	Name of Part	No.	No. of drawing	Name of Part
1	GK266	Bobbin winder baseboard	33	GK267	Full reel drawboard
2	GK267	Trapping thread screw fixed pole	34	GW124	Full reel drawboard torsion spring
3	GZ142	Trapping thread screw	35	GZ143	Raising thread board spiale
4	GS101	Trapping thread screw fastening screw M4×8 Grub socket head cap screw	36	GK270	Raising thread board saddle
5	GK268	Passing thread ring	37	GW203	Spiale jump ring
6	GS101	Passing thread ring fastening screw M4×6 Grub socket head cap screw	38	GK278	Creel board
7	GK269	Bracket	39	GZ144	Hitch spring pole
8	GW121	Thread trapping spring	40	GZ145	Cam press bar bolt
9	GL204	Thread trapping screw M6×0.75	41	GL203	Press bar bolt M3-2
10	GN116	Bobbin	42	GK272	Draw spring board
11	GZ148	Thread coiling pole	43	GW122	Coiler draw spring
12	GK277	Thread coiling stand	44	GS122	Draw spring board bolt M4×10 plain screw
13	GP108	Thread coiling pulley	45	GK280	Draw spring board bolt shim Φ4×Φ8×0.8
14	GS121	Thread coiling pulley fastening screw M3×6 Plain screw	46	GK275	Shoebreak
15	GW213	Pulley jump ring Φ6	47	GBS112	Wooden screw Φ3×14
16	GO141	Plastic pulley steel bushing	48	GS110	Full reel board regulate screw
17	GK279	Worm shim	49	GL203	Full reel board regulate nut
18	GZ149	Thread raising worm			
19	GX120	Worm pin Φ2×0.2×10			
20	GZ146	Worm wheel shaft			
21	GO140	Worm wheel eccentric sleeve			
22	GK271	Worm wheel retainer ring			
23	GS101	Worm wheel retainer ring fastening ring M4×6 Grub socket head cap screw			
24	GP109	Raising thread worm wheel			
25	GX120	Raising thread worm wheel pin Φ2×0.2×14			
26	GP110	Raising thread small cam			
27	GW123	Thread coiling stand torsion spring			
28	GZ147	Thread coiling stand axle			
29	GK273	Thread coiling seat			
30	GS121	Thread coiling seat axle fastening screw M3×11 Plain screw zincification			
31	GK274	Thread coiling seat cushion			
32	GS122	Thread coiling seat screw M4×5 Plain screw			