

GS900 自动运模车

AUTOMATIC MOLD SEWING MACHINE

零件手册

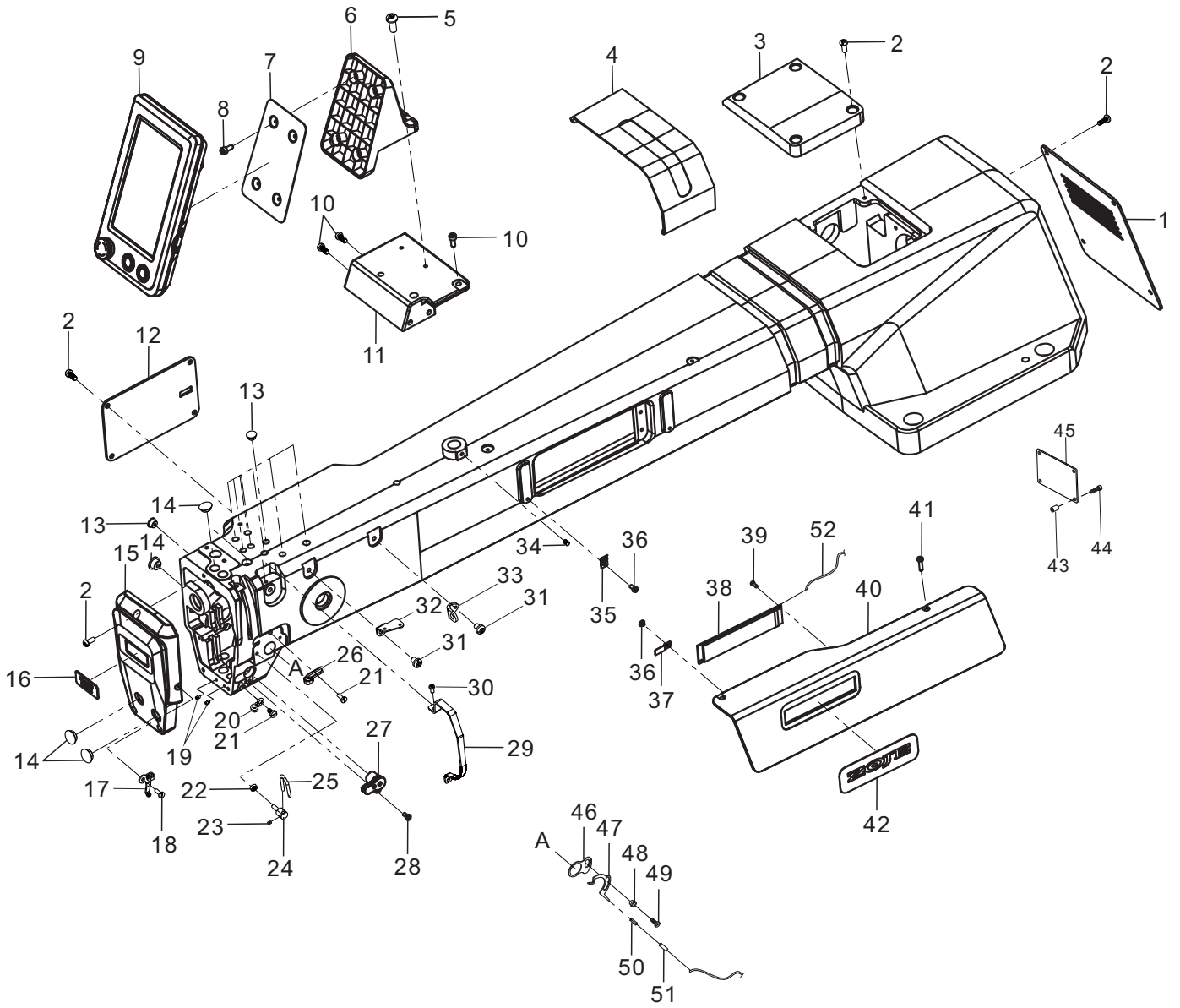
PARTS BOOK

目 录

CONTENTS

1. 机头、外装部件.....	1
FRAME & MISCELLANEOUS COVER COMPONENTS	
2. 上轴、针杆部件.....	3
MAIN SHAFT & NEEDLE BAR COMPONENTS	
3. 中压脚部件.....	5
PRESSER MECHANISM & PRESSER VARIABLE COMPONENTS (1)	
4. 辅助压脚部件.....	7
AUXILIARY PRESSER MECHANISM & MARKER PEN COMPONENTS	
5. 松线部件.....	9
TENSION RELEASE & THREAD TENSION COMPONENTS	
6. 下轴剪线部件.....	11
LOWER SHAFT TRIM THREAD COMPONENTS	
7. 润滑部件.....	14
LUBRICATION COMPONENTS	
8. X-Y送料部件(1).....	16
FEEDING COMPONENTS (1)	
9. X-Y送料部件(2).....	18
FEEDING COMPONENTS (2)	
10. X-Y送料部件(3).....	20
FEEDING COMPONENTS (3)	
11. 气动部件.....	23
PNEUMATIC COMPONENTS	
12. 大缝台部件.....	25
BIG SEWING BED COMPONENTS	
13. 机架部件.....	27
MACHINE STAND COMPONENTS	
14. 附件部件.....	29
ACCESSORIES COMPONENTS	
15. 激光部件(1).....	31
WIPER MECHANISM COMPONENTS (1)	
16. 激光部件(2).....	34
WIPER MECHANISM COMPONENTS (2)	

1. 机头、外装部件



机头、外装部件

FRAME & MISCELLANEOUS COVER COMPONENTS

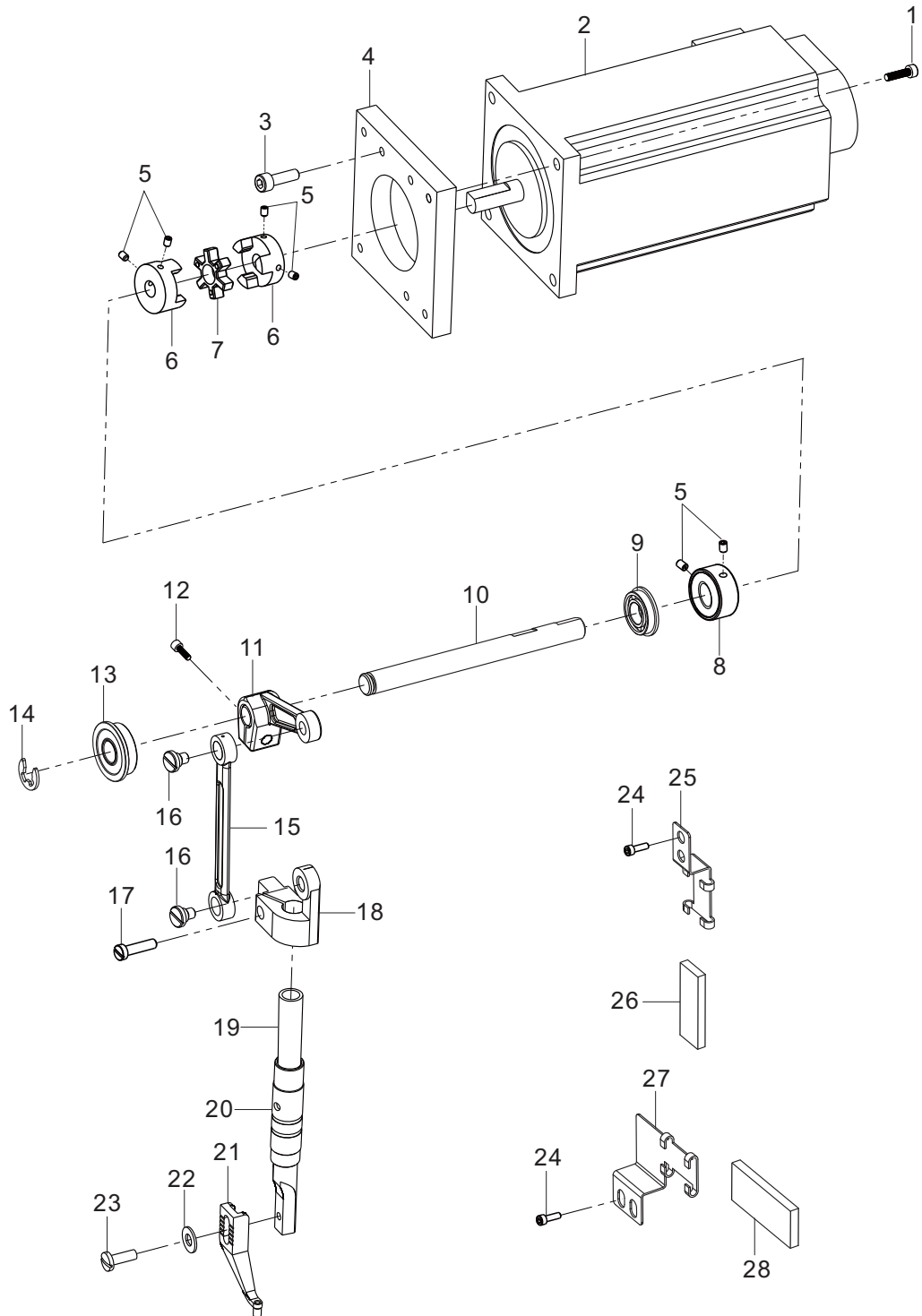
序号 NO.	件号 Part No.	名称	DESCRIPTION	数量 Qty
1	20024055	后盖板	BACK COVER	1
2	10008776	螺钉 M5 L=12	SCREW M5 L=12	15
3	20024056	上盖板	TOP COVER REAR	1
4	10062527	装饰板	PLATE	1
5	10003164	螺钉 M5 L=16	SCREW M5 L=12	2
6	10062490	操作面板座壳		1
7	10062548	吸屏板		1
8	10003034	螺钉 M3 L=5	SCREW M3 L=5	4
9	10061932	操作头		1
10	10003162	螺钉 M5 L=12	SCREW M5 L=12	3
11	10062496	操作面板座		1
12	20023894	侧盖板		1
13	10000090	摆动架销油塞	RUBBER PLUG	9
14	10011099	橡胶塞	RUBBER PLUG	5
15	20023895	运模机面板	FACE COVER	1
16	10003162	模板机装饰板	FACE PLATE	1
17	10055858	750左线钩	ARM THREAD GUIDE LEFT	1
18	10009691	螺钉 SM9/64"×40 L=10	SCREW SM9/64"×40 L=10	1
19	10000563	螺钉 M4 L=5	SCREW M4 L=5	2
20	10062754	下线钩	ARM THREAD GUIDE DOWN	1
21	10010668	螺钉 SM11/64"×40	SCREW SM11/64"×40	2
22	10009471	螺母 M4	NUT M4	1
23	10051477	线钩座螺钉 M3.5 L=3	SCREW M3.5 L=3	1
24	10049613	线钩座	ARM THREAD GUIDE FIXED BASE	1
25	10049614	线钩	ARM THREAD GUIDE	1
26	10008940	右线钩	ARM THREAD GUIDE RIGHT	1
27	10063515	电子夹线器	ELECTRONIC THREAD CLAMP DEVICE	1
28	10007068	螺钉 M4 L=10	SCREW M4 L=10	1
29	20023540	挑线杆防护罩	THREAD TAKE-UP LEVER COVER	1
30	10008934	螺钉 SM3/16"×28	SCREW SM3/16"×28	1
31	10011158	螺钉 SM15/64"×8	SCREW SM15/64"×8	2
32	10011200	上过线板	ARM THREAD GUIDE UP	1
33	10011145	单眼过线板	SINGLE-HOLE THREAD EYELET GUIDE	1
34	10011232	螺钉 M6 L=6	SCREW M6 L=6	1
35	10063992	装饰板压块		1
36	10005050	螺钉 M4 L=4	SCREW M4 L=4	4
37	10063991	装饰板压板		1
38	10064763	套结LOGO电路板组件		1
39	10062983	螺钉	SCREW	2
40	10062525	前装饰板		1
41	10002959		SCREW M4 L=16	2
42	10063819	套结LOGO_95		1
43	10024992	转接板支柱	SUPPORT PILLAR	4
44	10009103	螺钉 M4×6	SCREW M4 L=16	4
45		机头转接板	SIGNAL SWITCH BOARD	1
46	10059802	断线传感器绝缘板	GUIDE PLATE	1
47	10059803	断线检测传感片	THB SENSOR CABLE ASM	1
48	10000752	传感片外绝缘片	BUSHING	1
49	10009691	螺钉 SM9/64"×40	SCREW SM9/64"×40	1
50	10052997	直型端子		1
51	10062106	直型端子护套		1
52	10063869	发光板连接线缆		1

上轴、针杆部件

MAIN SHAFT & NEEDLE BAR COMPONENTS

序号 NO.	件号 Part No.	名称	DESCRIPTION	数量 Qty
1	10001943	螺钉 M5 L=20	SCREW M5 L=20	4
2	10000260	垫圈5.2×9.8×1	WASHER 5.2×9.8×1	4
3	10066340	主轴电机	MAIN SHAFT SERVO MOTOR	1
4	10009187	螺钉 M6 L=8	SCREW M6 L=8	8
5	10012615	联轴器(1)	COUPLING (1)	1
6	10011227	联轴器橡胶块	COUPLING RUBBER	1
7	10012613	联轴器(2)	COUPLING (2)	1
8	10049904	上轴同步带轮	UPPER SHAFT TENSION PULLEY ASM	1
9	10029408	轴承 6022VVNR	BEARING 6022VVNR	1
10	10014362	轴承衬套	BEARING_BUSH	1
11	10010678	螺钉 SM15/64"×28 L=8	SCREW SM15/64"×28 L=8	2
12	10065683	三丝杠900上轴	MAIN SHAFT	1
13	10025882	轴承 6004NR-2RS_BOM	BEARING 6004NR-2RS	1
14	10042095	轴承衬套	BEARING_BUSH	2
15	10022863	螺钉 M6×0.75	HANDWHEEL SETSCREW M6×0.75	4
16	10051864	轴承 6004	BEARING 6004	1
17	10021312	齿轮 A	GEAR_A	1
18	10027277	轴套	NEEDLE FEED SHAFT METAL	1
19	10011242	弹簧	SPRING	1
20	10027278	手轮轴	HANDWHEEL SHAFT	1
21	10006073	销	SPRING PIN	1
22	10011603	手轮	HANDWHEEL	1
23	10011225	螺钉 M6	HANDWHEEL SETSCREW M6	1
24	10027407	齿轮 B	GEAR_B	1
25	10062200	平衡块		1
26	10014332	上轴平衡轮固定板		1
27	10010953	螺钉 M5 L=10	SCREW M5 L=10	2
28	10050517	轴承 6004ZZ	BEARING 6004ZZ	1
29	10010082	螺钉 SM9/32"×2.8 L=16	SCREW SM9/32"×2.8 L=16	1
30	10005020	螺钉 SM1/4"×40 L=6	SCREW SM1/4"×40 L=6	2
31	10012607	针杆曲柄	COUNTER WEIGHT	1
32	10010545	螺钉 SM9/32"×2.8 L=15	SCREW SM9/32"×2.8 L=15	1
33	10011622	垫圈 8×5×0.7	WASHER 8×5×0.7	1
34	10038440	挑线杆组件	THREAD_TAKE_UP_COMPL	1
35	10009109	螺钉 M4 L=6	SCREW M4 L=6	2
36	10011194	针杆连接轴滑块	SLIDE BLOCK	1
37	10057568	针杆滑块槽	NEEDLE BAR METAL GREASE COVER	1
38	10048800	螺钉 M4 L=10	SCREW M4 L=10	4
39	10010587	橡胶塞	RUBBER PLUG	1
40	10049875	针杆上轴套	NEEDLE_BAR_METAL	1
41	10031678	挡油片	NEEDLE_BAR_METAL_GREASE_COVER	1
42	10010590	针杆连接柱	NEEDLE BAR CONNECTING	1
43	10030286	螺钉	SCREW	1
44	10063340	针杆 DP×5	NEEDLE BAR DP×5	1
	10063341	针杆 DP×5	NEEDLE BAR DP×5	1
	10056785	针杆 DB×1	NEEDLE BAR DB×1	1
45	10046043	针杆下轴套	NEEDLE_BAR_LOWER_METAL	1
46	10062753	针杆线钩	THREAD GUIDE	1
47	10041770	螺钉 SM1/8"×44 L=4.5	SCREW SM1/8"×44 L=4.5	1
48	10053820	机针 DP×5 10#	NEEDLE DP×5 10#	1

3. 中压脚部件

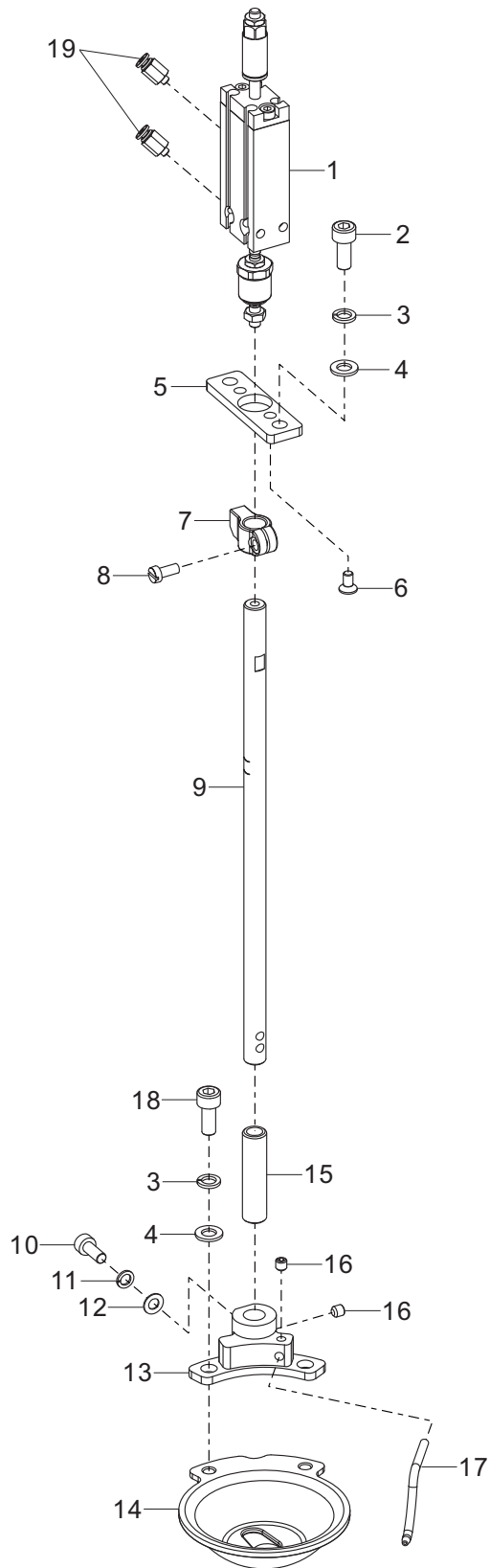


中压脚部件

LOWER SHAFT TRIM THREAD COMPONENTS

序号 NO.	件号 Part No.	名称	DESCRIPTION	数量 Qty
1	10000863	螺钉 M4 L=12	SCREW M4 L=12	4
2	10061929	中压脚步进电机	STEPPING MOTOR	1
3	10010958	螺钉 M5 L=14	SCREW M5 L=14	3
4	10062696	中压脚电机安装板	MOTOR BRACKET	1
5	10012014	螺钉 M5 L=4	SCREW M5 L=4	8
6	10027317	联轴器	COUPLING	2
7	10056286	联轴器橡胶圈	COUPLING RUBBER RING	1
8	10027320	挡圈	RETAINING RING	1
9	10026126	轴承 F688ZZ	BEARING F688ZZ	1
10	10057955	压脚驱动轴	DRIVE SHAFT	1
11	10057545	曲柄	CRANK	1
12	10011410	螺钉 M5 L=10	SCREW M5 L=10	1
13	10009776	轴承 F698ZZ	BEARING F698ZZ	1
14	10009654	挡圈 6	RING 6	1
15	10057544	连杆	CONNECTING ROD	1
16	10057547	轴位螺钉	AXIAL SCREW	2
17	10033253	螺钉 SM11/64"×40	SCREW SM11/64"×40	1
18	10057541	压杆导架	PRESSURE BAR GUIDE	1
19	10057542	压杆	PRESS ROD	1
20	10057548	压杆下套	PRESS ROD	1
21	10057415	中压脚	MEDIUM PRESSURE FOOT	1
22	10011680	垫圈 4.6×9.7×0.8	WASHER 4.6×9.7×0.8	1
23	10010650	螺钉 SM9/64"×40	SCREW SM9/64"×40	1
24	10001513	螺钉组件	SCREW M3 L=6	4
25	10063766	油毡安装板3	MOUNTING PLATE	1
26	10058965	油毡	LINOLEUM	1
27	10063765	油毡安装板2	MOUNTING PLATE	1
28	10058966	油毡2	LINOLEUM	1

4. 辅助压脚部件

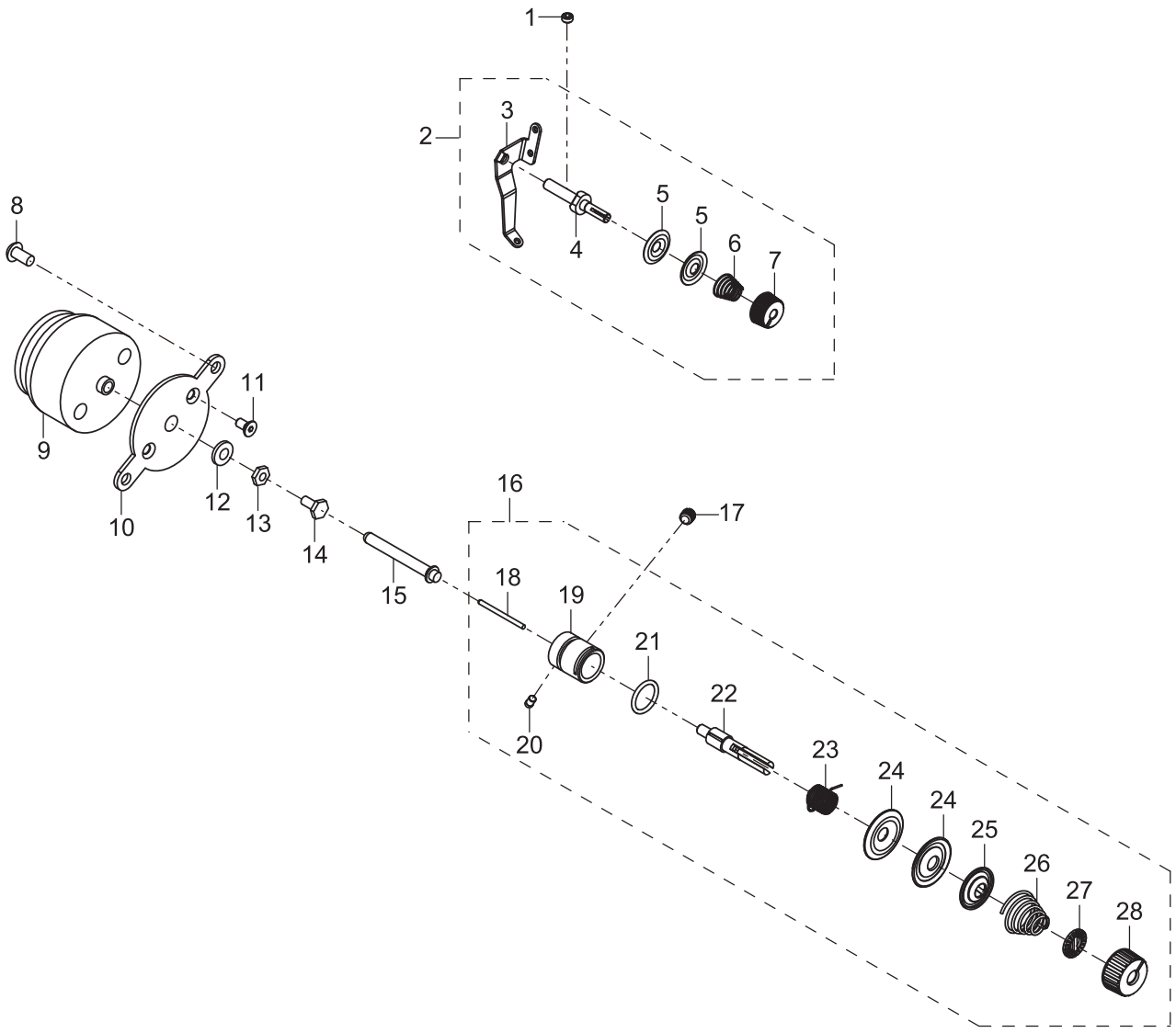


辅助压脚部件

AUXILIARY PRESSER MECHANISM COMPONENTS

序号 NO.	件号 Part No.	名称	DESCRIPTION	数量 Qty
1	10062535	压脚气缸	CYLINDER	1
2	10013883	螺钉 M5 L=12	SCREW M5 L=12	2
3	10005537	垫圈 5	SPRING WASHER 5	4
4	10012318	垫圈 5	WASHER 5	4
5	10064027	辅助压脚气缸安装板2	CYLINDER PLATE 2	1
6	10062759	螺钉 M3 L=8	SCREW M3 L=8	2
7	10061979	辅助压杆导架	PRESSURE BAR GUIDE	1
8	10030286	螺钉 SM9/64"×40	SCREW SM9/64"×40	1
9	10061978	辅助压杆	PRESS ROD	1
10	10064268	螺钉 M4 L=10	SCREW M4 L=10	1
11	10002991	弹簧垫圈 4	SPRING WASHER 4	1
12	10002949	垫圈 4	WASHER 4	1
13	10063521	辅助压脚转接板_吹气	CYLINDER PLATE	1
14	10062788	辅助压脚	AUXILIARY PRESSER FOOT	1
15	10062073	辅助压杆轴套	BUSHING	1
16	10002862	螺钉 M4 L=10	SCREW M4 L=10	2
17	10063522	面线吹气管		1
18	10003165	螺钉 M5 L=10	SCREW M5 L=10	2
19	10061374	接头_PC04-M5C	TIE-IN	2

5. 松线部件

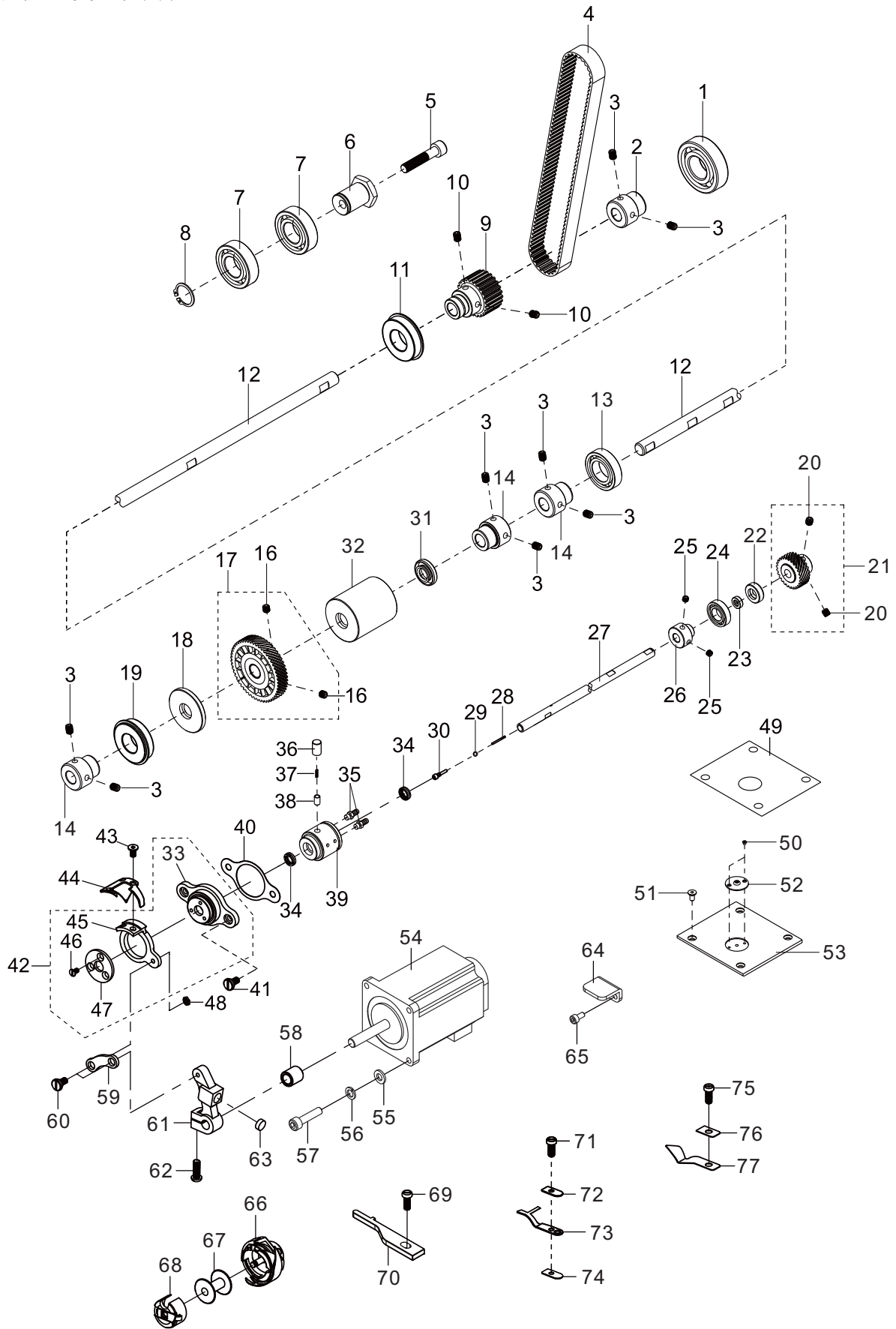


松线部件

TENSION RELEASE & THREAD TENSION COMPONENTS

序号 NO.	件号 Part No.	名称	DESCRIPTION	数量 Qty
1	10041529	螺钉 SM3/16"×28 L=6	SCREW SM3/16"×28 L=6	1
2	10064310	上夹线器部件	THREAD_TENSION_1_ASM	1
3	10012589	上过线板	THREAD_TENSION_1_DISK	1
4	10005841	螺钉 SM11/64"×40	SCREW SM11/64"×40	1
5	10005839	上夹线板	THREAD_TENSION_2_DISK	2
6	10005838	弹簧	SPRING	1
7	10051458	上夹线器螺母 SM11/64"×40	SCREW SM11/64"×40	1
8	10007096	螺钉 M5 L=10	SCREW M5 L=10	2
9	10057974	松线电磁铁	SOLENOID ASM	1
10	10057933	夹线电磁铁安装板	TENSION_RELEASE_CRANK_FRAME	1
11	10051846	螺钉 M4 L=8	SCREW M4 L=8	2
12	10059819	垫圈 7×13×2	WASHER 7×13×2	1
13	10002076	螺母 M4	NUT M4	1
14	10063649	螺钉 M4 L=30	SCREW M4 L=30	1
15	10059808	松线辅钉	TENSION_RELEASE_PIN	1
16	10064309	夹线器组件	THREAD_TENSION_2_ASM	1
17	10012162	螺钉 M5 L=5	SCREW M5 L=5	1
18	10004184	松线钉	TENSION_RELEASE_PIN	1
19	10039524	挑线簧调节座	THREAD_TENSION_POST_BASE	1
20	10004200	螺钉 SM9/64"×40 L=5.5	SCREW SM9/64"×40 L=5.5	1
21	10004183	O形圈 13×1.5	O TYPE RING 13×1.5	1
22	10004177	螺钉 SM1/4"×40	螺钉 SM1/4"×40	1
23	10004201	弹簧	SPRING	1
24	10004180	夹线板	THREAD_TENSION_DISK	2
25	10004179	松线板	THREAD_TENSION_DISK_PRESSER	1
26	10004176	弹簧	SPRING	1
27	10004199	夹线制动板	DISK_STOPPER	1
28	10040449	螺母	THREAD_TENSION_NUT	1

6. 下轴及剪线部件



下轴及剪线部件

PRESSER MECHANISM & PRESSER VARIABLE COMPONENTS

序号 NO.	件号 Part No.	名称	DESCRIPTION	数量 Qty
1	10054088	轴承62/22ZZ	BEARING 62/22ZZ	1
2	10040825	轴承衬套	BEARING SUPPORT	1
3	10010678	SM15/64"×2 8螺钉	SCREW SM15/64"×2 8	8
4	10037786	上轴同步带	TIMING BELT	1
	10037787	上轴同步带	TIMING BELT	1
	10037788	上轴同步带	TIMING BELT	1
	10052388	上轴同步带	TIMING BELT	1
	10054280	上轴同步带	TIMING BELT	1
5	10002020	M8×40 螺钉	SCREW M8 L=10	1
6	10027837	张紧轮套	TENSION PULLEY	1
7	10050517	6004ZZ_BOM轴承	BEARING 6004ZZ_BOM	2
8	10007916	20挡圈	RING 20	1
9	10051566	抬牙轴同步齿形带轮	LOWER SPROCKET	1
10	10009187	M6×8 螺钉	SCREW M6 L=8	2
11	10025881	6204NR-2RS_BOM轴承	BEARING 6204NR-2RS	1
12	10065684	三丝杠900带轮轴	SHAFT	1
13	10064993	6204ZZ轴承	BEARING 6204ZZ	1
14	10037694	轴承衬套	BEARING SUPPORT	3
15	10037722	轴承6904ZZNR	BEARING 6904ZZNR	1
16	10008862	SM1/4"×40 螺钉	SCREW SM1/4"×40	2
17	10023911	齿轮	GEAR	1
18	10012538	油封	OIL SEAL	1
19	10025882	轴承 6004NR-2RS_BOM	BEARING 6004NR-2RS	1
20	10008862	SM1/4"×40 螺钉	SCREW SM1/4"×40	2
21	10023912	齿轮	GEAR	1
22	10012678	轴套	BUSHING	1
23	10012423	油封	OIL SEAL	1
24	10026221	6901-ZZ_BOM轴承	BEARING 6901-ZZ	1
25	10012014	M5×4 螺钉	SCREW M5 L=4	2
26	10049842	下轴后轴承挡圈	RING	1
27	10065811	下轴	SHAFT	1
28	10010063	油芯	OIL WICK	1
29	10000457	旋梭限油螺钉O形圈	O-RING	1
30	10010064	SM3/16"×32 螺钉	SCREW SM3/16"×32	1
31	10011204	油封	OIL SEAL	1
32	10062729	下轴铜套		1
33	10050402	750动刀架座_小旋梭		1
34	10013029	油封	OIL SEAL	2
35	10008779	油管接头	JOINT	2
36	10054194	螺钉 M8×4	SCREW M8×4	1
37	10014386	柱塞簧	PLUNGER SPRING	1
38	10012609	柱塞	PLUNGER	1
39	10054060	900下轴前套	FRONT BUSHING	1
40	10051729	750动刀架座垫片	KNIFE BRACKET MOUNTING BASE GASKET	2
41	10011794	螺钉 M4 L=10	SCREW M4 L=10	2
42	10061567	动刀架座组件	KNIFE BRACKET MOUNTING BASE	1
43	10011588	螺钉 SM11/64"×40	SCREW SM11/64"×40	2
44	10063085	动刀	ROUND KNIFE	1
45	10013045	动刀架	ROUND KNIFE BRACKET	1

下轴及剪线部件

PRESSER MECHANISM & PRESSER VARIABLE COMPONENTS

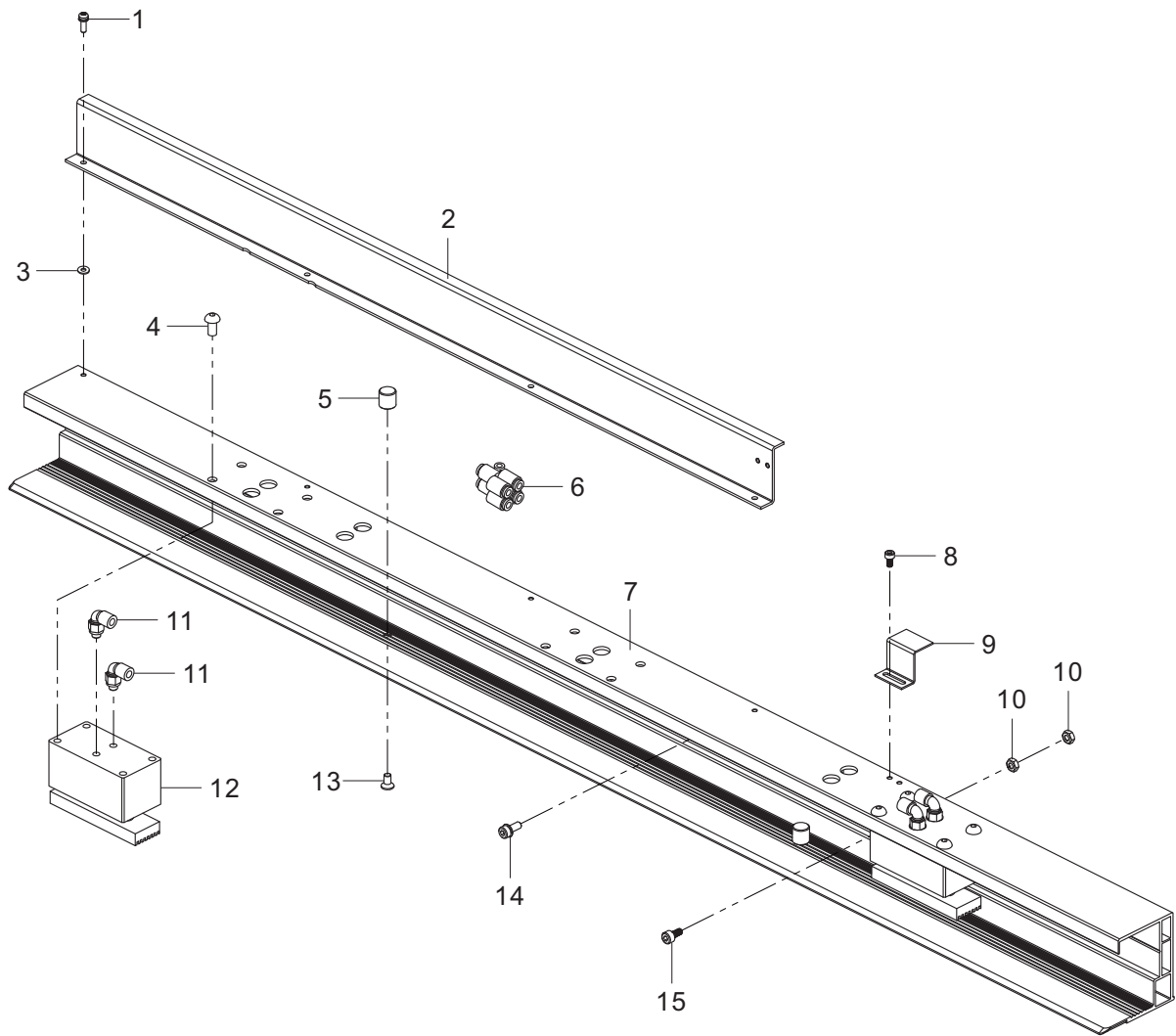
序号 NO.	件号 Part No.	名称	DESCRIPTION	数量 Qty
46	10009626	螺钉 M3 L=4.35	SCREW M3 L=4.35	3
47	10013026	刀架压板	KNIFE HOLDER	1
48	10009471	螺母	NUT	1
49	10053055	方形针板贴膜	SQUARE NEEDLE PLATE	1
50	10053634	螺钉	SCREW	2
51	10040655	螺钉	SCREW	4
52	10038528	运模车小针板	SMALL NEEDLE PLATE	1
53	10048793	750针板	NEEDLE PLATE	1
54	10066343	剪线步进电机	STEPPING MOTOR	1
55	10005537	垫圈 6	WASHER 6	3
56	10005537	弹簧垫圈 6	SPRING WASHER 6	3
57	10002028	螺钉 M6 L=20	SCREW M6 L=20	3
58	10064248	轴套	BUSHING	1
59	10013044	刀轴连杆	KNIFE SHAFT CONNECTING BAR	1
60	10026142	螺钉	SCREW	2
61	10063112	剪线曲柄	TRIMMING CRANK	1
62	10056719	螺钉 SM3/16" ×32	SCREW SM3/16" ×32	1
63	10013010	切线驱动曲柄止动块	CRANK BLOCK	1
64	10063113	剪线限位板	FIXED PLATE	1
65	10003399	螺钉 M4 L=8	SCREW M4 L=8	2
66	10062467	德盛旋梭_DSH1.6-B0TR	HOOK	1
67	10063086	梭芯	BOBBIN	1
68	10065171	1.6P梭壳BC-DB(6)-NBL2	BOBBIN CASE	1
69	10010373	螺钉 SM11/64" ×40	SCREW SM11/64" ×40	1
70	10041950	旋梭定位钩	BOBBIN CASE HOLDER	(1)
	10041951	旋梭定位钩	BOBBIN CASE HOLDER	1
	10051042	旋梭定位钩	BOBBIN CASE HOLDER	(1)
71	10009601	螺钉 SM9/64" ×40	SCREW SM9/64" ×40	1
72	10055264	定刀压板	FIXED KNIFE PLATE	1
73	10011421	定刀	FIXED KNIFE	1
74	10042100	定刀垫片	FIXED KNIFE GASKET	1
75	10046203	定刀座螺钉	FIXED KNIFE SCREW	1
76	10057346	分线器垫片	DISPART THREAN SHUTTLE GASKET	1
77	10011584	分线器	DISPART THREAN SHUTTLE	1

润滑部件

LUBRICATION COMPONENTS

序号 NO.	件号 Part No.	名称	DESCRIPTION	数量 Qty
1	10057442	油箱组件2	OIL ATNK 2	1
2	10010587	橡胶塞	RUBBER PLUG	1
3	10005350	螺钉 M4 L=8	SCREW M4 L=8	6
4	10022469	油管夹	SPRING CLIP	1
5	10007800	φ3×φ5油管	OIL TUBE φ3×φ5	1,500
6	10014461	6.5×20 形圈	O-RING	2
7	10007806	φ8×φ10油管	OIL TUBE φ8×φ10	200
8	10013048	弹簧	SPRING	1
9	10008783	SM5/16"×24 螺钉	SCREW SM5/16"×24	2
10	10042039	2KW03-08电磁阀	SOLENOID VALVE	1
11	10050200	锁母直通终端	JOINT	1
12	10010587	橡胶塞	RUBBER PLUG	1
13	10009195	M4×7.80 螺钉	SCREW M4 L=7.8	6
14	10037679	齿轮箱盖板	COVER PLATE	1
15	10038525	齿轮箱盖板垫	PLATE	1
16	10007796	φ4×φ6油管	OIL TUBE φ4×φ6	650
17	10012160	弹簧	SPRING	2
18	10008779	油管接头	JOINT	5
19	10010517	油量调节阀	OIL REGULATING VAVLVE	1
20	10000567	油量调节阀O形圈	O-RING	1
21	10000566	油量调节杆	REGULATING ROD	1
22	10007096	M5×10螺钉	SCREW M5 L=10	4
23	10048826	油位标贴	OIL LEVEL LABEL	1
24	10005291	小油箱组件	SMALL OIL TANK	1
25	10006185	油杯组件	OILCAN ASM	1
26	10005041	M4×10 内六角圆头螺栓	SCREW M4 L=10	2
27	10048780	油管接头	JOINT	1
28	10055081	流量电磁阀安装座	MOUNTING PLATE	1

8. X-Y送料部件(1)

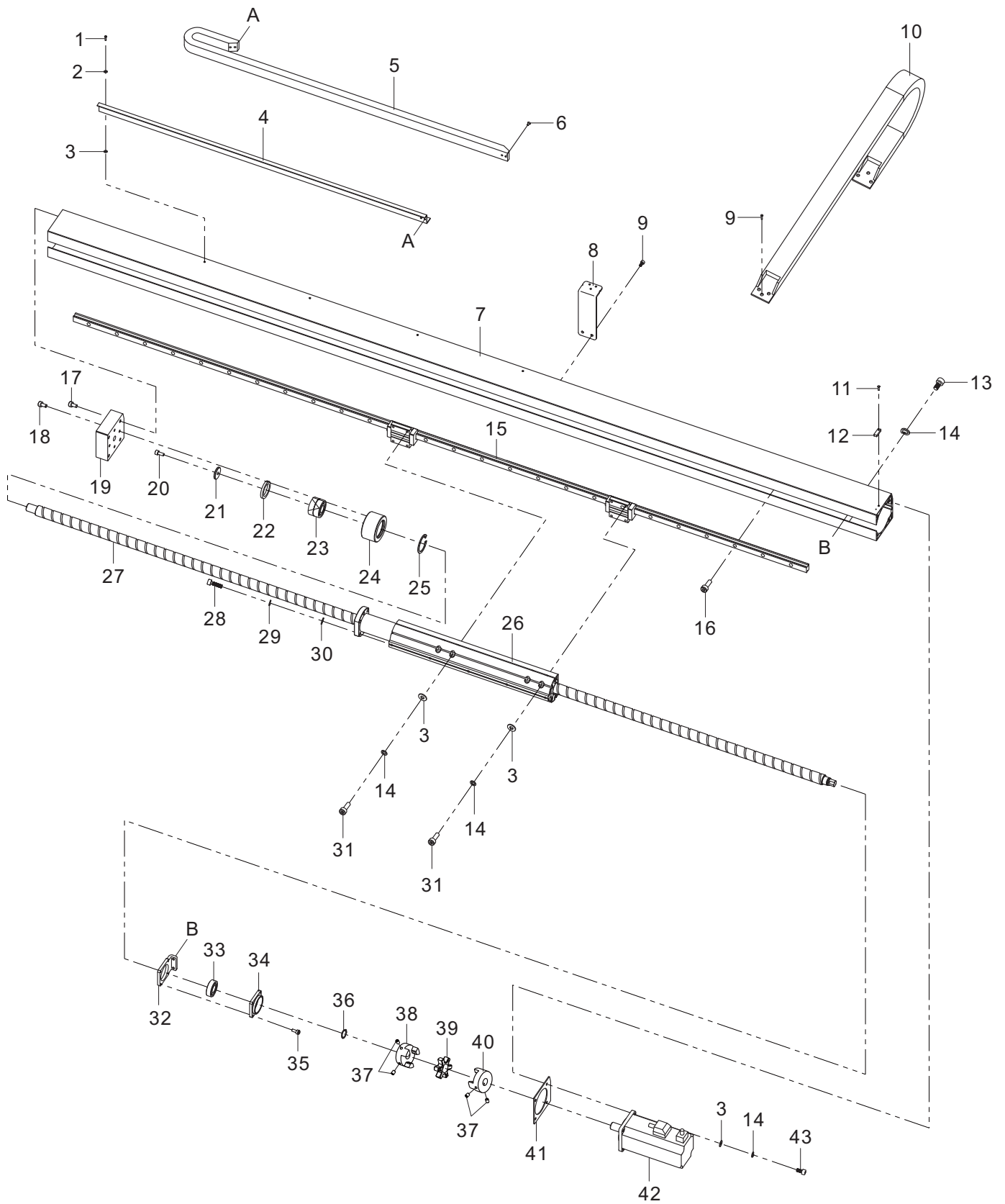


X-Y送料部件 (1)

FEEDING COMPONENTS

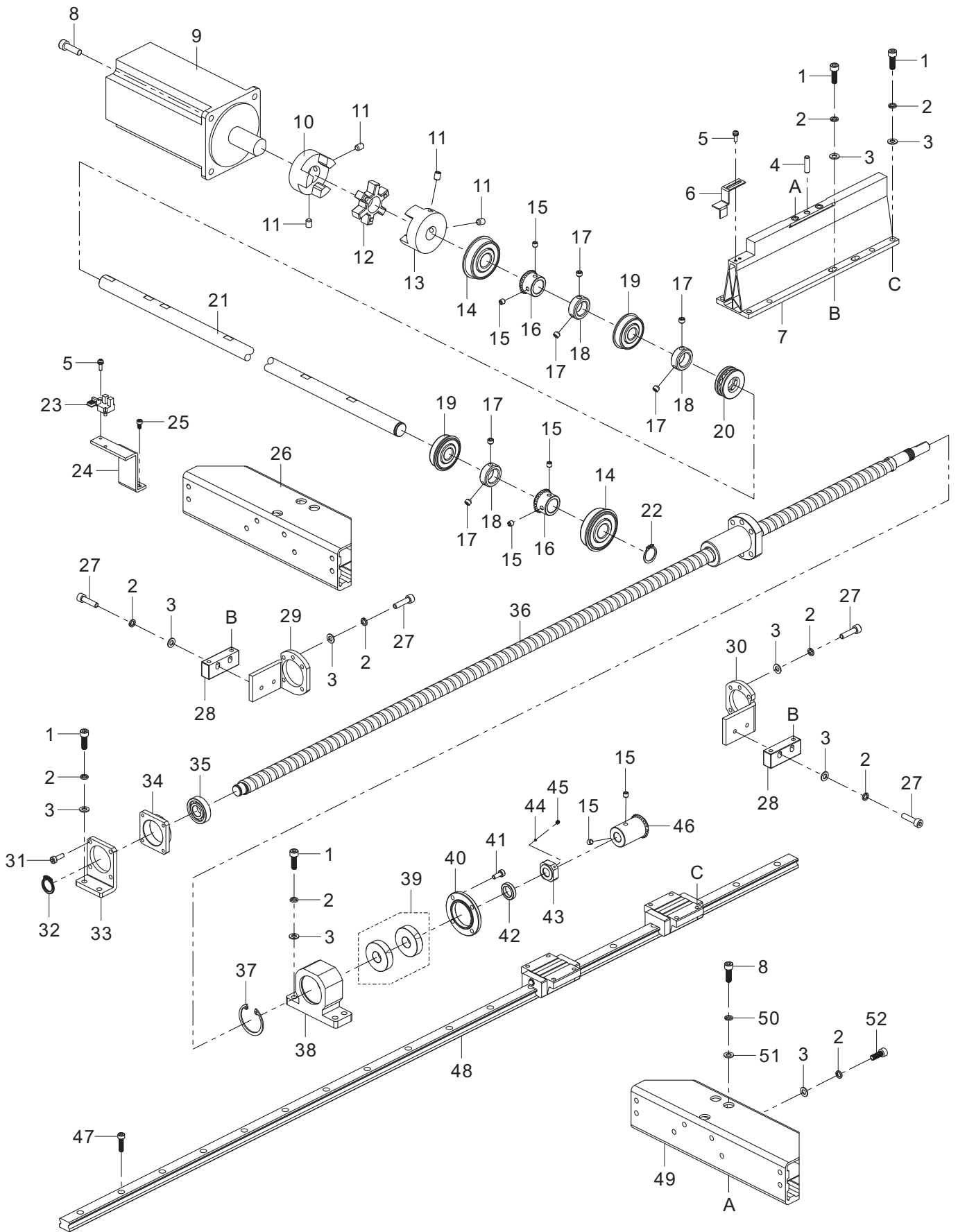
序号 NO.	件号 Part No.	名称	DESCRIPTION	数量 Qty
1	10000984	螺钉 M3 L=9.5	SCREW M3 L=9.5	4
2	10063163	拖链压板2	BAFFLE	1
3	10012318	垫圈 5	WASHER 5	4
4	10007096	螺钉 M5 L=10	SCREW M5 L=10	8
5	10052200	销	SPRING PIN	2
6	10052376	三通快速管接头	TIE-IN	2
7	10063155	模板导轨	ALUMINUM PROFILE GUIDE	1
8	10001513	螺钉 M3 L=6	SCREW M3 L=6	2
9	10063170	X向传感片	X SENSOR MOUNTING	1
10	10009471	螺母 M4	NUT M4	2
11	10052378	气管接头	JOINT	4
12	10063101	压料气缸	AIR CYLINDER	2
13	10040655	螺钉 M4 L=8	SCREW M4 L=8	2
14	10003875	螺钉 M4 L=8	SCREW M4 L=8	5
15	10012752	螺钉 M4 L=10	SCREW M4 L=10	1

9. X-Y送料部件(2)



序号 NO.	件号 Part No.	名称	DESCRIPTION	数量 Qty
1	10039650	螺钉 M3 L=6	SCREW M3 L=6	4
2	10041012	大垫圈 3	WASHER 3	4
3	10012318	垫圈 5	WASHER 5	16
4	10063162	拖链压板1	MOUNTING PLATE 1	1
5	10037199	塑料拖链	PLASTIC DRAG CHAIN	1
6	10009667	螺钉 M3 L=6	SCREW M3 L=6	6
7	10063176	X向型材座		1
8	10063175	拖链过渡板	MOUNTING PLATE	1
9	10005350	螺钉 M4 L=8	SCREW M4 L=8	8
10	10066192	塑料拖链	PLASTIC DRAG CHAIN	1185
11	10000984	螺钉 M3 L=9.5	SCREW M3 L=9.5	1
12	10061948	X传感器	X DIRECTION SENSOR	1
13	10003165	螺钉 M5 L=10	SCREW M5 L=10	2
14	10005537	弹簧垫圈 5	WASHER 5	14
15	10063171	X向导轨组件	X LINEAR GUIDE RAIL	1
16	10014395	螺钉 M4 L=14	SCREW M4 L=14	24
17	10001943	螺钉 M5 L=20	SCREW M5 L=20	4
18	10009103	螺钉 M4 L=16	SCREW M4 L=16	4
19	10063166	固定板	TIGHTER PLATE	1
20	10005139	螺钉 M5 L=12	SCREW M5 L=12	1
21	10063158	拉紧块		1
22	10063174	垫圈 35	WASHER 35	1
23	10060464	成对双联角接触球轴承	BEARING	1
24	10063168	固定座		1
25	10003239	挡圈 35	E-RING 35	1
26	10063159	导轨丝杠连接型材		1
27	10063169	X向丝杠		1
28	10009171	螺钉 M6 L=25	SCREW M6 L=25	4
29	10003077	弹簧垫圈 6	WASHER 6	4
30	10002995	垫圈 6	WASHER 6	4
31	10010958	螺钉 M5 L=14	SCREW M5 L=14	8
32	10063177	轴承支撑座		1
33	10009778	6002ZZ轴承	BEARING	1
34	10063156	X向支撑端轴承座		1
35	10012752	螺钉 M4 L=10	SCREW M4 L=10	4
36	10003290	挡圈 15	E-RING 15	1
37	10009187	螺钉 M6 L=8	SCREW M6 L=8	4
38	10012615	联轴器	COUPLING	1
39	10011227	传动连接橡胶块	COUPLING RUBBER	1
40	10063173	联轴器	COUPLING	1
41	10063157	端盖		1
42	10066341	X电机 伺服电机	STEPPING MOTOR	1
43	10006118	螺钉 M5 L=25	SCREW M5 L=25	4

10. X-Y送料部件(3)



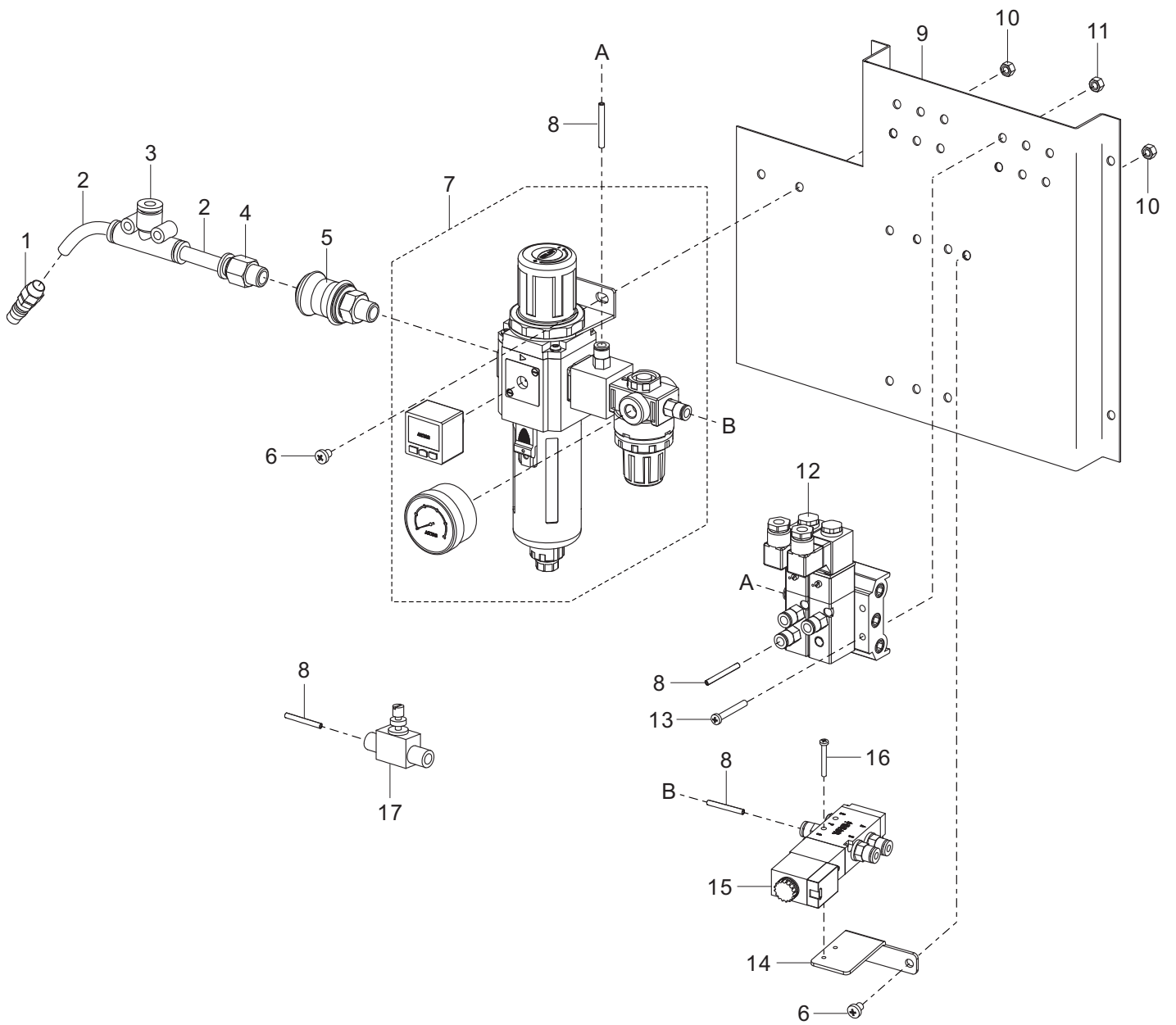
序号 NO.	件号 Part No.	名称	DESCRIPTION	数量 Qty
1	10012073	螺钉 M5 L=16	SCREW M5 L=16	32
2	10005537	弹簧垫圈 5	WASHER 5	62
3	10012318	垫圈 5	WASHER 5	62
4	10002839	销	SPRING PIN	2
5	10000984	螺钉 M3 L=9.5	SCREW M3 L=9.5	3
6	10063132	Y向传感片	DETECTION PLATE	1
7	10063143	导轨连接型材	FEED SEAT	2
8	10002028	螺钉 M6 L=20	SCREW M6 L=20	8
9	10066342	Y电机_伺服电机	STEPPING MOTOR	1
10	10063138	联轴器	COUPLING	1
11	10009187	螺钉 M6 L=8	SCREW M6 L=8	4
12	10011227	传动连接橡胶块	COUPLING RUBBER	1
13	10012613	联轴器	COUPLING	1
14	10003585	6302ZZNR轴承	BEARING	2
15	10012162	螺钉 M5 L=5	SCREW M5 L=5	8
16	10065169	主动齿轮	DRIVE GEAR	2
17	10005258	螺钉 M6×0 75 L= 5	SCREW M6×0 75L= 5	6
18	10005477	输送主轴挡圈	RETAINING RING	3
19	10060319	6202ZZNR轴承	BEARING	2
20	10063384	单向推力球轴承	BEARING	1
21	10063139	驱动轴	WHEEL SHAFT	1
22	10010090	挡圈 15	E-RING 15	1
23	10051271	槽型光耦	GROOVE OPTOCOUPER	1
24	10063133	Y向传感器安装板	SENSOR MOUNTING PLATE	1
25	10001513	螺钉 M3 L=6	SCREW M3 L=6	2
26	10063160	支撑座左		1
27	10001943	螺钉 M5 L=20	SCREW M5 L=20	14
28	10065616	调节块		2
29	10065614	Y向调节板左		1
30	10065615	Y向调节板右		1
31	10000863	螺钉 M4 L=12	SCREW M4 L=12	8
32	10003334	挡圈 12	E-RING 12	2
33	10063137	轴承支撑座		2
34	10063134	支撑端轴承座		2
35	10063824	16001-ZZ轴承	BEARING	2
36	10065674	三丝杠900Y向丝杆		2
37	10003321	挡圈 32	E-RING 32	2
38	10063164	丝杠固定支撑座		2
39	10052298	7201ADB轴承	BEARING	2
40	10052204	固定座端盖		2
41	10012752	螺钉 M4 L=10	SCREW M4 L=10	4
42	10006400	垫片 12.2	WASHER 12.2	2
43	10053324	方形螺母	NUT	2
44	10065833	小圆铜垫片	WASHER	2
45	10010196	螺钉 M3 L=3	SCREW M3 L=3	2
46	10065170	从动齿轮	DRIVEN GEAR	2
47	10009103	螺钉 M4 L=16	SCREW M4 L=16	24

X-Y送料部件(3)

FEEDING COMPONENTS

序号 NO.	件号 Part No.	名称	DESCRIPTION	数量 Qty
48	10065673	三丝杠900Y导轨组件	LINEAR GUIDE RAIL Y	2
49	10063161	支撑座右		1
50	10052480	弹簧垫圈 6	WASHER 6	4
51	10000109	垫圈 6.6	WASHER 6.6	4
52	10010958	螺钉 M5 L=14	SCREW M5 L=14	16

11. 气动部件

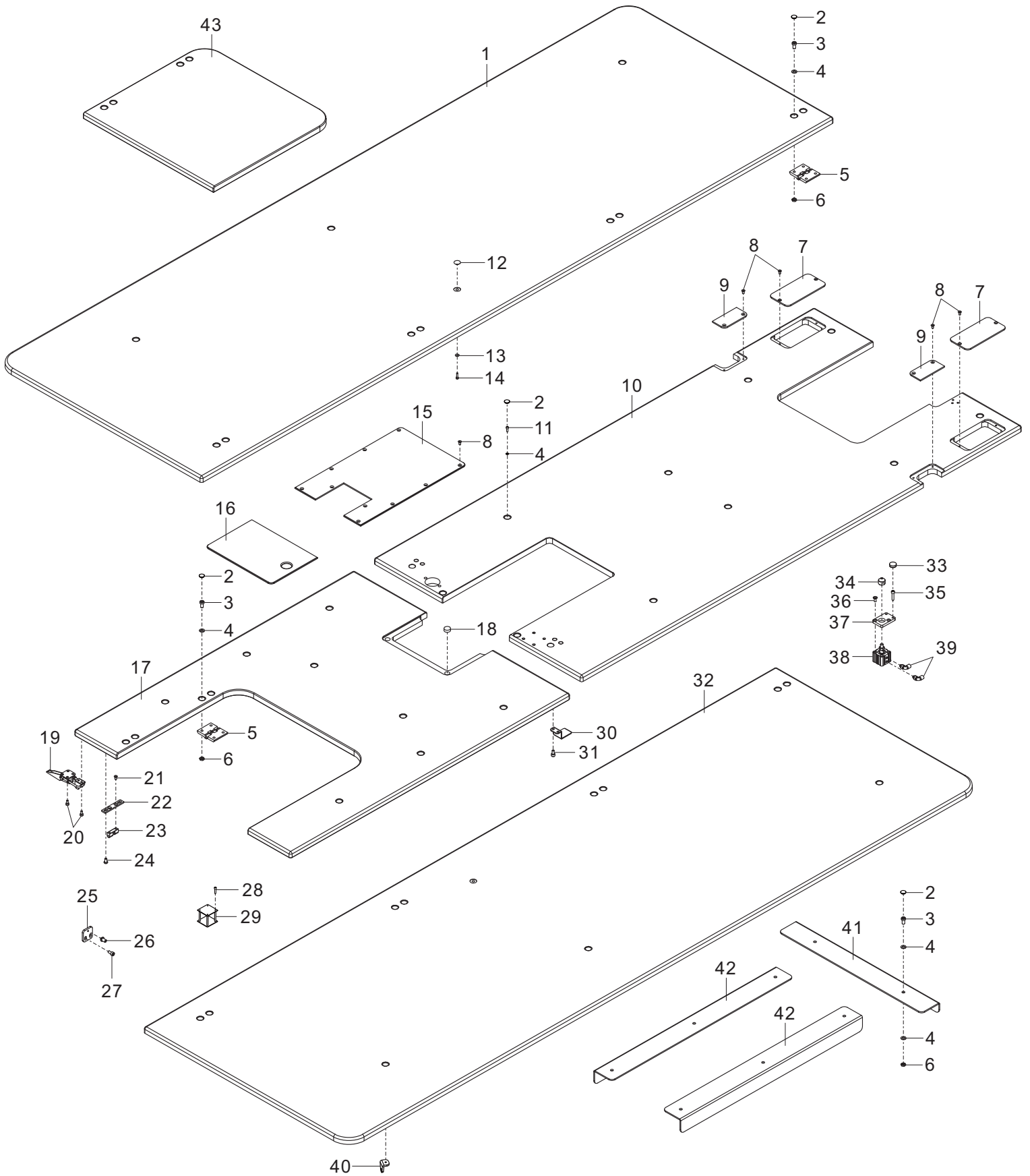


气动部件

PNEUMATIC COMPONENTS

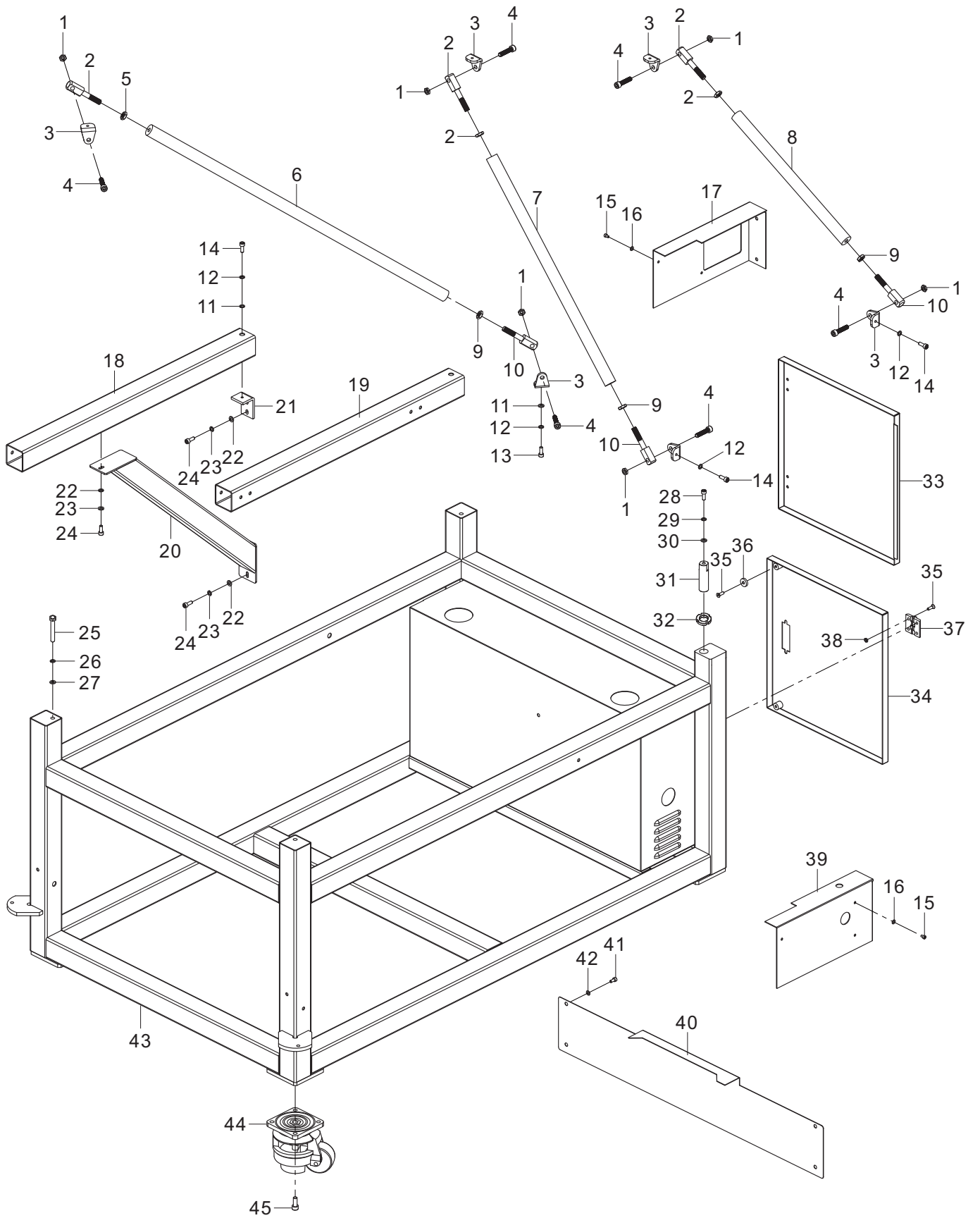
序号 NO.	件号 Part No.	名称	DESCRIPTION	数量 Qty
1	10052372	接头 PP30	PLUD PP30	1
2	10008151	ATC PUC1065透明气管	TUBE $\Phi 10 \times \Phi 6.5$	200
3	10052376	三通快速管接头		1
4	10003458	APC10-02 $\Phi 10$ 阀进气直连接头	PLUD APC10-02 $\Phi 10$	1
5	10052367	ATC HSV08手滑阀	HAND SLIDE VALVE	1
6	10003883	螺钉 M5 L=10	SCREW M5 L=10	4
7	10064657	二联过滤减压阀组件	FILTER REGULATOR	1
8	10008150	$\Phi 2.5 \times \Phi 4$ 气管	TUBE $\Phi 2.5 \times \Phi 4$	45000
9	10065573	气动安装板喷漆		1
10	10009467	螺母 M5	NUT M5	4
11	10009471	螺母 M4	NUT M4	4
12	10064245	二组电磁阀	2 PORT SOLENOID VALVE GROUP	1
13	10002180	螺钉 M4 L=30	SCREW M4 L=30	4
14	10007583	气阀安装板		1
15	10064244	单组电磁阀	1 PORT SOLENOID VALVE GROUP	1
16	10002148	螺钉 M3 L=10	SCREW M3 L=10	2
17	10052369	调压阀NSF 04	PLUG NSF 04	1

12.大缝台部件



序号 NO.	件号 Part No.	名称	DESCRIPTION	数量 Qty
1	10065676	三丝杠900辅助台板左	LEFT TABLE	1
2	10056183	橡胶塞	RUBBER PLUG	32
3	10054136	螺钉 M6 L=12	SCREW M6 L=12	32
4	10012856	垫圈 6.5×12×1	WASHER 6.5×12×1	32
5	10060098	锌合金合页	ZINC ALLOY HINGE	8
6	10003032	螺母 M6	NUT M6	32
7	10055066	电机盖板		2
8	10051846	螺钉	SCREW	18
9	10063165	维修安装板		2
10	10065678	三丝杠900台板面	TABLE	1
11	10009008	螺钉 M6 L=16	SCREW M6 L=16	16
12	10055663	顶销	APEX PIN	2
13	10041012	大垫圈3	WASGER	2
14	10003874	螺钉 M3 L=14	SCREW M3 L=14	2
15	10060340	丝杠款剪线上盖板	COVER LABLE	1
16	10063151	梭芯盖板组件	COVER LABLE	1
17	10065679	三丝杠900小台板	SMALL TABLE	1
18	10001096	磁铁	MAGNET	2
19	10064183	快速夹头		2
20	10005350	螺钉 M4 L=8	SCREW M4 L=8	12
21	10051846	螺钉 M4 L=8	SCREW M4 L=8	4
22	10063108	铰链座过渡板		2
23	10029899	铰链座		2
24	10007096	螺钉 M5 L=10	SCREW M5 L=10	4
25	10063107	小台板调节板		2
26	10063109	铰链轴位		2
27	10000259	螺钉 M5 L=12	SCREW M5 L=12	2
28	10000909	螺钉 M3 L=8	SCREW M3 L=8	4
29	10061934	RFID扫码识别器	RFID CODE RECOGNIZER	1
30	10063152	小台板拉板		2
31	10003165	螺钉 M5 L=10	SCREW M5 L=10	4
32	10065677	三丝杠900辅助台板右	RIGHT TABLE	1
33	10061304	橡胶塞	RUBBER PLUG	4
34	10059444	模板顶柱	TOP COLUMN	2
35	10003141	螺钉 M5 L=20	SCREW M5 L=20	4
36	10022252	螺钉 M4 L=10	SCREW M4 L=10	4
37	10063114	气缸垫板		2
38	10054462	气缸	AIR CYLINDER	2
39	10052378	气管接头	TIE-IN	4
40	10055082	支撑板6	RIGHT TABLE	12
41	10066488	台板支撑角铝2		1
42	10066487	台板支撑角铝1		2
43	10058528	900翻转小台板	FLIP PLATE	2

13.机架部件

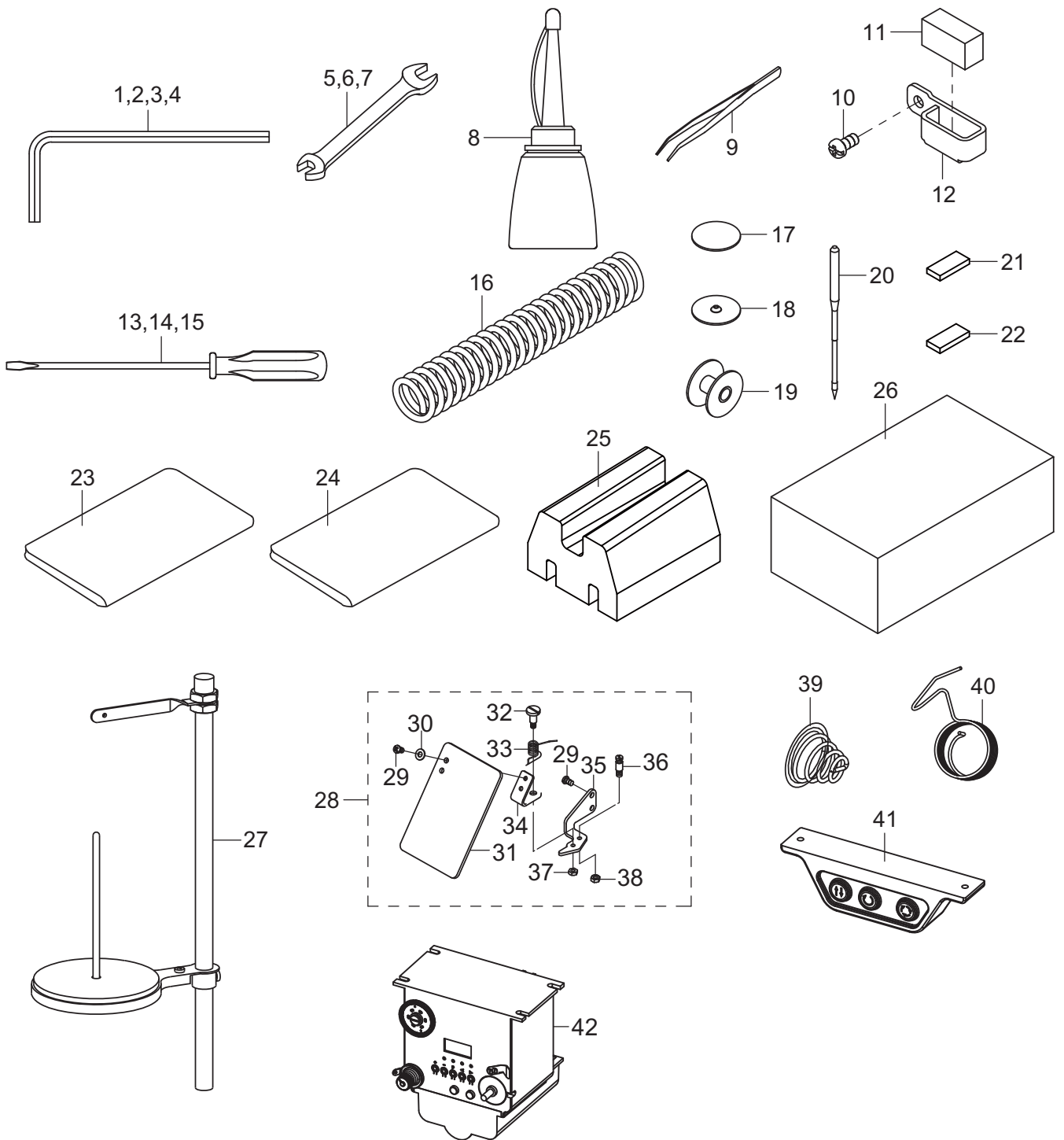


机架部件

MACHINE FRAME COMPONENTS

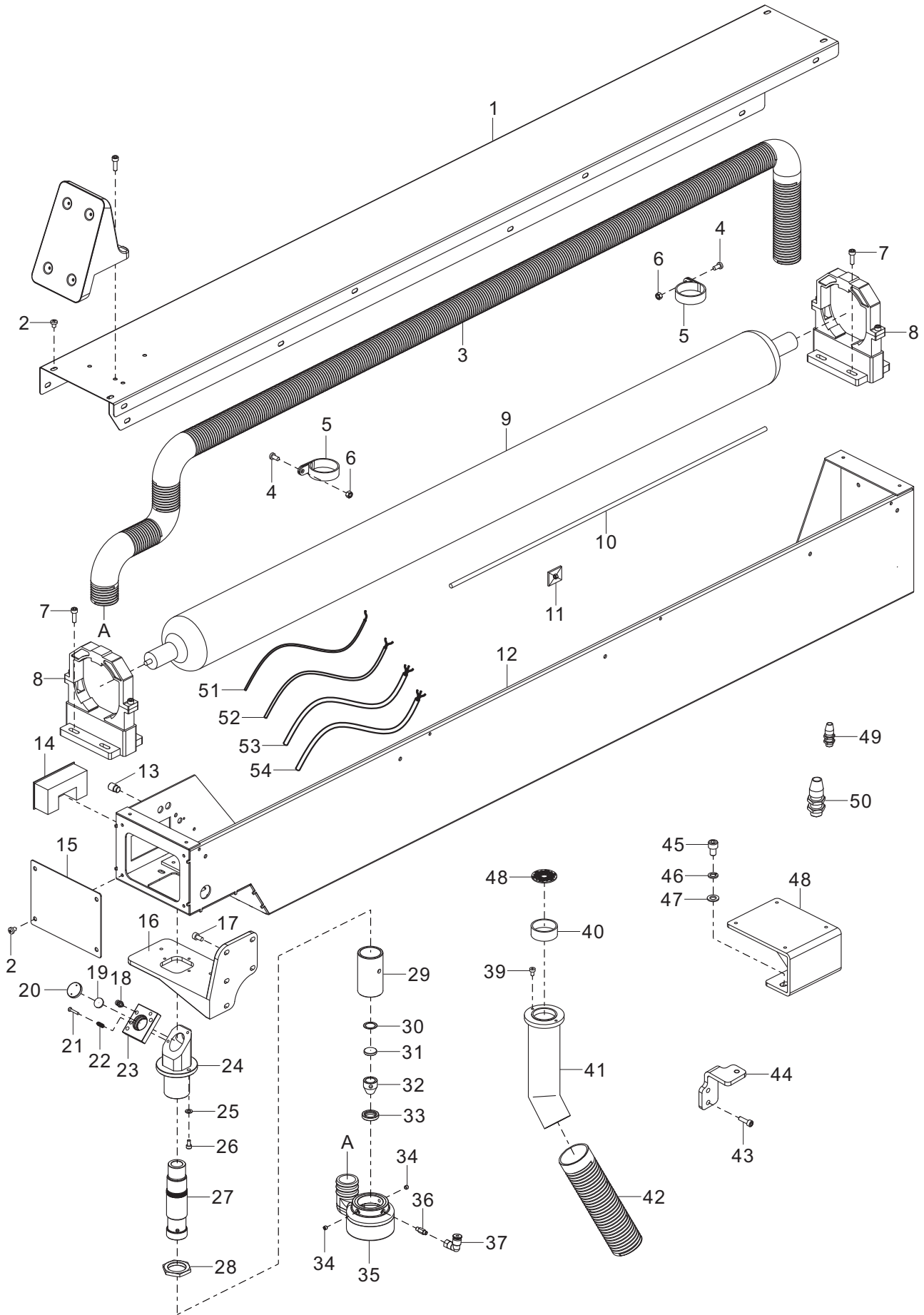
序号 NO.	件号 Part No.	名称	DESCRIPTION	数量 Qty
1	10003131	螺母 M8	NUT M8	12
2	10054069	接头A	JOINT A	6
3	10055082	支撑板6		12
4	10038972	螺钉 M8 L=35	SCREW M8 L=35	12
5	10054091	螺母 M10	NUT M10	6
6	20020208	支撑杆喷漆件	SUPPORT ROD	2
7	20020207	支撑杆喷漆件	SUPPORT ROD	2
8	20024142	支撑杆喷漆	SUPPORT ROD	2
9	10054090	螺母 M10 左旋	NUT LEFT M10	6
10	10054070	接头B	JOINT B	6
11	10003077	垫圈 6	WASHER 6	4
12	10052480	弹簧垫圈 6	SPRING WASHER 6	8
13	10009008	螺钉 M6 L=16	SCREW M6 L=16	2
14	10054136	螺钉 M6 L=12	SCREW M6 L=12	6
15	10000863	螺钉 M4 L=12	SCREW M4 L=12	6
16	10002954	垫圈 4	WASHER 4	6
17	20024143	左挡板喷漆	LEFT BAFFLE	1
18	20025256	小台板支撑方管左喷漆		1
19	20025257	小台板支撑方管右喷漆		1
20	20024141	小台板支撑方管喷漆		2
21	10063103	台板安装板		2
22	10000480	垫圈 6	WASHER 6	6
23	10005537	弹簧垫圈 5	SPRING WASHER 5	6
24	10012073	螺钉 M5 L=16	SCREW M5 L=16	6
25	10003979	螺钉 M10 L=35	SCREW M10 L=35	3
26		弹簧垫圈 10	SPRING WASHER 10	3
27	10052041	垫圈 10	WASHER 10	3
28	10001757	螺钉 M8 L=35	SCREW M8 L=35	1
29	10002986	弹簧垫圈 8	SPRING WASHER 8	1
30	10012839	垫圈 8	WASHER 8	1
31	10054074	螺柱 M20×1.5	SCREW M20×1.5	1
32	10054086	小圆螺母 M20×1.5	NUT M20×1.5	1
33	10063129	电器柜右门	ELECTRIC CONTROL BOX RIGHT DOOR	1
34	10063128	电器柜左门	ELECTRIC CONTROL BOX LEFT DOOR	1
35	10003306	螺钉 M5 L=10	SCREW M5 L=10	18
36	10059339	磁铁	MAGNET	2
37	10059338	金属合页	METAL HING	2
38	10009467	螺母 M5	NUT M5	16
39	20024144	右挡板喷漆	RIGHT BAFFLE	1
40	20024145	后挡板喷漆	BACK BAFFLE	1
41	10005139	螺钉 M5 L=12	SCREW M5 L=12	4
42	10012318	垫圈 5	WASHER 5	1
43	10065672	三丝杠900机架体	MACHINE FRAME	1
44	10057044	一体式脚轮	INTEGRAL ANGLE WHEEL	4
45	10003093	螺钉 M8 L=20	SCREW M8 L=20	16

14. 附件部件



序号 NO.	件号 Part No.	名称	DESCRIPTION	数量 Qty
1	10009685	内六角扳手 2.5	HEXAGONAL WRENCH 2.5	1
2	10009687	内六角扳手 3	HEXAGONAL WRENCH 3	1
3	10009689	内六角扳手 4	HEXAGONAL WRENCH 4	1
4	10009689	内六角扳手 5	HEXAGONAL WRENCH 5	1
5	10003369	呆扳手 8×0	WRENCH 8×0	1
6	10003368	呆扳手 9×1	WRENCH 9×1	1
7	10003368	呆扳手 9×1	WRENCH 9×1	1
8	10005356	油壶	OLI CAN	1
9	10004247	镊子组件	TWEEZERS	1
10	10011143	螺钉 SM9/64"×40 L=7	SCREW SM9/64"×40 L=7	1
11	10000396	硅油毡	FELT	1
12	10000398	硅油板	THREAD GUIDE	1
13	10010994	大螺丝刀	SCREW DRIVER LARGE	1
14	10010995	中螺丝刀	SCREW DRIVER MIDDLE	1
15	10013185	小螺丝刀	SCREW DRIVER SMALL	1
16	60000115	吹气管	INPUT TUBE	1
17	10060484	38IC卡		20
18	10041780	运模车小针板	SMALL NEEDLE PLATE	1
19	10063086	梭心	BOBBIN	2
20	10053820	机针 DP×5 1 0#	NEEDLE DP×5 1 0#	10
21	10040794	U盘		1
22	10047881	PDS打板软件及加密狗		1
23	10041948	750运模车机头罩	MACHINE HEAD COVER	1
24	10051094	750防雨罩		1
25	10041496	机头发泡		1
26	10000159	附件箱	ACCESSORY BOX	1
27	10057269	单线架组件	THREAD STAND	1
28	20004358	眼睛防护罩组件	SAFETY PLATE ASM	1
29	10011570	螺钉 SM11/64"×40 L=7	SCREW SM11/64"×40 L=7	(4)
30	10011680	垫圈 4.6×9.7×0.8	WASHER 4.6×9.7×0.8	(2)
31	10011636	安全板	SAFETY PLATE	(1)
32	10011677	螺钉轴	HINGE SCREW	(1)
33	10011678	弹簧	SPRING	(1)
34	10011684	安全板架组件	SAFETY PLATE INSTALLING PLATE B	(1)
35	10011632	安全板座	SAFETY PLATE INSTALLING PLATE A	(1)
36	10011633	销钉	SCREW PIN	(1)
37	10010370	螺母 SM11/64"×40	NUT SM11/64"×40	(1)
38	10011682	螺母 SM3/16"×28	NUT SM3/16"×28	(1)
39	10004176	弹簧	SPRING	1
40	10039203	挑线簧	SPRING	1
41	10059336	模板机启动开关组件		1
42	10057350	绕线器组件	BOBBIN WINDER UNIT	1

15. 上激光部件(1)



上激光部件(1)

WIPER MECHANISM COMPONENTS

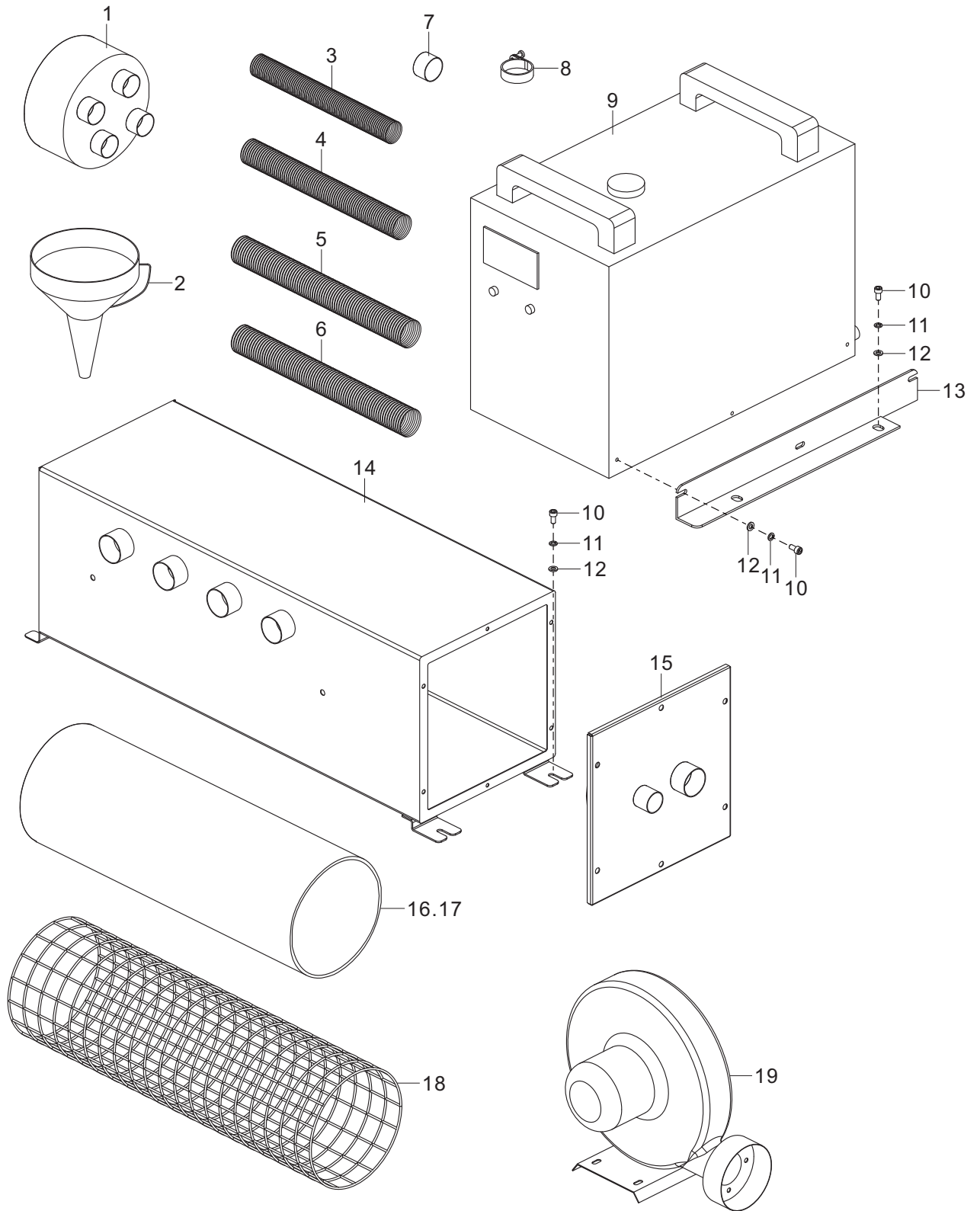
序号 NO.	件号 Part No.	名称	DESCRIPTION	数量 Qty
1	10062443	激光管上盖		1
2	10012599	螺钉 M5 L=7.8	SCREW M5 L=7.8	18
3	10061357	波纹管 32		1
4	10003049	螺钉 M4 L=12	SCREW M4 L=12	2
5	10035669	卡箍圈 32-44		2
6	10009471	螺母 M4	SCREW M4	2
7	10003164	螺钉 M5 L=16	SCREW M5 L=16	8
8	10062450	激光管固定座B		2
9	10058816	激光管 80W		1
10	10058871	硅胶水管		3000
11	10059777	扎带吸盘		5
12	10062442	激光管罩壳		1
13	10060529	变位器 激光管		1
14	10062451	LED直流电流表		1
15	10062441	激光罩壳前盖		1
16	10067057	前支撑座		1
17	10010953	螺钉 M5 L=10	SCREW M5 L=10	5
18	10059423	反光镜调节铜螺钉		3
19	10059421	反光镜		1
20	10059417	激光反光镜盖		1
21	10005041	螺钉 M4 L=10	SCREW M4 L=10	2
22	10059422	反光镜调节弹簧		2
23	10062433	反光镜安装板		1
24	10062429	压料导向安装座		1
25	10012318	垫圈 5	WASHER 5	3
26	10014395	螺钉 M4 L=14	SCREW M4 L=14	3
27	10062427	聚焦镜座		1
28	10062428	聚焦镜座锁紧螺母		1
29	10062424	压料导向套		1
30	10060555	聚光镜压紧垫圈		1
31	10062448	聚光镜50.8		1
32	10062426	聚焦镜盖		1
33	10062425	聚焦端盖		1
34	10012014	螺钉 M5 L=4	SCREW M5 L=4	2
35	10062421	吸气罩		1
36	10062422	进气接头		1
37	10062447	气缸接头	JOINT	1
38	10058749	下吸气蜂窝板		1
39	10040655	螺钉 M4 L=8	SCREW M4 L=4	2
40	10066218	间隔套		1
41	10066216	800三丝杆下吸气管组件		1
42	10062606	波纹管 40		1
43	10007096	螺钉 M5 L=10	SCREW M5 L=10	4
44	10058739	台板固定板		1
45	10048475	螺栓 M8 L=16	SCREW M8 L=16	2
46	10002986	弹簧垫圈 8	SPRING WASHER 8	2
47	10003031	垫圈 8	WASHER 8	2
48	10067056	后支撑座		1
49	10059225	激光电源线固定接头M12		2

上激光部件(1)

WIPER MECHANISM COMPONENTS

序号 NO.	件号 Part No.	名称	DESCRIPTION	数量 Qty
50	10058824	总进气管固定接头M22		2
51	10059881	激光管低压线1芯		3000
52	10059882	2芯线缆		4200
53	10060023	三芯电源线		4500
54	10060097	变位器信号线3芯		5000

16. 上激光部件(2)



上激光部件(2)

WIPER MECHANISM COMPONENTS

序号 NO.	件号 Part No.	名称	DESCRIPTION	数量 Qty
1	10062416	鼓风机法兰接头		1
2	10059428	加水漏斗		1
3	10061357	32波纹管3米		1
4	10065597	PE普通-AD34.5(内径29)		300
5	10065589	40波纹管1.5米		1
6	10062606	40波纹管2.5米		2
7	10062758	鼓风机法兰橡胶套40		4
8	10035669	卡箍圈 32-44		2
9	10063247	水冷机2		1
10	10003164	螺栓 M5 L=16	SCREW M5 L=16	9
11	10005537	弹簧垫圈 5	SPRING WASHER 5	9
12	10000480	垫圈 5	WASHER 5	9
13	10059413	水箱安装角铁		1
14	10066213	800三丝杆过滤箱		1
15	10062415	过滤箱盖		1
16	10065595	过滤棉		1
17	10065596	过滤毡		1
18				
19	10061991	鼓风机组件_大风量 500W		1