

CONTENTS

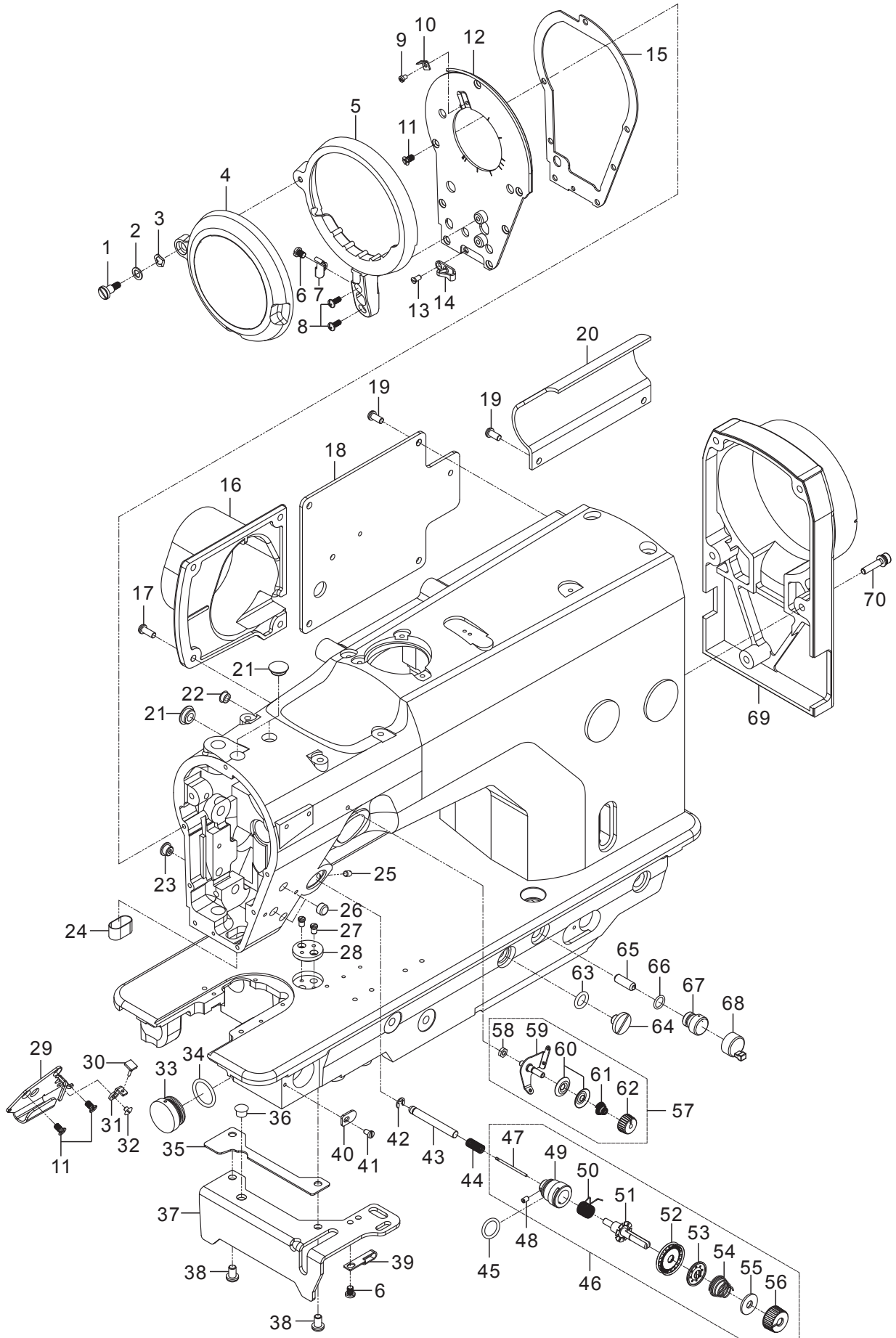
目录

1. FRAME & MISCELLANEOUS COVER COMPONENTS I	01
机体部件 I	
2. FRAME & MISCELLANEOUS COVER COMPONENTS II	04
机体部件 II	
3. MAIN SHAFT & THREAD TAKE-UP & NEEDLE BAR COMPONENTS.....	07
挑线刺布部件	
4. NEEDLE VIBRATOR COMPONENTS.....	10
摆针部件	
5. HAND LIFTER COMPONENTS.....	12
抬压脚部件	
6. FEED MECHANISM COMPONENTS I	15
送料部件 I	
7. FEED MECHANISM COMPONENTS II	17
送料部件 II	
8. HOOK DRIVING SHAFT COMPONENTS I	19
下轴部件 I	
9. HOOK DRIVING SHAFT COMPONENTS II	21
下轴部件 II	
10. THREAD TRIMMER MECHANISM COMPONENTS.....	23
切刀部件.	
11. AUTOMATIC REVERSE FEED MECHANISM COMPONENTS.....	26
自动倒送料部件	
12. THREAD FEEDER COMPONENTS.....	28
挑线部件	
13. THREAD RELEASE SOLENOID COMPONENTS.....	30
松线部件	
14. LUBRICATION COMPONENTS.....	32
油路部件	
15. WIPER MECHANISM COMPONENTS.....	34
拨线部件	
16. UNDER COVER COMPONENTS.....	36
油盘部件	
17. THREAD STAND COMPONENTS.....	38
线架部件	
18. ACCESSORIE PART COMPONENTS.....	40
附件	

注：☆标记的零件为各品牌专用件，各品牌物料号见附件专用件列表。

1. 机体部件 I

FRAME&MISCELLANEOUS COVER COMPONENTS I

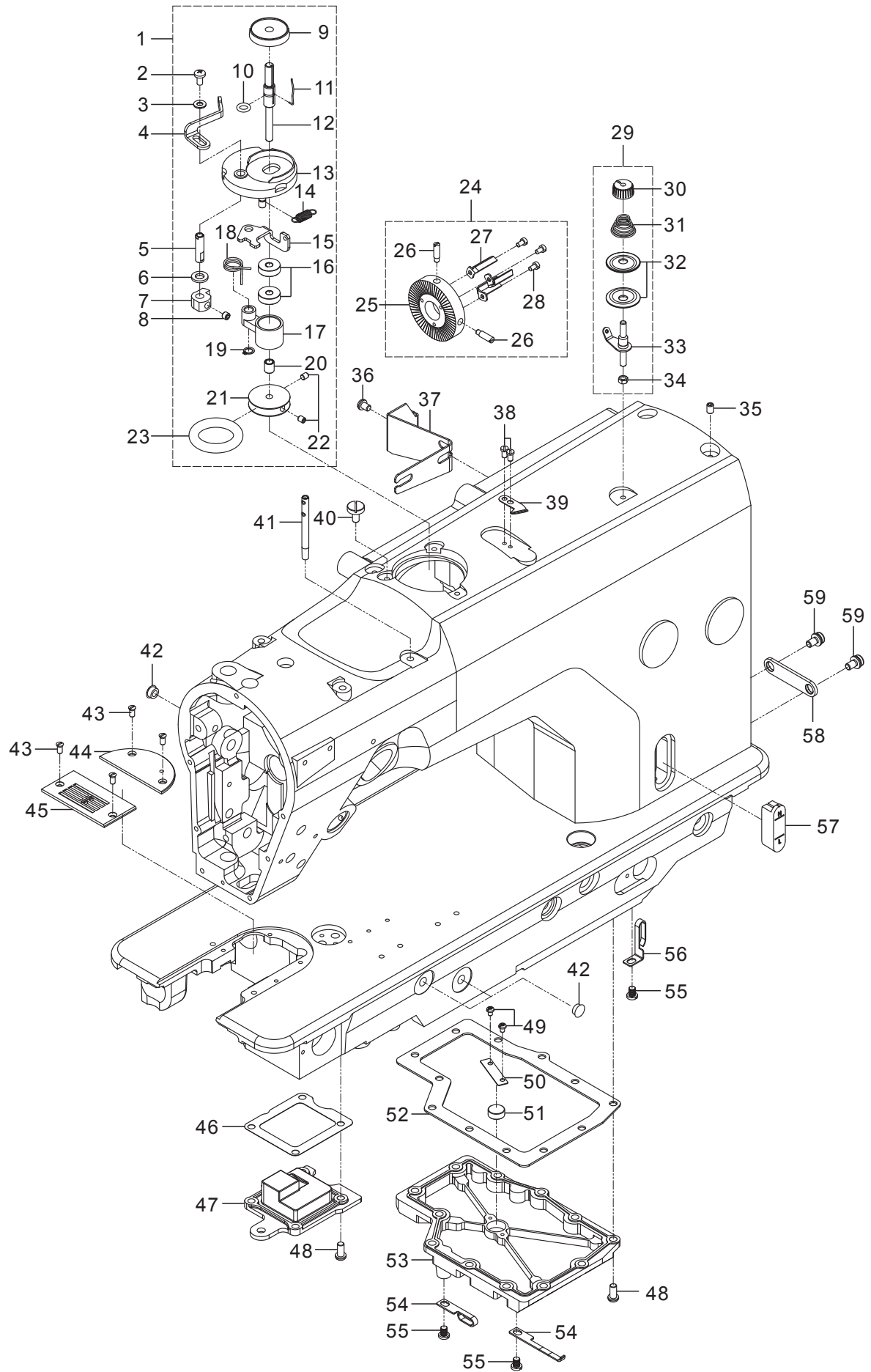


1. 机体部件 I				
FRAME&MISCELLANEOUS COVER COMPONENTS I				
序号 NO.	图号 Part No.	描述	Description	数量
1	10000107	螺钉	HINGE SCREW	1
2	10000106	护盖罩窗弹簧垫	WAVED WASHER	1
3	10000109	垫片	WASHER	1
4	10000190	挑线盘防护罩组件☆	BALANCE COVER	1
5	20003377	挑线盘防护盖☆	BALANCE COVER BASE	1
6	10000098	螺钉	SCREW	2
7	10000083	护盖弹簧片	SPRING	1
8	10000099	螺钉	SCREW	2
9	10009743	螺钉	SCREW	1
10	10000108	面板刀片	TAKE-UP THREAD CUTTER	1
11	10000101	螺钉	SCREW	9
12	10000122	面板组件	FACE PLATE COMPL.	1
13	10009890	螺钉	SCREW	1
14	10000102	导线架	SPRING GUARD	1
15	10000103	面板垫	FACE PLATE PACKING	1
16	20011450	步进电机罩☆	NEEDLE VIBRATOR UNIT COVER	1
17	10000512	螺钉	SCREW	4
18	20003467	自动抬压脚电磁铁安装板		1
19	10001281	螺钉	SCREW	6
20	20003367	电线压盖	CONNECTING ROD	1
21	10011099	橡胶塞	RUBBER PLUG	3
22	10000091	左侧小油塞	RUBBER PLUG	1
23	10000090	摆动架销油塞	RUBBER PLUG	1
24	10000089	摆动架槽框	ARM OIL SHIELD	1
25	10002434	螺钉	SCREW	1
26	10000086	油塞	DRIVING STOPPER RUBBER	2
27	10004374	螺钉	SCREW	2
28	10004373	限位挡板	RULER STOP SEAT	1
29	10000084	过线板	BALANCE THREAD GUIDE	1
30	10000645	挑线簧定位橡胶	RUBBER STOPPER	1
31	10000104	挑线簧限位板	SPRING GUARD	1
32	10021329	螺钉	SCREW	1
33	10000095	旋梭箱铝塞	GEAR BOX CAP	1
34	10000189	铝塞O形圈	RUBBER RING	1
35	10000080	前支脚垫	BED SUPPORT PLATE PACKING	1
36	10000076	前支脚油塞	RUBBER PLUG	1
37	10000078	前支脚	BED SUPPORT PLATE A	1
38	10000077	螺钉	SCREW	2
39	10000082	前支脚油线夹	OIL RETURN TUBE HOLDER	1
40	10037916	轴承固定板	BEAR PRESSER	1
41	10000097	螺钉	SCREW	1
42	10009653	挡圈	E-RING	1
43	10000105	松线杆	THREAD RELEASE AUXILIARY PIN	1
44	10000087	松线杆复位弹簧	THREAD RELEASE PIN SPRING	1
45	10000088	夹线器O形圈	RUBBER RING	1
46	10000657	夹线器组件☆	THREAD TENSION ASM.	1

47	10000660	松线钉	THREAD RELEASE PIN	1
48	10004200	螺钉	SCREW	1
49	10000120	夹线器座	THREAD TENSION ROD BASE ASM.	1
50	10000115	挑线簧	TAKE-UP SPRING	1
51	10000123	螺钉	THREAD TENSION ROD COMPL.	1
52	10000154	过线盘焊合	THREAD TENSION DISK COMPL.	1
53	10000116	松线板	TENSION DISC HOLDER	1
54	10000659	夹线簧	TENSION SPRING	1
55	10004090	垫圈	ROTATION STOPPER	1
56	10012981	螺母☆	THREAD TENSION NUT	1
57	10000131	中过线器组件☆	PRE-TENSION CONTROLLER ASM.	1
58	10014367	螺母	NUT	1
59	10000145	中过线板组件		1
60	10004096	上夹线盘	THREAD TENSION DISK	2
61	10000156	夹线簧	TENSION SPRING	1
62	10004503	螺母☆	THREAD TENSION NUT	1
63	10000079	齿轮箱密封O形圈	RUBBER RING	1
64	10000075	螺钉	SCREW	1
65	10021559	销	CABLE BAND	1
66	10012139	O形圈	RUBBER RING	1
67	10002483	透气阀	AIR-DISCHARGING	1
68	10008771	橡胶盖	ARD-DISCHARGING CAP	1
69	20017415	后罩☆	PULLEY COVER	1
70	10000157	螺钉	SCREW	5

2. 机体部件 II

FRAME&MISCELLANEOUS COVER COMPONENTS II

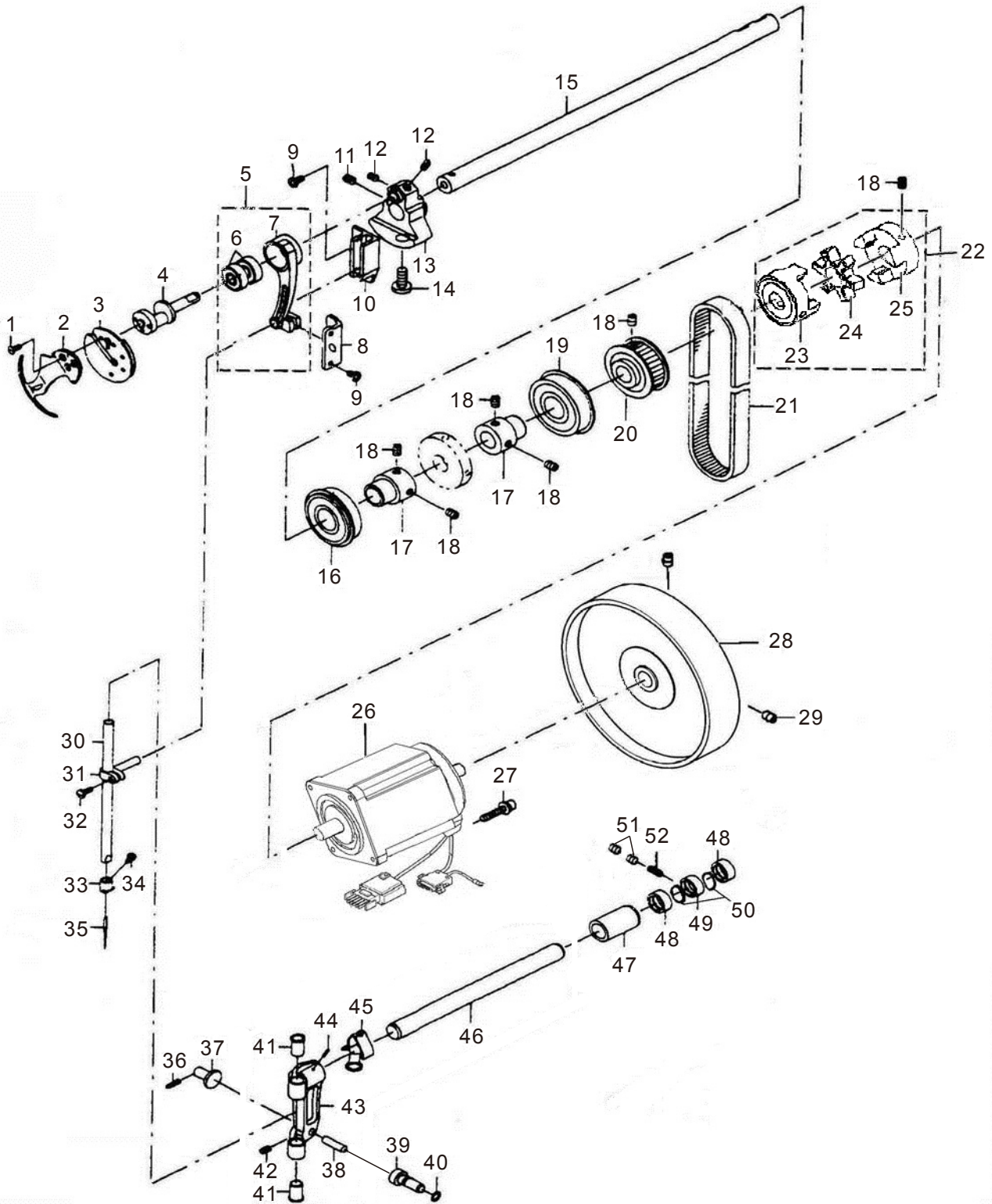


2. 机体部件 II				
FRAME&MISCELLANEOUS COVER COMPONENTS II				
序号 NO.	图号 Part No.	描述	Description	数量
1	10031086	绕线器☆	BOBBIN DEVICE ASM.	1
2	10009455	螺钉	SCREW	1
3	10003122	垫圈	WASHER	1
4	10030709	手柄	BOBBIN LEVER	1
5	10027396	定位块轴		1
6	10031170	垫圈	WASHER	1
7	10027395	绕线定位块		1
8	10012014	螺钉	SCREW	1
9	10027390	绕线轴垫	CUSHION	1
10	10027399	O型圈	RUBBER RING	1
11	10031058	绕线器芯	LATCH SPRING	1
12	10031088	绕线轴	BOBBIN WINDER SHAFT	1
13	10031087	绕线座组件		1
14	10027394	拉簧	SPRING	1
15	10027391	控制板	ASJUSTING PLATE	1
16	10003517	轴承	BEARRING	2
17	10027388	摆动连杆		1
18	10038225	扭簧	SPRING	1
19	10003278	挡圈		1
20	10035661	轴套		1
21	10027392	绕线轮		1
22	10002896	螺钉	SCREW	2
23	10008773	橡胶轮	RING	1
24	20000069	绕线器主动轮组件	BOBBIN DRIVING WHEEL ASM.	1
25	10000172	绕线主动轮	BOBBIN DRIVING WHEEL	1
26	10011223	螺钉	SCREW	2
27	10000153	主动轮支脚	BOBBIN DRIVING WHEEL BLADE	3
28	10000173	螺钉	SCREW	3
29	10013064	绕线夹线器组件☆	BOBBIN THREAD TENSION ASM.	1
30	10004390	塑料夹线螺母☆	THREAD TENSION NUT	1
31	10004391	弹簧	THREAD TENSION SPRING	1
32	10004393	夹线板	BOBBIN WINDER TENSION DISC	2
33	10004504	中过线板组件	BOBBIN THREAD TENSION ROD ASM.	1
34	10004507	螺母	NUT	1
35	10026903	螺钉	SCREW	3
36	10000148	螺钉	SCREW	1
37	10000146	油线架	HEAD LUBRICATION PIPE STOPPER	1
38	10000164	螺钉	SCREW	2
39	10011149	绕线切刀	THREAD CUTTER	1
40	10000149	绕线器螺钉	SCREW	3
41	10000167	两眼过线柱	SAFETY SWITCH ARM	1
42	10000091	左侧小油塞	RUBBER PLUG	3
43	10009890	螺钉	SCREW	4
44	10000165	内盖板	BED PLATE	1
45	10000166	针板	NEEDLE PLATE	1
46	10000168	旋梭齿轮箱盖垫	GEAR BOX (SMALL) PACKING	1
47	10000125	旋梭齿轮箱盖	GEAR BOX (SMALL) COVER	1

48	10001281	螺钉	SCREW	16
49	10000040	螺钉	SCREW	2
50	10001242	垫板	SUBPLATE	1
51	10001096	磁铁	MAGNET	1
52	10000127	油箱盖垫	GEAR BOX (LARGE) PACKING	1
53	10000126	油箱盖	GEAR BOX (LARGE) COVER	1
54	10000082	前支脚油线夹	LUBRICATING OIL WICK STOPPER	2
55	10000098	螺钉	SCREW	3
56	10000675	线夹		1
57	10008772	油标窗	OIL SIGHT WINDOW	1
58	10000150	电线压板	CONNECTING ROD	1
59	10000152	螺钉	SCREW	2

3.挑线刺布部件

MAIN SHAFT&THREAD TAKE-UP&NEEDLE BAR COMPONENTS



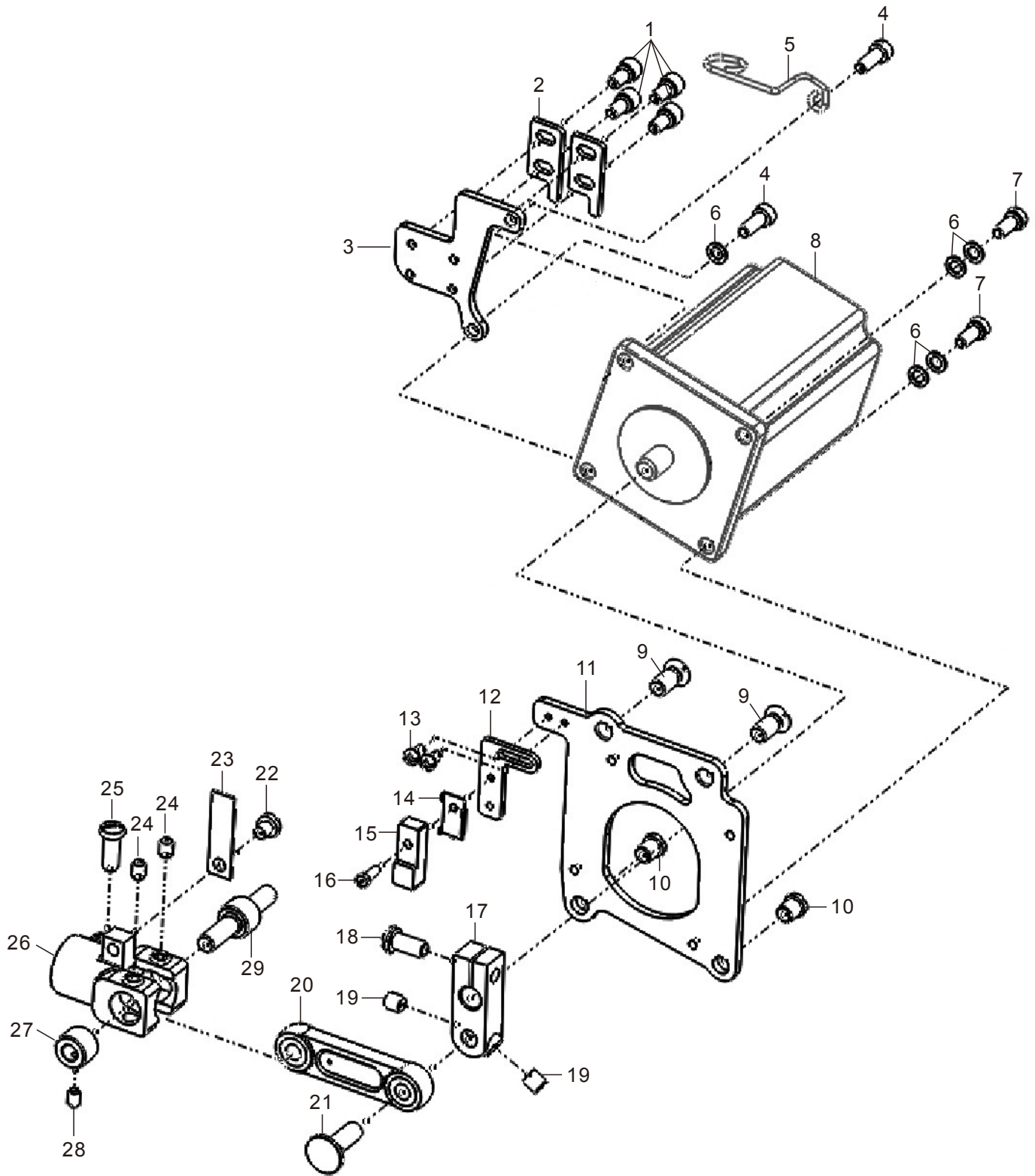
3. 挑线刺布部件

MAIN SHAFT&THREAD TAKE-UP&NEEDLE BAR COMPONENTS				
序号 NO.	图号 Part No.	描述	Description	数量
1	10009890	螺钉	SCREW	3
2	10000337	旋转挑线盘	BALANCE V	1
3	10000232	旋转挑线盘座组件	TAKE-UP COUNTERWEIGHT ASM.	1
4	10008538	挑线曲柄轴	NEEDLE ROD SHAFT	1
5	20000122	针杆连杆组件	NEEDLE ROD CRANK ROD ASM.	1
6	10003586	轴承	BUSHING	2
7	10000310	针杆连杆	NEEDLE ROD CRANK ROD	1
8	10000319	小连杆导板	NEEDLE ROD CRANK ROD GUIDE	1
9	10000264	螺钉	SCREW	4
10	10000307	针杆连接柱导轨	NEEDLE ROD HOLDER GUIDE	1
11	10000312	螺钉	SCREW	1
12	10011642	螺钉	SCREW	2
13	10000311	针杆曲柄	COUNTER WEIGHT	1
14	10010545	螺钉	SCREW	1
15	10000315	上轴	UPPER SHAFT	1
16	10025881	轴承	BEARING	1
17	10000313	上轴轴承挡圈	MAIN SHAFT BEARING SUPPORT	2
18	10000314	螺钉	SCREW	10
19	10003603	轴承	BEARING	1
20	10000648	上轴带轮	UPPER SHAFT SPROCKET	1
21	10000316	同步齿形带	TIMING BELT	1
22	20006612	离合器组件	SHAFT COUPLING ASM.	1
23	10000868	连接前块	NEEDLE ROD CRANK	1
24	10011227	橡胶块	RUBBER	1
25	10000838	连接后块	COUPLING	1
26	10034165	伺服电机	MOTOR A ASM.	1
27	10000233	螺钉	SCREW	4
28	20004078	上轮	HAND WHEEL	1
29	10012162	螺钉	SCREW	2
30	10000203	针杆	NEEDLE ROD	1
31	10000309	针杆连接柱	NEEDLE BAR CONNECTION	1
32	10010018	螺钉	SCREW	1
33	10000322	针杆线钩	THRED RACK. RIGHT	1
34	10010588	螺钉	SCREW	1
35	10003366	机针☆	NEEDLE (DPx5 #10)	1
36	10000320	螺钉	SCREW	1
37	10000647	摆动架左定位销	SUPPORT BASE GUIDE PIN B	1
38	10000204	针杆摆动架销	SUPPORT BASE GUIDE SHAFT	1
39	10000646	摆动架右定位销	SUPPORT BASE GUIDE PIN A	1
40	10000321	摆动架右定位销O型圈	RUBBER RING	1
41	10000228	针杆轴套	NEEDLE ROD METAL	2
42	10000205	螺钉	SCREW	1
43	10000227	针杆摆动架	NEEDLE ROD SUPPORT BASE	1
44	10003469	销	SPRING PIN	1
45	10000306	摆动架毛毡	NEEDLE ROD SUPPORT BASE FELT	1
46	10000229	针杆摆动架轴	NEEDLE ROD SUPPORT BASE SHAFT	1
47	10000192	针杆摆动架前套	SUPPORT BASE SHAFT FRONT METAL	1

48	10000308	摆动架后外套	SUPPORT BASE SHAFT FRONT METAL	2
49	10000191	摆动架后中套	SUPPORT BASE SHAFT REAR METAL	1
50	10000193	摆动架套垫圈	WASHER	2
51	10011642	螺钉	SCREW	2
52	10000317	摆动架后中套弹簧	SPRING	1

4. 摆针部件

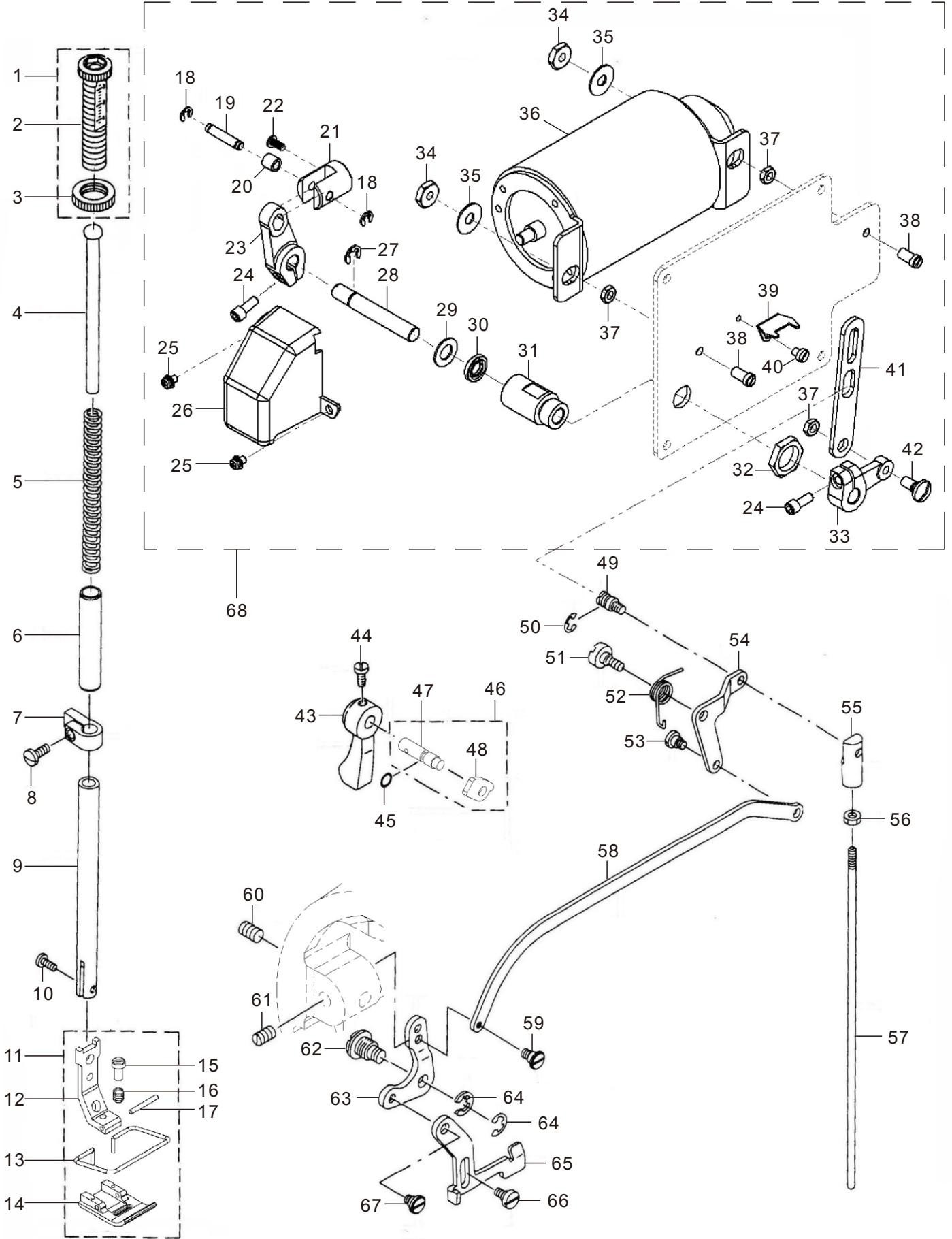
NEEDLE VIBRATOR COMPONENTS



4. 摆针部件				
NEEDLE VIBRATOR COMPONENTS				
序号 NO.	图号 Part No.	描述	Description	数量
1	10000348	螺钉	SCREW	4
2	10008404	限位挡板		2
3	10038085	安装板		1
4	10000863	螺钉	SCREW	2
5	10000343	电线定位弹簧	CORD CLAMP	1
6	10000417	垫片	WASHER	5
7	10000342	螺钉	SCREW	2
8	10034166	步进电机	PULSE MOTOR	1
9	10000340	螺钉	SCREW	2
10	10000341	螺钉	SCREW	2
11	10025488	步进电机安装板	NEEDLE VIBRATOR UNIT BASIS	1
12	10000344	步进电机感应器安装板	SENSOR FITTING PLATE	1
13	10000345	螺钉	SCREW	2
14	10000346	感应器固定板		1
15	10000977	步进电机感应器	ZERO SENSOR A ASM.	1
16	10003060	螺钉	SCREW	1
17	10024828	摆动架驱动块	MOTOR LINK	1
18	10008776	螺钉	SCREW	1
19	10008775	螺钉	SCREW	2
20	10000681	摆动架连杆组件	SHAFT CONNECTION LINK ASM.	1
21	10000640	摆动架连杆销	NEEDLE VIBRATOR JUNCTION ROD	1
22	10000513	螺钉	SCREW	1
23	10003265	感应器挡板	SENSOR SLIT	1
24	10009741	螺钉	SCREW	2
25	10000347	螺钉	SCREW	1
26	10000682	摆动架连接座	SUPPORT BASE SHAFT CONNECTION	1
27	10000684	摆动架连杆轴套	SHAFT CONNECTION BUSH	1
28	10009873	螺钉	SCREW	1
29	10000683	摆动架连杆轴	SHAFT CONNECTION PIN	1

5. 抬压脚部件

HAND LIFTER COMPONENTS

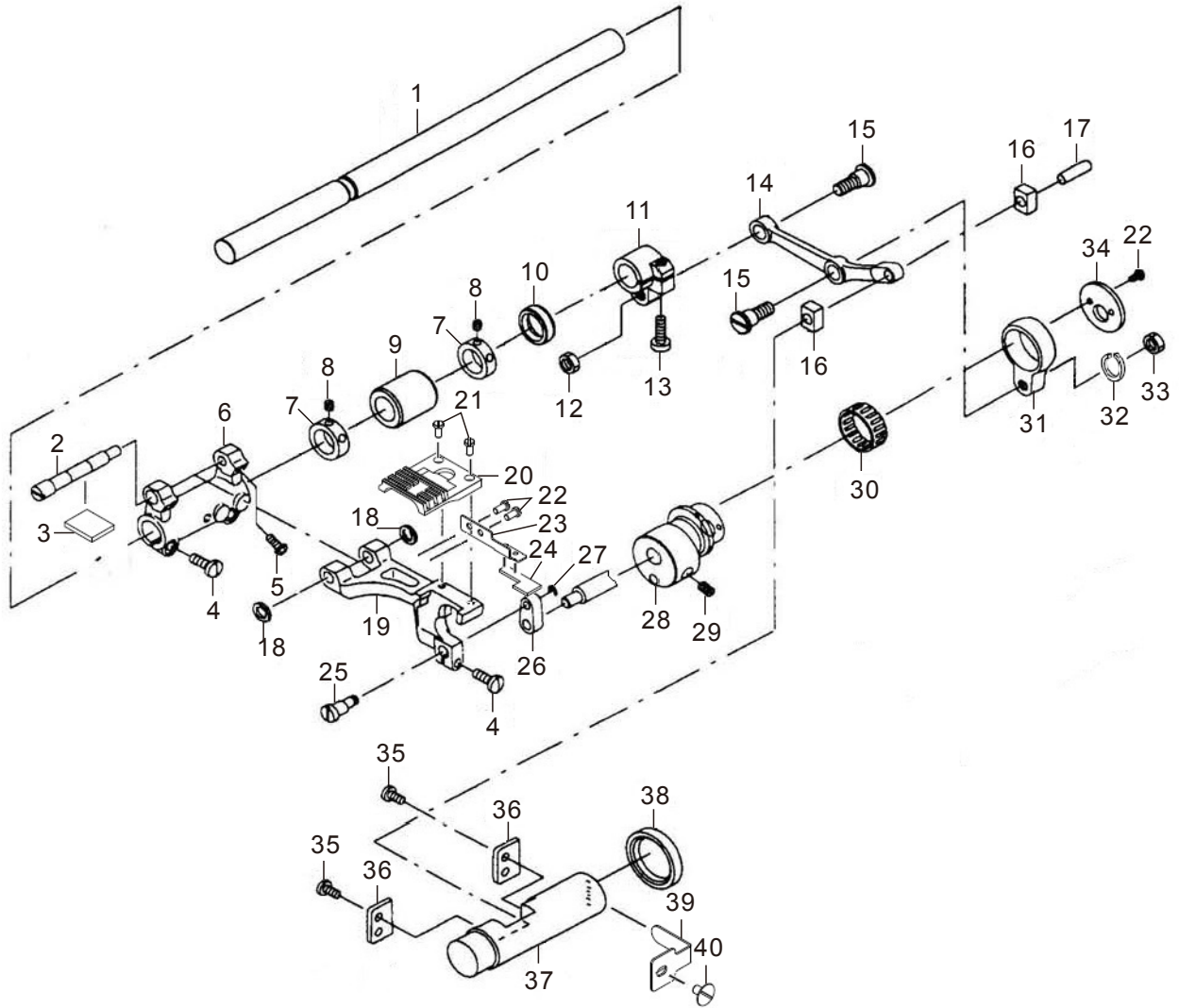


5. 抬压脚部件				
HAND LIFTER COMPONENTS				
序号 NO.	图号 Part No.	描述	Description	数量
1	10021342	螺钉组件	PRESSER SPRING REGULATOR ASM.	1
2	10013325	螺钉	PRESSER SPRING REGULATOR	1
3	10011023	螺母	NUT	1
4	10004439	调压导杆	PRESSER GUIDE BAR	1
5	10004505	弹簧	PRESSER SPRING REGULATOR	1
6	10027072	压杆衬套	BUSHING	1
7	10000244	压杆导架	PRESSER BAR GUIDE BRACKET	1
8	10013647	螺钉	SCREW	1
9	10026790	压杆	PRESSER BAR	1
10	10010018	螺钉	SCREW	1
11	10000726	活压脚部件	PRESSER FOOT ASM.	1
12	10000250	活压脚柄		1
13	10000252	护针架		1
14	10002410	压脚底板		1
15	10002389	螺钉	SCREW	1
16	10000251	止动螺钉弹簧		1
17	10000253	活压脚销		1
18	10009653	挡圈		2
19	10013085	销		1
20	10013090	轴套		1
21	10013033	拉头		1
22	10000099	螺钉		1
23	10013098	传动杆		1
24	10004611	螺钉		2
25	10002400	螺钉		2
26	10001101	自动抬压脚护盖		1
27	10009654	挡圈		1
28	10013097	传动轴		1
29	10013099	垫圈		1
30	10013087	油封		1
31	10013084	轴承套		1
32	10003079	螺母		1
33	10012936	连杆接头		1
34	10013092	螺母		2
35	10013096	垫圈		2
36	10022007	电磁铁		1
37	10010725	螺母		3
38	10011192	螺钉		2
39	10001100	拉板限位板		1
40	10000513	螺钉		1
41	10001098	自动抬压脚拉板		1
42	10013093	螺钉		1
43	10011064	压脚扳手	HAND LIFTER	1
44	10010016	螺钉	SCREW	1
45	10010027	O形圈	RUBBER RING	1
46	10002388	压脚扳手凸轮组件	HAND LIFTER CAM COMPL.	1
47	10000255	压脚扳手轴	HAND LIFTER SHAFT	1
48	10000256	压脚扳手凸轮	HAND LIFTER CAM	1
49	10001099	杠杆接头螺钉	CONNECTING ROD HINGE SCREW	1
50	10013038	挡圈	SNAP RING	1

51	10000238	螺钉	KNEE LIFTING LINK STEP-SCREW	1
52	10000239	抬压脚后杠杆复位簧	KNEE LIFTING LINK SPRING	1
53	10000599	抬压脚后杠杆销	HINGE SCREW	1
54	10000240	抬压脚后杠杆	KNEE LIFTING LINK SPRING	1
55	10000241	抬压脚顶杆接头	SWIVEL	1
56	10000242	螺母	NUT	1
57	10000243	顶杆	KNEE LIFTING JUNCTION ROD	1
58	10000598	抬压脚拉杆	KNEE LIFTING SIDE ROD LINK	1
59	10000248	螺钉	HINGE SCREW	1
60	10005983	螺钉	SCREW	1
61	10002828	螺钉	SCREW	1
62	10000246	螺钉	HINGE PIN	1
63	10000247	抬压脚前杠杆	LIFTING LEVER LINK	1
64	10007859	挡圈	SNAP RING	2
65	10002826	抬压脚升降板	LIFTING LEVER	1
66	10002827	螺钉	HINGE SCREW	1
67	10000245	螺钉	HINGE SCREW	1
68	20000400	自动抬压脚组件 (2290S)	AUTO HAND LIFTER COMPL. (FOR 2290S ONLY)	1

6.送料部件 I

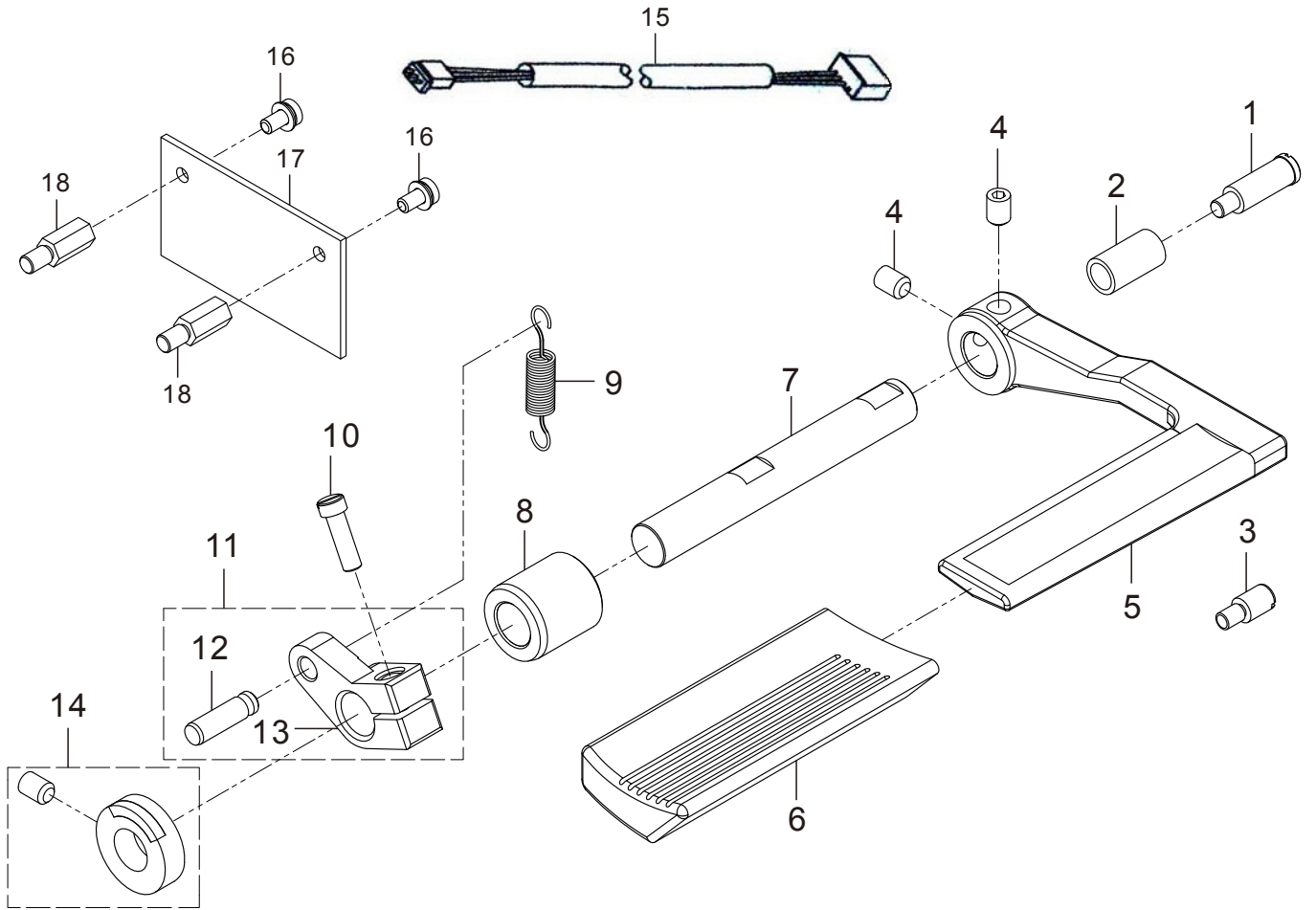
FEED MECHANISM COMPONENTS I



6. 送料部件 I				
FEED MECHANISM COMPONENTS I				
序号 NO.	图号 Part No.	描述	Description	数量
1	10000273	送料轴	HORIZONTAL FEED SHAFT	1
2	10000279	牙架销	FEED BASE SHAFT	1
3	10052661	毛毡		1
4	10000347	螺钉	SCREW	3
5	10001281	螺钉	SCREW	2
6	10000278	牙架座	FEED ROCKER	1
7	10000272	送料轴挡圈	THRUST COLLAR ASM.	2
8	10011518	螺钉	SCREW	4
9	10012494	轴套	FEED ROCKER SHAFT METAL	1
10	10012536	油封	OIL SEAL	1
11	10000377	送料曲柄	FEED ROCKER SHAFT CRANK ASM.	1
12	10004475	螺母	NUT	1
13	10000271	螺钉	SCREW	1
14	10000685	传动连杆曲柄	CONNECTING ROD	1
15	10000270	螺钉	SCREW	2
16	10003296	传动轴滑块	FEED DRIVING ROCKER BLOCK	2
17	10003295	传动连杆销	PIN	1
18	10010314	垫圈	SPACER	2
19	10000282	牙架	FEED BASE SHAFT	1
20	10008164	送料牙	FEED DOG	1
21	10000406	螺钉	SCREW	2
22	10000268	螺钉	SCREW	4
23	10031101	下轴毛毡固定板		1
24	10031100	下轴毛毡		1
25	10000281	抬牙销	LINK SHAFT	1
26	10000280	抬牙小连杆	LINK	1
27	10003248	挡圈	E-RING	1
28	10000277	送料偏心凸轮	HORIZONTAL FEED CAM	1
29	10005020	螺钉	SCREW	2
30	10000603	滚针轴承	BEARING	1
31	10000288	送料偏心凸轮套	ROD	1
32	10002986	送料偏心凸轮套	SPRING WASHER	1
33	10004475	螺母	NUT	1
34	10000602	送料偏心凸轮挡板	HORIZONTAL FEED CAM COVER	1
35	10000264	螺钉	SCREW	4
36	10000265	送料连接传动轴挡板	PLATE A	2
37	10000262	传动连接轴	FEED ADJUSTING	1
38	10007572	油封	OIL SEAL	1
39	10000601	限位板I	TRGULATE PLATE	1
40	10000266	螺钉	SCREW	1

7.送料部件 II

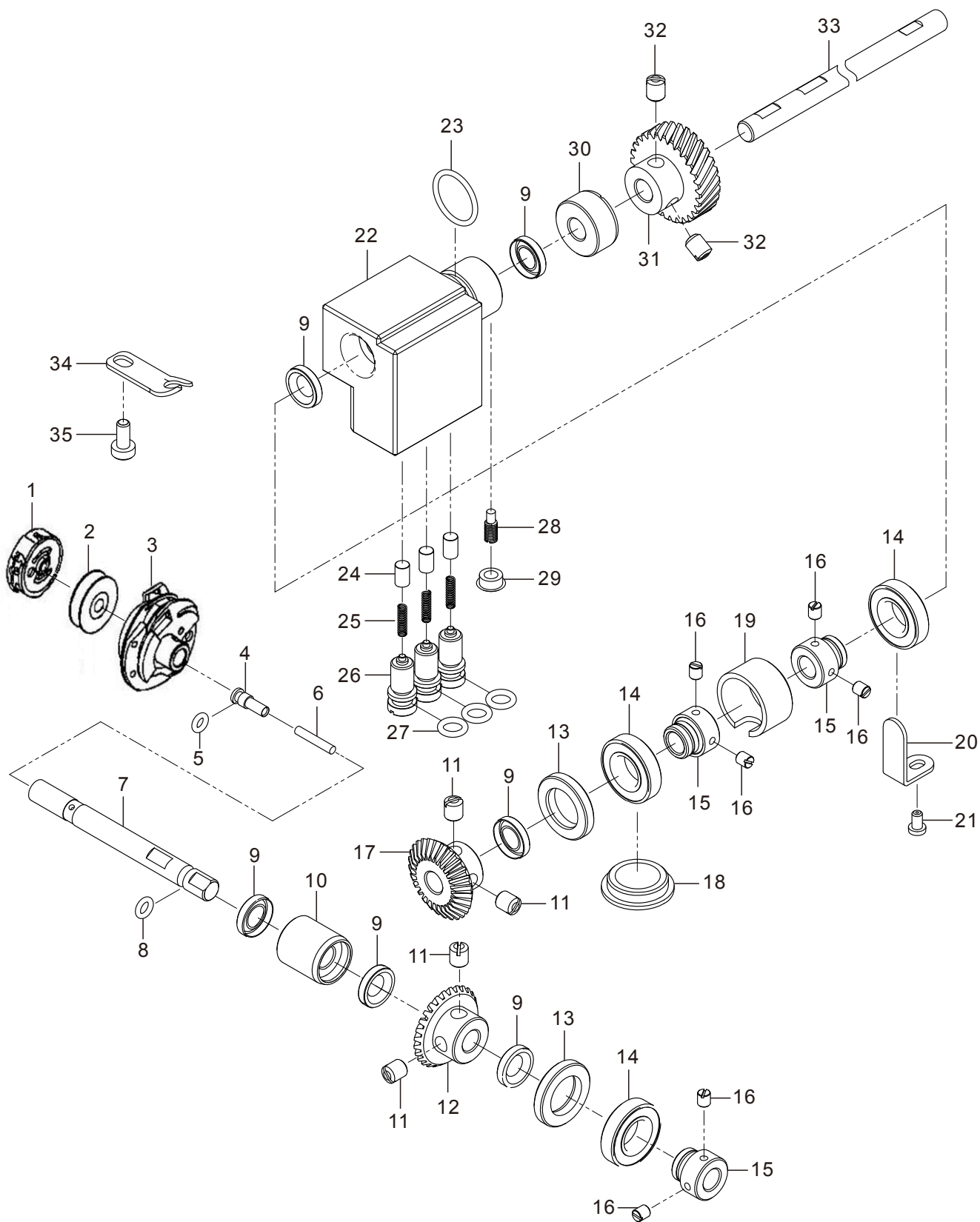
FEED MECHANISM COMPONENTS II



7. 送料部件 II				
FEED MECHANISM COMPONENTS II				
序号 NO.	图号 Part No.	描述	Description	数量
1	10050707	螺钉	SCREW	1
2	10050706	倒送料扳手挡圈		1
3	10000723	倒缝扳手下限位销	FEED DOWN LIMIT SHAFT	1
4	10009187	螺钉	SCREW	2
5	20003390	倒送料扳手☆	FEED WRENCH	1
6	10000615	倒缝扳手套☆		1
7	10000722	倒缝扳手轴	FEED SHAFT	1
8	10000294	倒缝扳手轴套	WRENCH METAL	1
9	10000687	复位簧	FEED SPRING	1
10	10000271	螺钉	SCREW	1
11	10039414	倒缝扳手曲柄组件	FEED LEVER ARM ASM.	1
12	10010287	销	PIN	1
13	10012638	倒送料曲柄	FEED CRANK	1
14	10026535	倒缝扳手传感器电磁铁组件	FEED WRENCH SENSOR ELECTROMAGNET	1
15	10050025	倒缝控制连接线缆		1
16	10027671	螺钉	SCREW	2
17	10050026	倒缝功能控制板		1
18	10030068	电路板连接螺母		2

8. 下轴部件 I

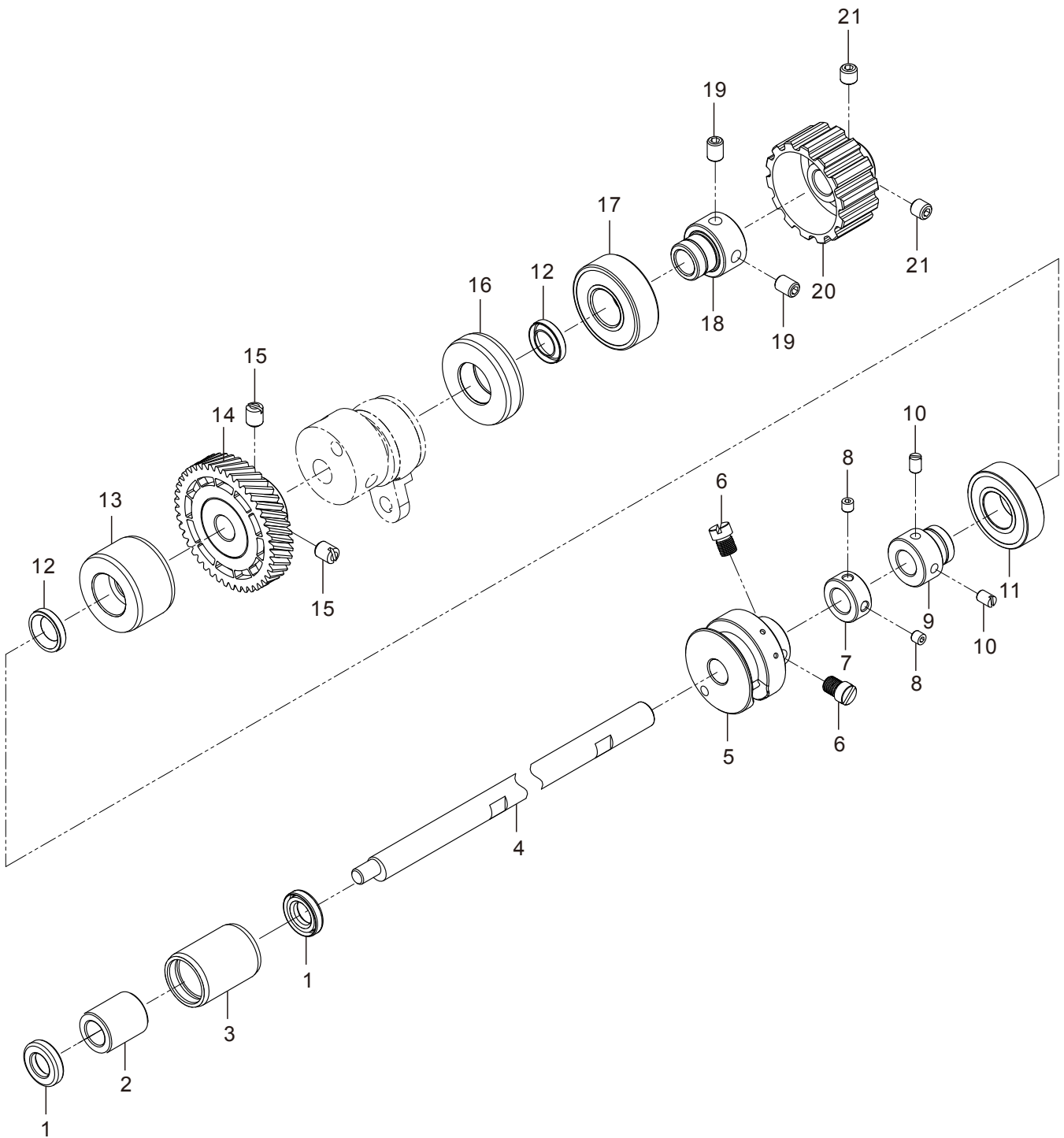
HOOK DRIVING SHAFT COMPONENTS I



8. 下轴部件 I				
HOOK DRIVING SHAFT COMPONENTS I				
序号 NO.	图号 Part No.	描述	Description	数量
1	10053420	梭壳	BOBBIN CASE ASM.	1
2	10010377	梭心	BOBBINS	1
3	10053419	旋梭	HOOK COMPL. V	1
4	10010064	螺钉	SCREW	1
5	10000457	旋梭限油螺钉O形圈	RUBBER RING	1
6	10051548	油芯	OIL WICK	1
7	10030187	旋梭轴II	HOOK SHAFT	1
8	10003437	旋梭轴O形圈	RUBBER RING	1
9	10035171	油封	HOOK SHAFT OIL SEAL	6
10	10000581	旋梭轴轴套	HOOK SHAFT FRONT METAL	1
11	10010065	螺钉	SCREW	4
12	10003937	齿轮	HOOK GEAR	1
13	10030188	旋梭油封套	HOOK SHAFT OIL SEAL METAL	2
14	10012777	轴承	HOOK SHAFT BEARING	3
15	10000458	旋梭轴轴承挡圈	BEARING SUPPOTR	3
16	10000459	螺钉	SCREW	6
17	10010029	齿轮	HOOK GEAR	1
18	10000616	旋梭驱动轴轴承油塞	RUBBER PLUG	1
19	10000617	驱动轴轴承限位套		1
20	10000466	限位板		1
21	10000097	螺钉	SCREW	1
22	10000583	油泵体组件	PUMP METAL	1
23	10000460	O形圈	RUBBER RING	1
24	10002399	柱塞	PLUNGER	3
25	10014386	柱塞簧	RUBBER SPRING	3
26	10000464	螺钉	SCREW	3
27	10014461	O形圈	RUBBER RING	3
28	10000463	螺钉	SCREW	1
29	10000091	左侧小油塞	PLUG	1
30	10000461	旋梭驱动轴后轴套	HOOK DRIVING SHAFT REAR METAL	1
31	10000462	旋梭驱动轴圆柱斜齿轮	HOOK DRIVING GEAR	1
32	10003921	螺钉	SCREW	2
33	10000582	旋梭驱动轴	HOOK DRIVING SHAFT	1
34	10000456	旋梭定位板	INNER HOOK STOPPER	1
35	10010066	旋梭定位板螺钉	SCREW	1

9. 下轴部件 II

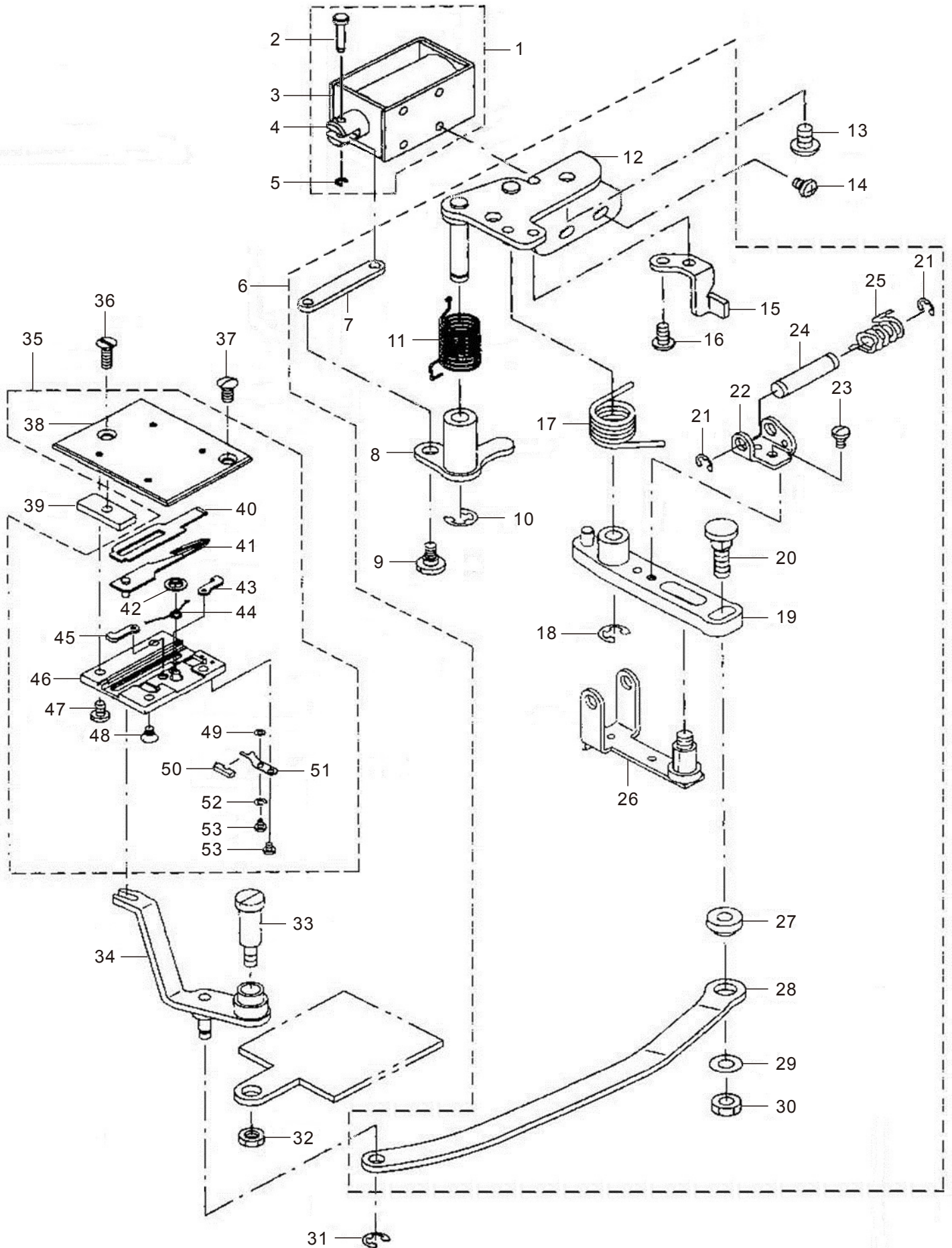
HOOK DRIVING SHAFT COMPONENTS II



9. 下轴部件 II				
HOOK DRIVING SHAFT COMPONENTS II				
序号 NO.	图号 Part No.	描述	Description	数量
1	10007409	油封	OIL SEAL	2
2	10003608	轴承	LOWER SHAFT FRONT BEARING	1
3	10000432	下轴前轴套	LOWER SHAFT FRONT BEARING BUSH	1
4	10000430	下轴	LOWER SHAFT	1
5	10000431	剪线凸轮	THREAD TRIMMER CAM	1
6	10000428	螺钉	SCREW	2
7	10000378	倒送料轴挡圈	THRUST COLLAR	1
8	10013590	螺钉	SCREW	2
9	10002397	下轴中轴承挡圈	LOWER SHAFT INNER BEARING COLLAR	1
10	10002434	螺钉	SCREW	2
11	10009778	轴承	LOWER SHAFT INNER BEARING	1
12	10035169	油封	OIL SEAL	1
13	10000425	下轴中轴套	LOWER SHAFT INNER METAL	1
14	10000427	下轴斜齿轮	HOOK DRIVING GEAR	1
15	10003921	螺钉	SCREW	2
16	10000426	下轴后轴套	LOWER SHAFT REAR BUSH	1
17	10003581	轴承	LOWER SHAFT REAR BEARING	1
18	10000429	下轴后轴承挡圈	LOWER SHAFT REAR BEARING COLLAR	1
19	10000314	螺钉	SCREW	2
20	10003438	下轴带轮	LOWER SHAFT SPROCKET	1
21	10011642	螺钉	SCREW	2

10.切刀部件

THREAD TRIMMER MECHANISM COMPONENTS

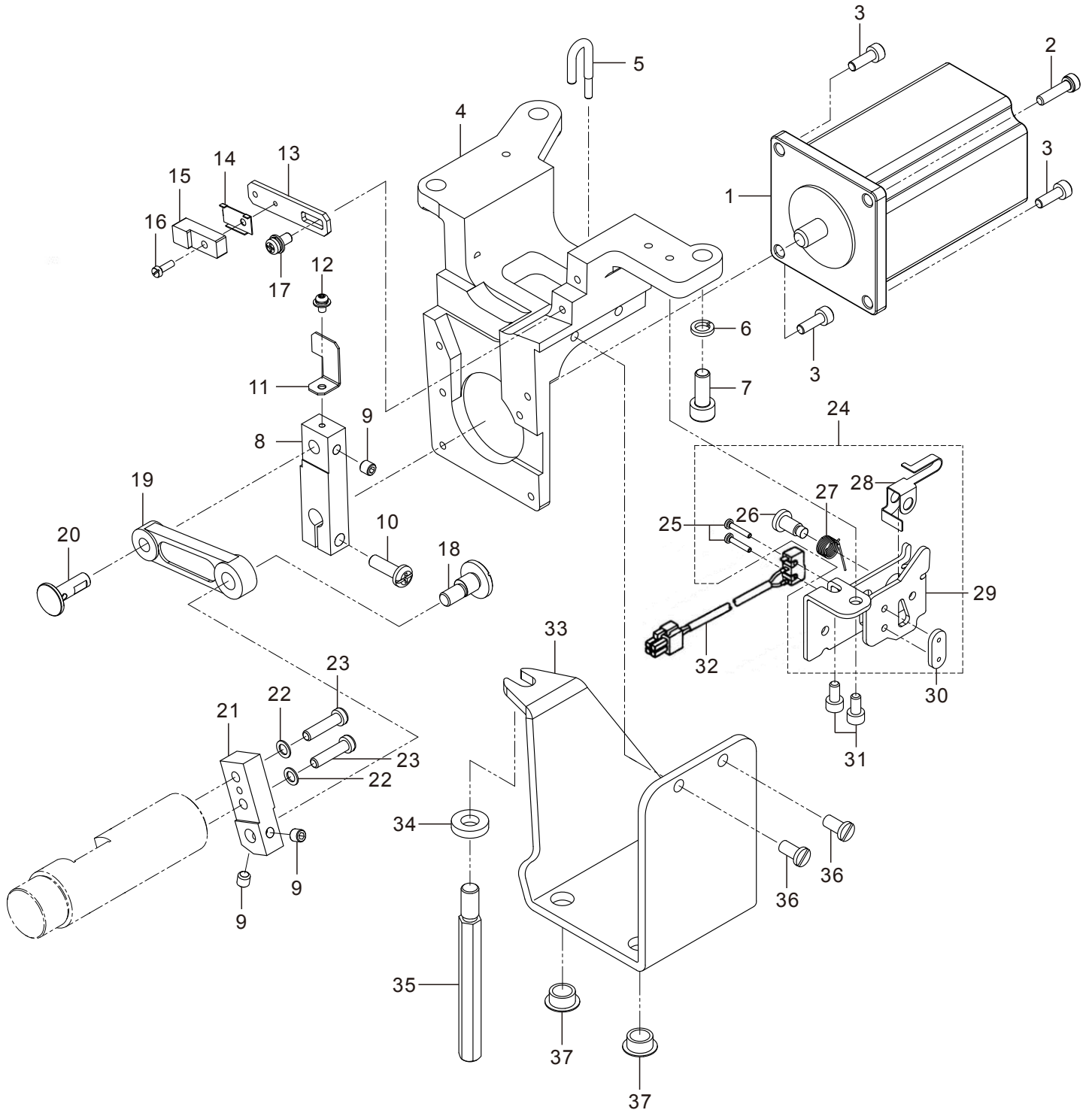


10. 切刀部件				
THREAD TRIMMER MECHANISM COMPONENTS				
序号 NO.	图号 Part No.	描述	Description	数量
1	10022374	切刀电磁铁组件	THREAD TRIMMER SOLENOID ASM	1
2	10000028	电磁铁销	CLUTH LINK PIN	1
3	10000030	切刀电磁铁	THREAD TRIMMER SOLENOID	1
4	10000029	切刀电磁铁铁芯		1
5	10003231	挡圈	E-RING	1
6	10000368	凸轮从动器组件		1
7	10000360	电磁铁连板	CLUTH LINK	1
8	10000367	驱动板组件	CLUTCH PLATE ASM	1
9	10000359	螺钉	HIGH SCREW	1
10	10005634	挡圈	E-RING	1
11	10000358	驱动板复位簧	CLUTCH RETURN SPRING	1
12	10000365	凸轮从动器架组件	BASE PLATE ASM	1
13	10000077	螺钉	SCREW	2
14	10003044	螺钉	SCREW	3
15	10000587	曲柄复位挡板	DRIVING ARM STOPPER	1
16	10009735	螺钉	SCREW	2
17	10000026	驱动曲柄复位簧	KNIFE RETURN SPARING	1
18	10005634	挡圈	E-RING	1
19	10005655	剪线驱动曲柄部件	KNIFE DRIVING ARM ASM	1
20	10000025	连接销	MOVING KNIFE LINK PIN	1
21	10012795	挡圈	E-RING	2
22	10005636	托板支架	ROLLER ARM SEAT	1
23	10010016	螺钉	SCREW	1
24	10005668	销	ROLLER FULCRUM SHAFT	1
25	10005676	弹簧	ROLLER RETURN SPRING	1
26	10005805	凸轮滚柱托板部件	ROLLER ARM ASM	1
27	10000024	连接销套	MOVING KNIFE LINK BASE	1
28	10000586	驱动连板	MOVING KNIFE LINK	1
29	10005637	垫圈	WASHER	1
30	10005808	螺母	NUT	1
31	10013038	挡圈	E-RING	1
32	10010725	螺母	NUT	1
33	10000031	螺钉	SCREW	1
34	10000023	切刀驱动架组件	FORK KNIFE ASM	1
35	10052387	切刀组件	KNIFE UNIT	1
36	10000035	螺钉	SCREW	1
37	10000033	螺钉	SCREW	1
38	10000038	切刀板	SLIDING PLATE	1
39	10000034	夹紧板	FIXED PLATE	1
40	10052384	上切刀组件	FIXED KNIFE ASM	1
41	10000027	下切刀组件	DRIVING KNIFE ASM	1
42	10000442	弹簧盖帽	LOCATING SPRING WASHER	1
43	10000440	前刀钩	KNIFE STOPPER, RIGHT	1
44	10000441	刀钩弹簧	SPRING	1
45	10000443	后刀钩	KNIFE STOPPER, LEFT	1
46	10000037	切刀架	KNIFE BASE	1
47	10000032	螺钉	SCREW	2
48	10000438	螺钉	SCREW	2
49	10000036	垫片	WASHER	1
50	10002398	毛毡	FELT	1
51	10000444	切刀弹簧片	CLAMP PLATE	1
52	10003070	垫圈	SPRING WASHER	1

53	10000445	螺钉	SCREW	2
----	----------	----	-------	---

11.自动倒送料部件

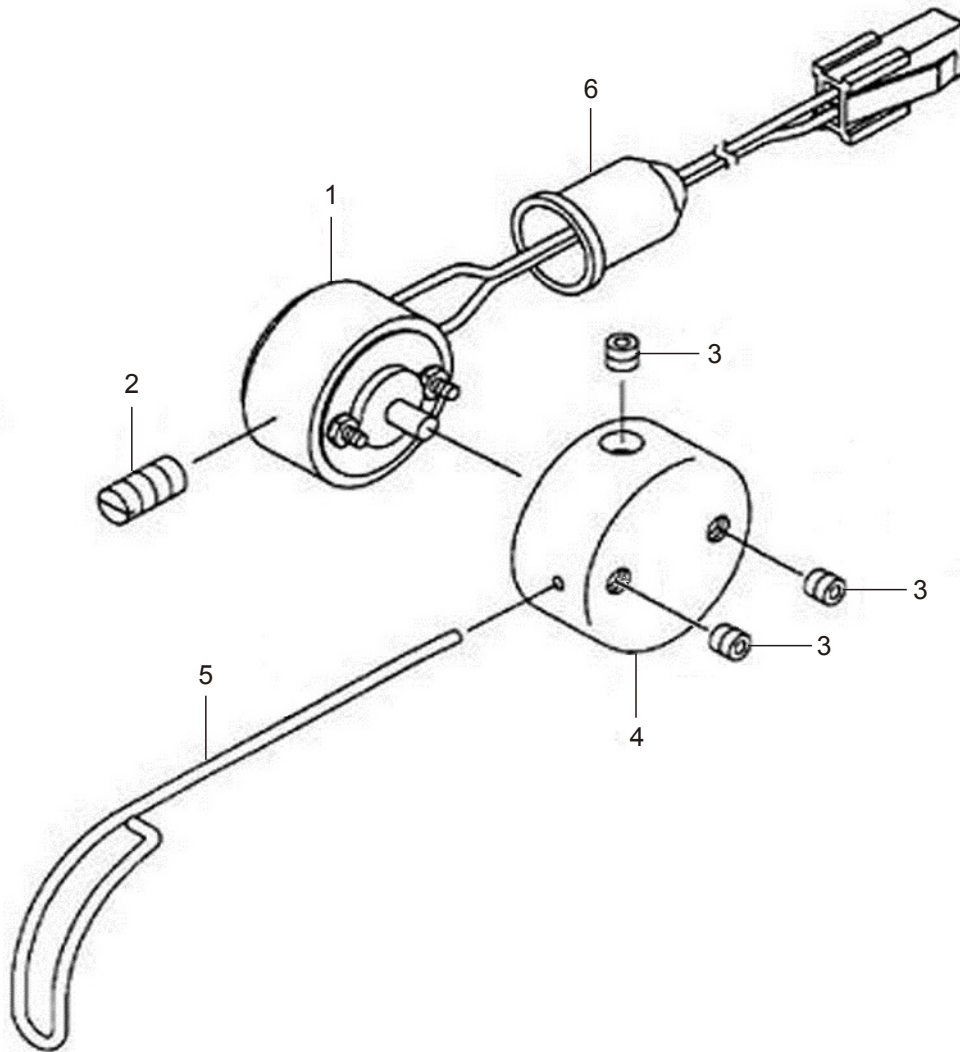
AUTOMATIC REVERSE FEED MECHANISM COMPONENTS



11. 自动倒送料部件				
AUTOMATIC REVERSE FEED MECHANISM COMPONENTS				
序号 NO.	图号 Part No.	描述	Description	数量
1	10034167	步进电机	PULSE MOTOR	1
2	10000698	螺钉	SCREW	1
3	10000863	螺钉	SCREW	3
4	10000691	送料电机安装座机加工	SEAT OF FEED MOTOR	1
5	10000697	倒缝扳手复位弹簧勾	SPRING	1
6	10003077	垫圈	SPRING WASHER	3
7	10010045	螺钉	SCREW	3
8	10000655	送料电机连杆	FEED MOTOR LINK	1
9	10012162	螺钉	SCREW	3
10	10000654	螺钉	SCREW	1
11	10000696	传感器感应片	SENSE ORGAN INDUCTIVE PIECE	1
12	10002411	螺钉组件	SCREW	1
13	10000695	传感器安装板	SENSE ORGAN FIXING BOARD	1
14	10000346	感应器固定板		1
15	10000977	步进电机感应器	PULSE MOTOR INDUCTOR	1
16	10003060	螺钉	SCREW	1
17	10000707	螺钉组件	SCREW	1
18	10000693	传动连杆销	PIN	1
19	10000765	送料连杆组件	FEED LINK ASM	1
20	10000640	摆动架连杆销	PIN	1
21	10000694	传动轴连杆	LINK	1
22	10000417	垫片	WASHER	2
23	10000701	螺钉	SCREW	2
24	10021598	安全开关组件	SAFETY SWITCH ASM.	1
25	10003045	螺钉	SCREW	2
26	10012612	保险开关支架轴	SAFETY SWITCH ARM SHAFT	1
27	10005855	弹簧	SAFETY SWITCH SPRING	1
28	10000124	开关驱动杆	SAFETY SWITCH ARM	1
29	10000147	开关架	SAFETY SWITCH BASE	1
30	10005877	螺母	NUT	1
31	10005350	螺钉	SCREW	2
32	10034403	安全开关线X34	SAFETY SWITCH CORD ASM.	1
33	10039296	电机护罩支脚		1
34	10013678	垫圈		1
35	10000763	螺钉	SCREW	1
36	10012485	螺钉	SCREW	2
37	10011136	橡胶塞	PLUG	2

12.挑线部件

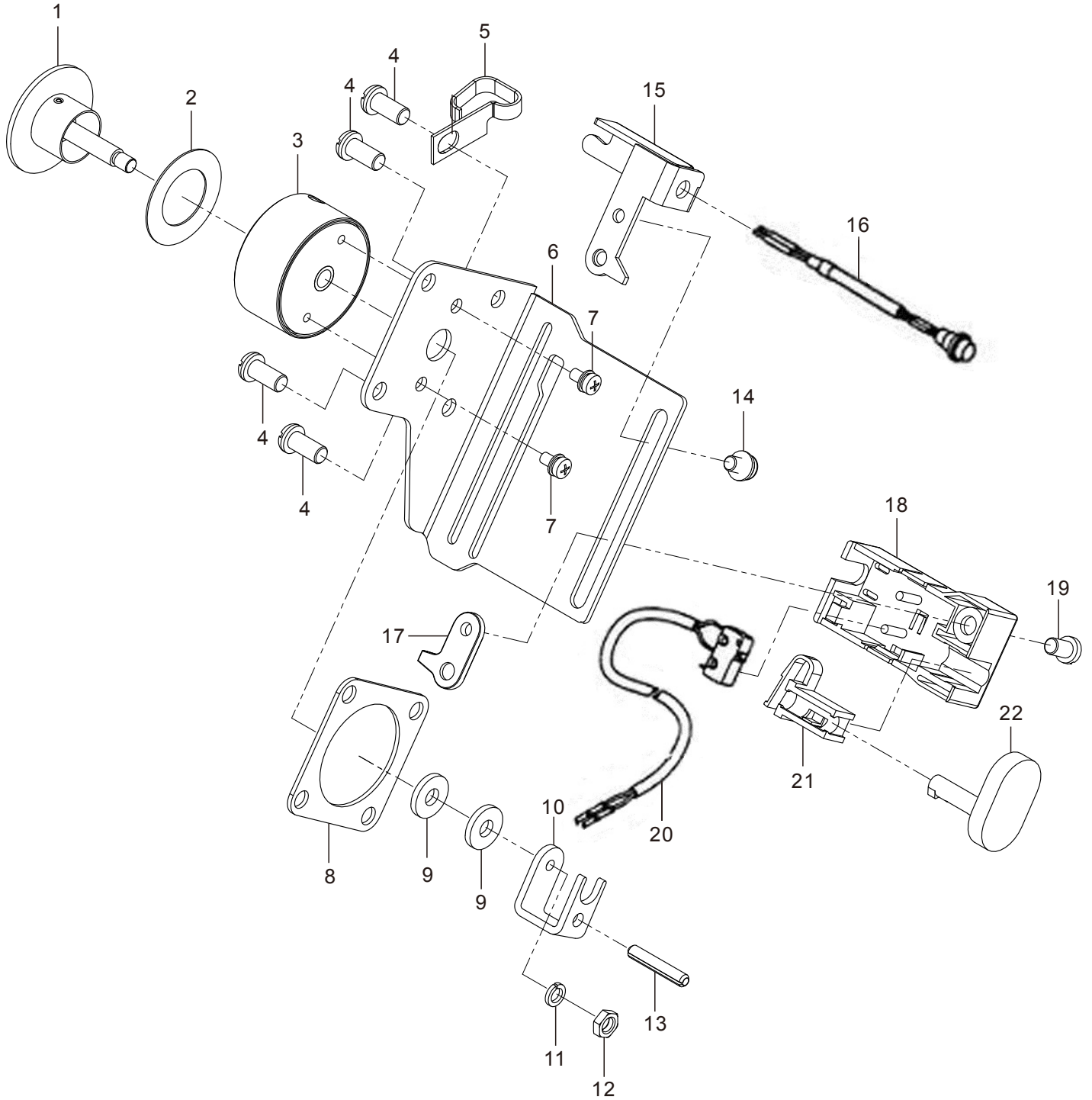
THREAD FEEDER COMPONENTS



12. 挑线部件				
THREAD FEEDER COMPONENTS				
序号 NO.	图号 Part No.	描述	Description	数量
1	10000496	挑线电磁铁	FEEDER SOLENOID ASM	1
2	10000320	螺钉	SCREW	1
3	10013590	螺钉	SCREW	3
4	10000494	挑线电磁铁罩	FEEDER WIRE FITTING BASE	1
5	10000495	挑线杆	FEEDER WIRE	1
6	10004599	扫线拉板橡胶罩		1

13. 松线部件

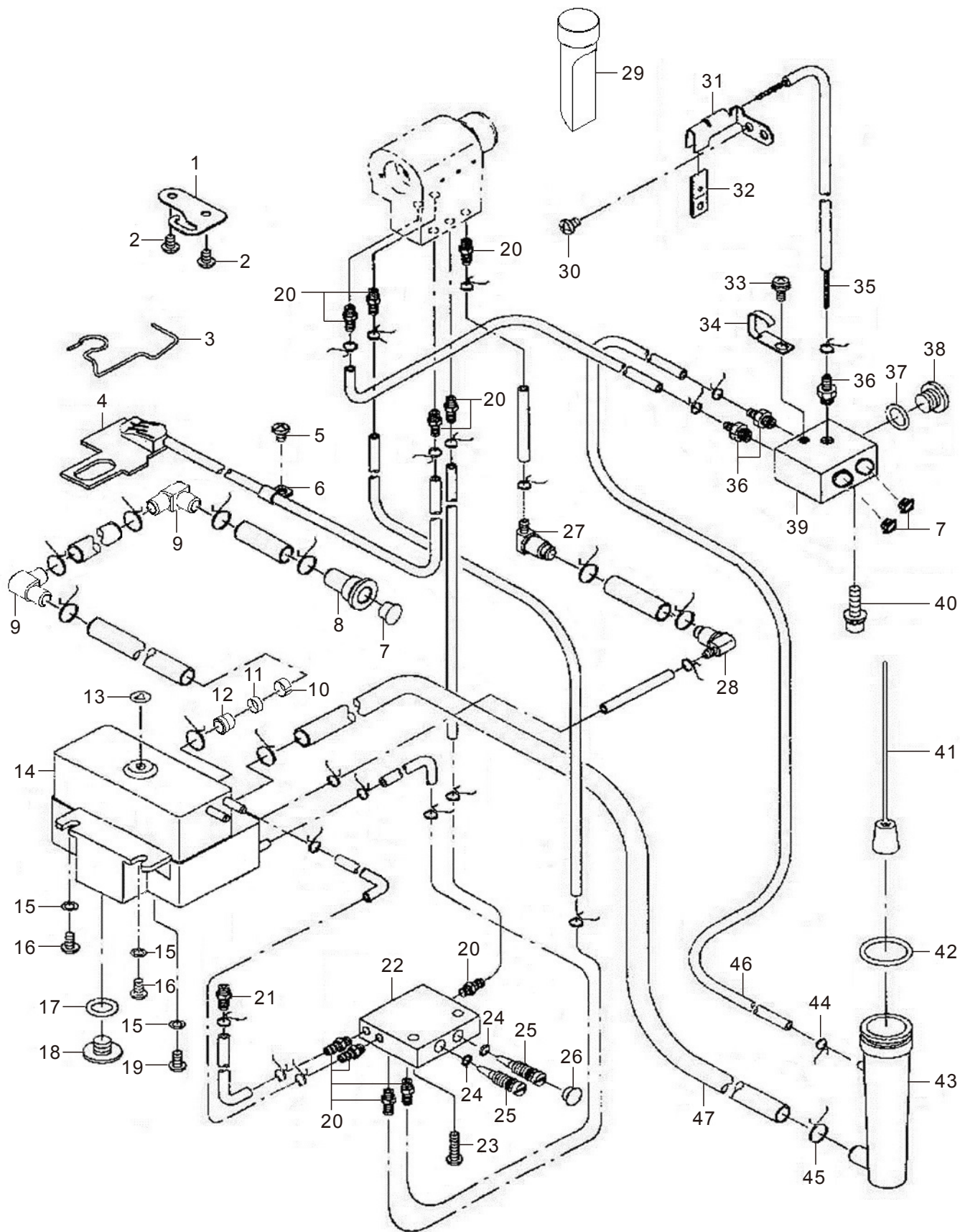
THREAD RELEASE SOLENOID COMPONENTS



13. 松线部件				
THREAD RELEASE SOLENOID COMPONENTS				
序号 NO.	图号 Part No.	描述	Description	数量
1	10000526	松线电磁铁芯组件		1
2	10000503	垫片	CUSHION	1
3	10000504	松线电磁铁主体		1
4	10001281	螺钉	SCREW	4
5	10000092	小线夹	UPPER SHAFT FRONT METAL OIL WIRE HOLDER	1
6	10000502	松线电磁铁固定板	MANUAL SWITCH BASE	1
7	10051646	螺钉组件	SCREW	2
8	10000093	松线橡胶垫	CUSHION	1
9	10000497	垫片	FRAME SIDE COVER GASKET	2
10	10000498	松线板	THREAD RELEASE PUSH PLATE	1
11	10008144	垫圈	SPRING WASHER	1
12	10005297	螺母	NUT	1
13	10009324	销	SPRING PIN	1
14	10002400	螺钉	SCREW	1
15	10001271	指示灯固定架	MANUAL SWITCH BASE GUIDE	1
16	10034416	镜像灯开关转接线缆		1
17	10000501	点动开关盒安装板		1
18	10000510	点动开关盒	REVERSE FEED SWITCH COVER	1
19	10009906	螺钉	SCREW	1
20	10002569	点动开关线		1
21	10000511	开关弹簧	REVERSE FEED SWITCH SUPPORT	1
22	10000597	按钮	REVERSE FEED SWITCH SHAFT	1

14.油路部件

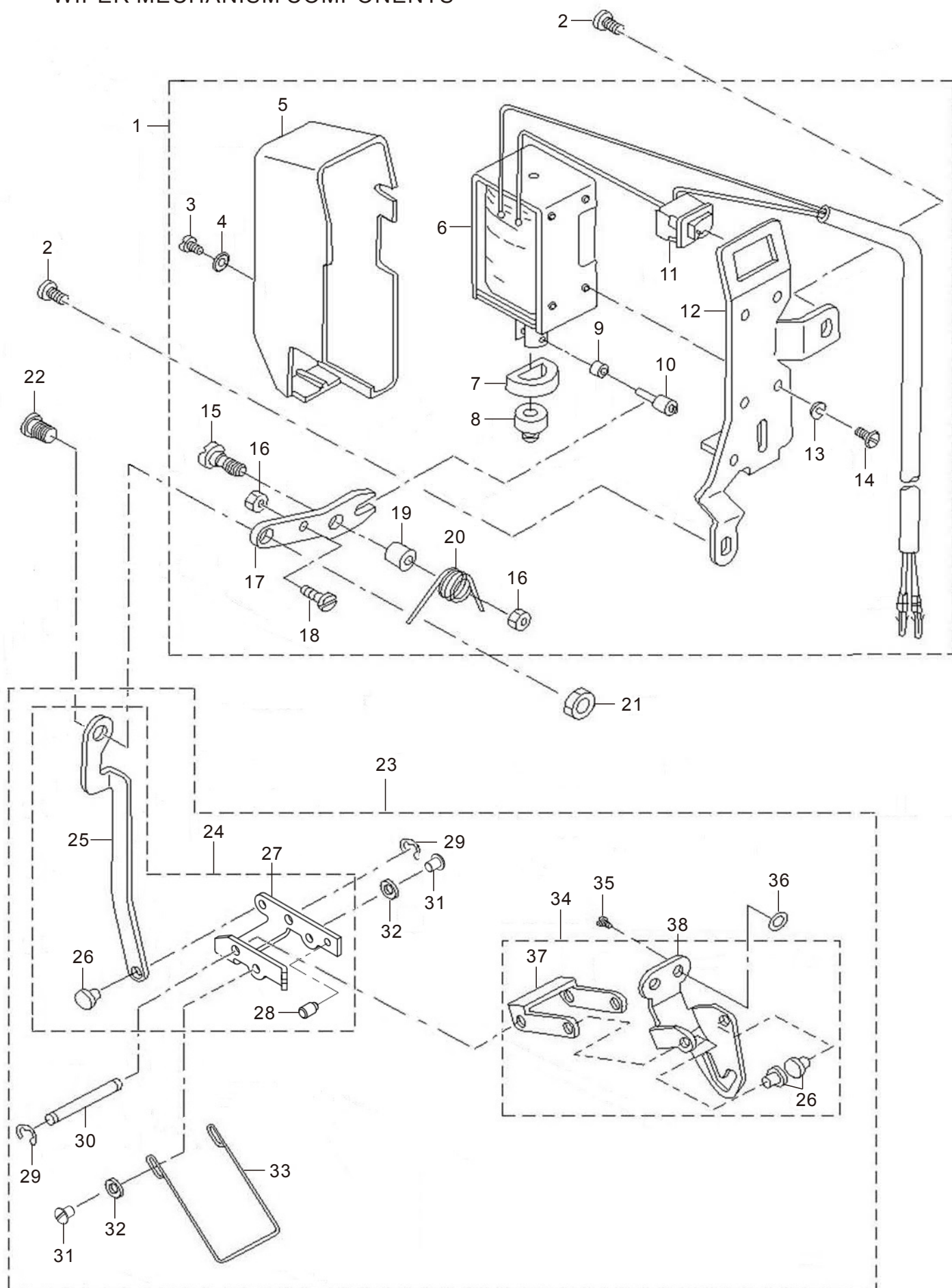
LUBRICATION COMPONENTS



14. 油路部件				
LUBRICATION COMPONENTS				
序号 NO.	图号 Part No.	描述	Description	数量
1	10000630	油管定位板	LUBRICATION TANK PIPE GUIDE	1
2	10000098	螺钉	SCREW	2
3	10000420	毛毡压杆	ONCE THROUGH OIL FELT PRESSER	1
4	10000571	回油管油毡	ONCE THROUGH OIL FELT	1
5	10008778	螺钉	SCREW	1
6	10004476	回油管夹	HOLDER	1
7	10000405	总进油管油塞	RUBBER PLUG	3
8	10008780	加油杯	OIL INLE	1
9	10000708	大油管二接头	DISTRIBUTOR	2
10	10024761	油管夹		1
11	10022615	过滤网		1
12	10024762	滤油嘴		1
13	10011135	垫圈	STOPPER	1
14	10000570	油盒	OIL TANK ASM.	1
15	10000417	垫片	WASHER	3
16	10000099	螺钉	SCREW	2
17	10010240	O形圈	RUBBER RING	1
18	10008783	螺钉	SCREW	1
19	10009900	螺钉	SCREW	1
20	10008779	油管接头	LUBRICATION CONNECTOR	10
21	10037790	油管接头	LUBRICATION CONNECTOR	1
22	10002401	油量调节阀	HOOK OIL REGULATING	1
23	10000347	螺钉	SCREW	2
24	10000567	油量调节阀O形圈	RUBBER RING	2
25	10000566	油量调节杆	HOOK OIL REGULATING SCREW	2
26	10000091	左侧小油塞	RUBBER PLUG	1
27	10000468	油管二接头	DISTRIBUTOR	1
28	10000471	油管二接头	DISTRIBUTOR ASM.	1
29	10039621	齿轮箱油标	GEARBOX FLOATER	1
30	10008778	螺钉	SCREW	1
31	10000419	机头润滑油管油毡安装板	FACE LUBRICATION PRESSER	1
32	10000418	机头润滑油管油毡	BALANCE LUBRICATING	1
33	10000422	螺钉	SCREW	1
34	10000082	前支脚油线夹	LUBRICATING OIL WICK STOPPER	1
35	10008068	机头润滑油线	OIL WICK	1
36	10000631	中转箱油管接头	LUBRICATION CONNECTOR	3
37	10000079	齿轮箱密封O形圈	RUBBER RING	1
38	10000423	螺钉	SCREW	1
39	10000421	机头供油中转箱	OIL BOX	1
40	10000157	螺钉	SCREW	2
41	10000569	油标	FLOATER ASM.	1
42	10008777	油杯O形圈	RUBBER RING	1
43	10000709	油杯	FLOATER CASE	1
44	10008781	小油管紧固簧	PIPE STOPPER A	20
45	10008785	大油管紧固簧	PIPE STOPPER B	10
46	10007800	油管	TUBE A	2740
47	10007806	油管	TUBE B	822

15. 拨线部件

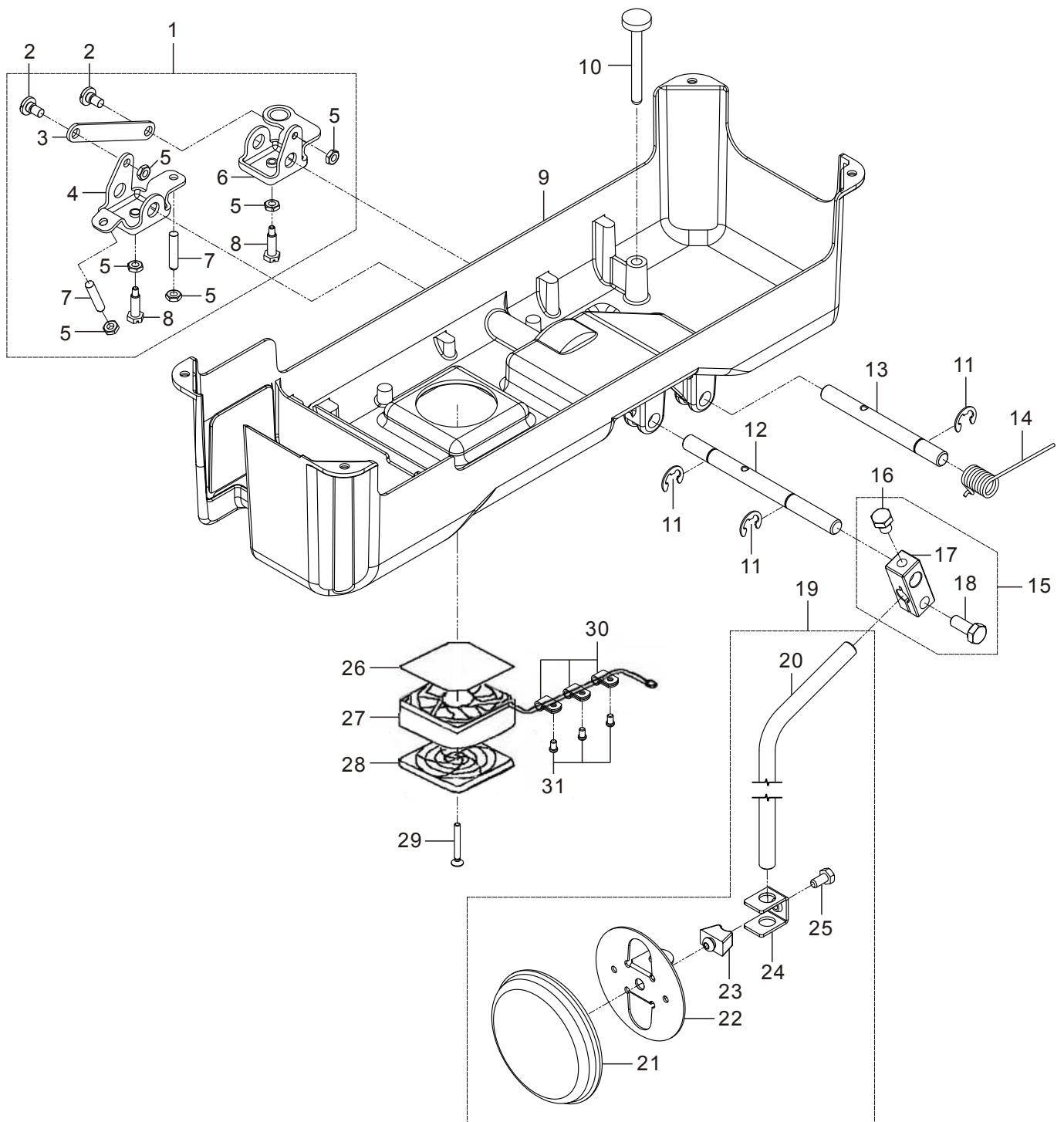
WIPER MECHANISM COMPONENTS



15. 拨线部件				
WIPER MECHANISM COMPONENTS				
序号 NO.	图号 Part No.	描述	Description	数量
1	10000049	拨线电磁铁组件	WIPER SOLENOID ASM	1
2	10000098	拨线电磁铁架螺钉	SCREW	2
3	10003036	螺钉	SCREW	1
4	10002998	垫圈	WASHER	1
5	10005724	拨线器罩	WIPER COVER	1
6	10005736	拨线电磁铁	WIPER SOLENOID	1
7	10005739	铁芯橡皮垫	WIPER RUBBER B	1
8	10012488	铁芯复位垫	WIPER RUBBER A	1
9	10005769	传动销滚柱	WIPER LINK COLLAR	1
10	10005719	销	WIPER SOLENOID PIN	1
11	10000046	拨线器开关	POWER SWITCH	1
12	10000044	拨线电磁铁固定架	WIPER BASE	1
13	10003082	垫圈	SPRING WASHER	4
14	10003036	螺钉	SCREW	4
15	10000048	螺钉	HINGE SCREW	1
16	10005735	螺母	NUT	2
17	10000047	拨线传动板	WIPER LINK	1
18	10008458	弹簧复位螺钉	SCREW	1
19	10005769	轴位螺钉定位套	WIPER HINGE SCREW COLLAR	1
20	10005770	传动板复位簧	WIPER SPRING	1
21	10000100	螺母	NUT	1
22	10000042	螺钉	HINGE SCREW	1
23	10000054	拨线器组件	WIPER ASM	1
24	10000530	驱动板组件	WIPER LINK COMPL	1
25	10000634	驱动板	WIPPER LINK	1
26	10000045	驱动板连接销	PIN	3
27	10000529	拨线架	WIPER LINK ASM. 2	1
28	10000635	导向销	GUIDE PIN	1
29	10003248	挡圈	E-RING	2
30	10000050	拨线杆架连接销	WIPER LINK SHAFT	1
31	10000052	拨线杆螺钉	SCREW	2
32	10000051	拨线杆垫片	WASHER	2
33	10000053	拨线杆	WIPER	1
34	10000533	拨线器架组件	WIPER BASE ASM	1
35	10000099	螺钉	SCREW	2
36	10000043	垫片	WASHER	2
37	10000531	拨线小连板	WIPER LINK 1	1
38	10000532	拨线器固定架	WIPER BASE	1

16.油盘部件

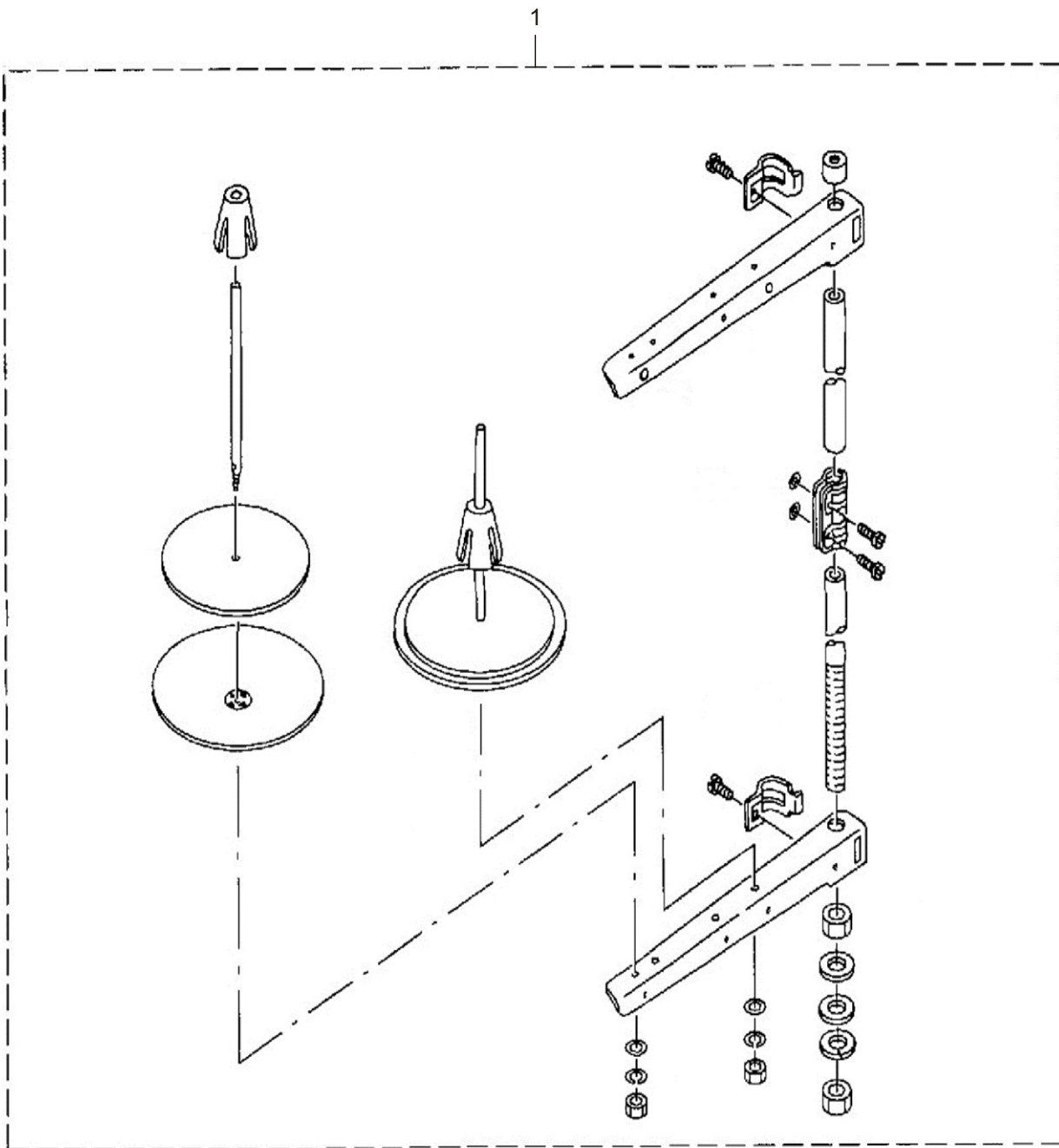
UNDER COVER COMPONENTS



16. 油盘部件				
UNDER COVER COMPONENTS				
序号 NO.	图号 Part No.	描述	Description	数量
1	10024632	膝控限位架组件		1
2	10008465	螺钉	SCREW	2
3	10008464	连接板		1
4	10008463	膝控限位架 I	BRACKET I	1
5	10003890	螺母	NUT	6
6	10008383	膝控限位架 II	BRACKET II	1
7	10003895	螺钉	SCREW	2
8	10003898	螺钉	SCREW	2
9	10000011	油盘	UNDER COVER ASM	1
10	10012631	抬压脚顶杆	KNEE LIFTER PRESSER ROD	1
11	10002559	挡圈	E-RING	3
12	10008450	抬压脚轴 I	KNEE PRESS ROD I	1
13	10008466	抬压脚轴 II	KNEE PRESS ROD II	1
14	10012677	弹簧	SPRING	1
15	10002562	抬压脚操纵杆接头组件		1
16	10002610	螺栓	SCREW	1
17	10003896	抬压脚操纵接头	BRACKET	1
18	10002613	螺栓	SCREW	1
19	10009985	操纵杆部件	KNEE PAD PLATE ASM	1
20	10003901	操纵杆	KNEE PAD UPRIGHT SHAFT	1
21	10004223	操纵杆软垫	KNEE PAD PLATE COVER	1
22	10003891	操纵板	KNEE PAD PLATE ASM	1
23	10003900	操纵杆垫	KNEE PAD PLATE RUBBER	1
24	10003897	操纵杆接头	KNEE PAD PLATE SUPPORT	1
25	10003894	螺钉	SCREW	1
26	10034415	金属防护罩		1
27	10034413	油盘风扇	FAN ASM	1
28	10034414	塑料防尘罩		1
29	10003416	防尘罩螺钉	SCREW	4
30	10008228	SN-3A夹头	COLLET	3
31	10005309	螺钉	SCREW	3

17.线架部件

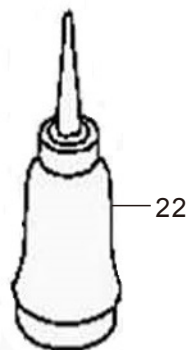
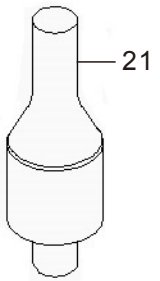
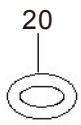
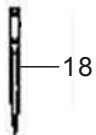
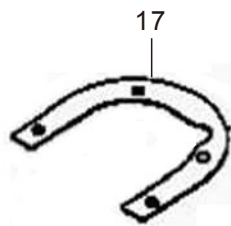
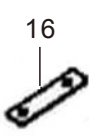
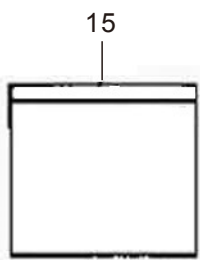
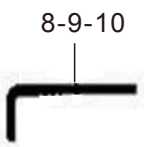
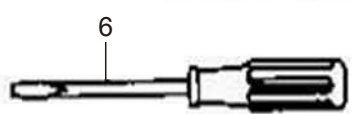
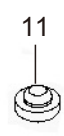
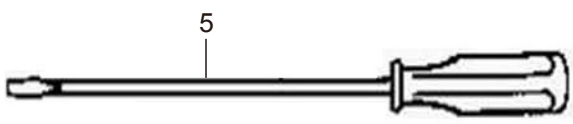
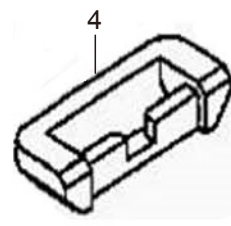
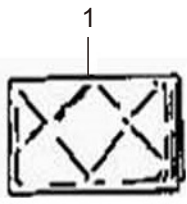
THREAD STAND COMPONENTS



17. 线架部件				
THREAD STAND COMPONENTS				
序号 NO.	图号 Part No.	描述	Description	数量
1	10007130	二线线架部件☆	THREAD STAND ASM	1

18.附件

ACCESSORIES PART COMPONENTS



18. 附件				
ACCESSORIES PART COMPONENTS				
序号 NO.	图号 Part No.	描述	Description	数量
1	10004971	机头薄膜袋	VINYL COVER	1
2	10010377	梭心	BOBBINS	3
3	10004466	机头连接钩部件	HINGE COMPL	2
4	10006286	机头连接钩座	RUBBER CUSHION	2
5	10010994	大螺丝刀	SCREW DRIVER, LARGE	1
6	10010995	中螺丝刀	SCREW DRIVER, MIDDLE	1
7	10013185	小螺丝刀	SCREW DRIVER, SMALL	1
8	10009683	内六角扳手	WRENCH	1
9	10009686	内六角扳手	WRENCH	1
10	10009685	内六角扳手	HEXAGONAL WRENCH KEY	1
11	10013102	机头座垫		4
12	10013113	油盘支座	FRAME BUBBER CUSHION	2
13	10003889	油盘座钉	NAIL	8
14	10013101	油盘座垫	WASHER	2
15	10001177	机头罩	ACCESSORIE BAG	1
16	10001242	垫板	SPACER	1
17	10002512	推板垫圈	SPACER	1
18	10003366	机针☆	NEEDLE	4
19	10008171	切刀弹簧片B	CLAMP PLATE	1
20	10008773	橡胶轮	RING	1
21	10011749	机头支承杆		1
22	20002272	油壶组件	DEFRIX OIL NO. 1	1

附件一

各品牌专用件列表

序号	物料描述	中捷	胜家	日星
1	挑线盘防护罩组件☆	10000190	10023990	10050227
2	挑线盘防护盖☆	20003377	20007128	20017293
3	步进电机罩☆	20011450	20007126	20017257
4	夹线器组件☆	10000657	10024387	10050223
5	螺母☆	10012981	10024368	10040449
6	中过线器组件☆	10000131	10024388	10050224
7	螺母☆	10004503	10024350	10014367
8	后罩☆	20017415	10023983	10050221
9	绕线器☆	10031086	10038924	10050228
10	绕线夹线器组件☆	10013064	10024389	10050689
11	塑料夹线螺母☆	10004390	10024350	10040448
12	上轮☆	20004078	20007127	20017256
13	机针☆	10003366	10027672	10003366
14	顺缝针距旋钮☆	10000305	10023986	10050238
15	倒缝针距旋钮☆	10000302	10023985	10050237
16	倒缝扳手套☆	10000615	10024307	10050239
17	倒缝扳手☆	20003390	20007232	20017254
18	二线线架部件☆	10007130	10024216	20000125