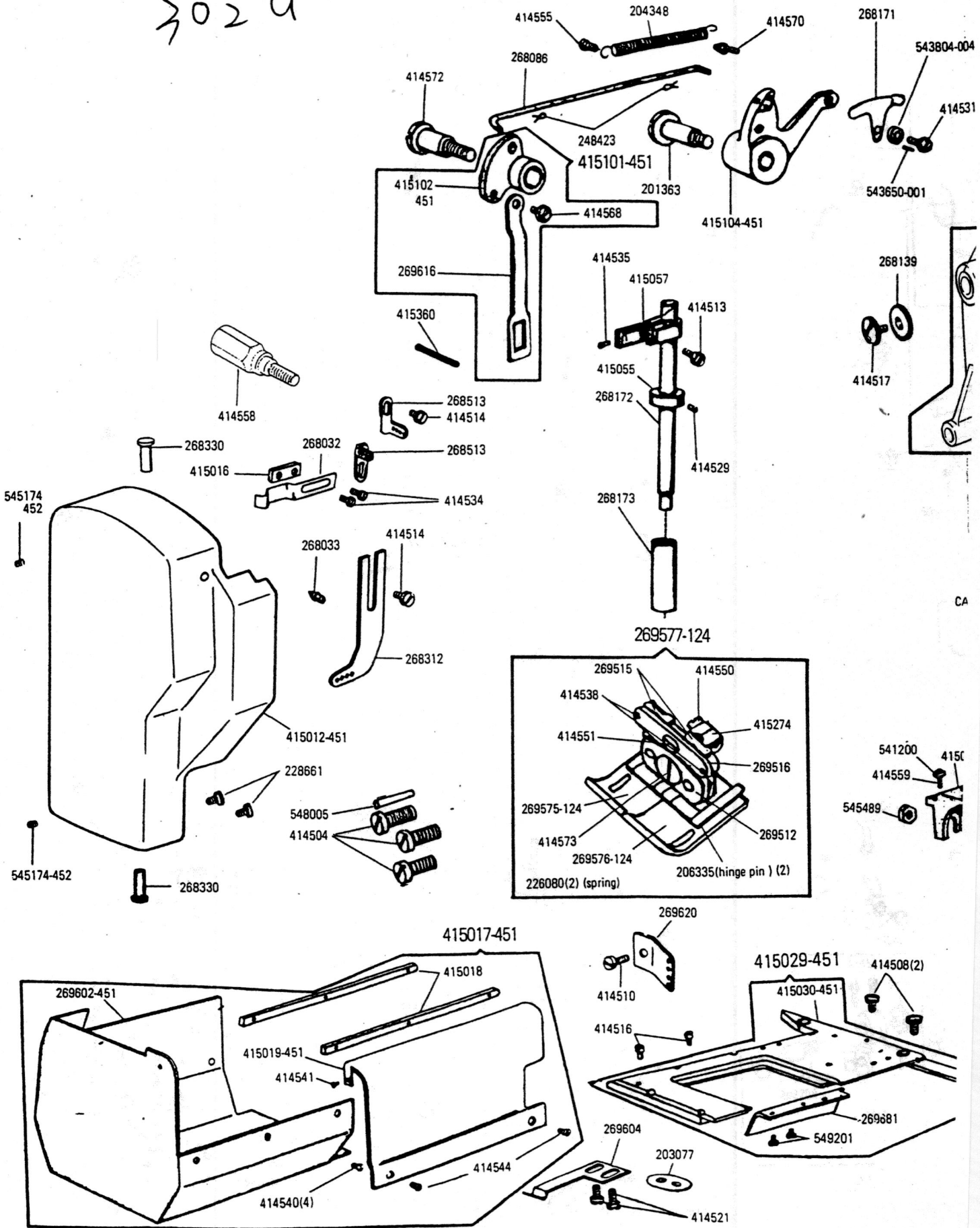
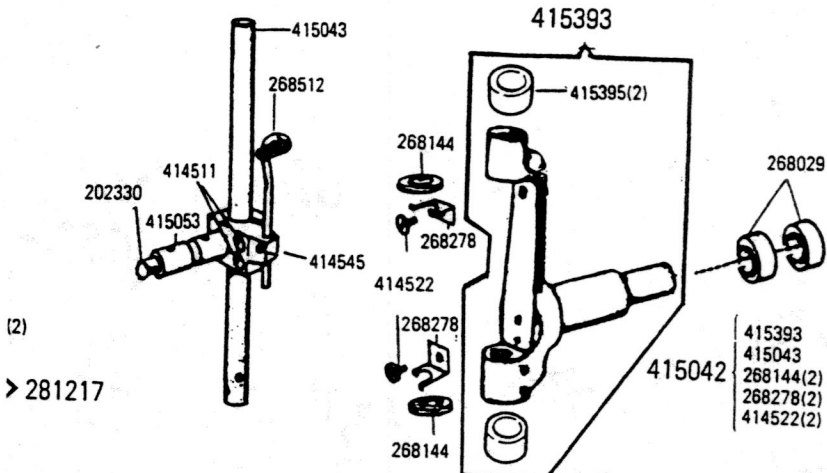
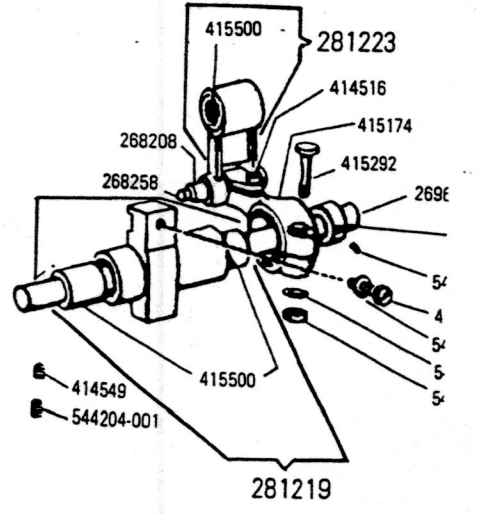
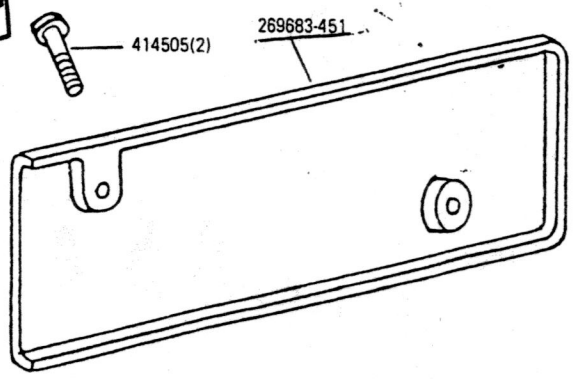
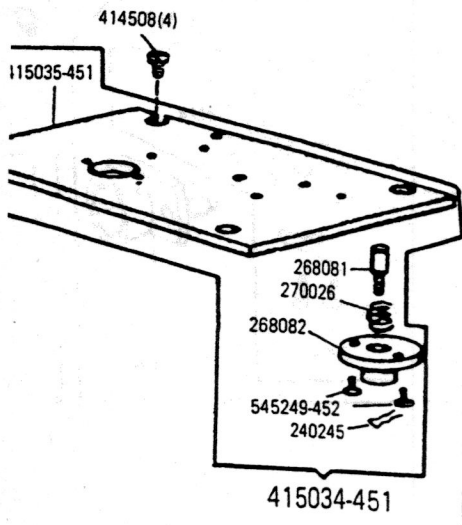
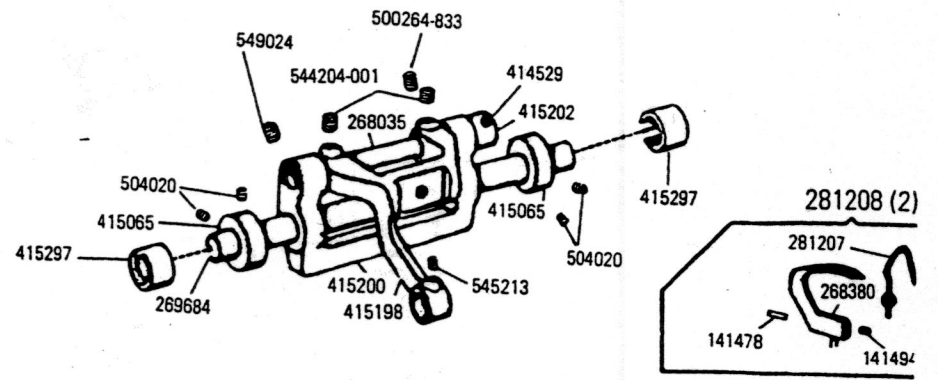
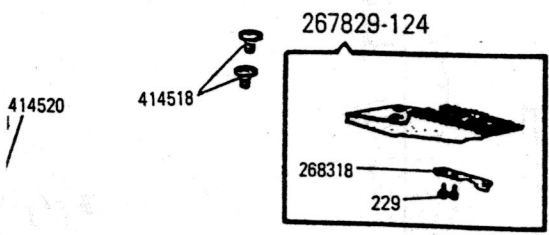
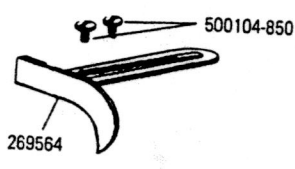
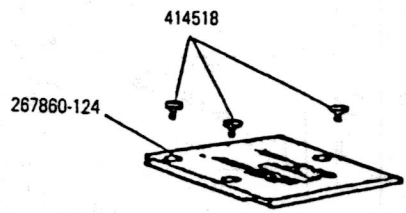
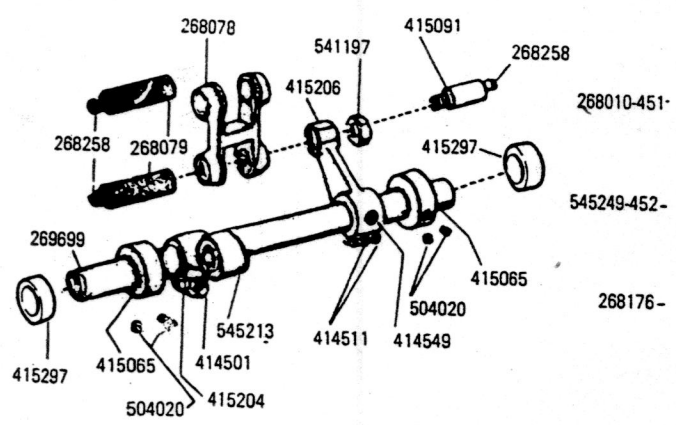
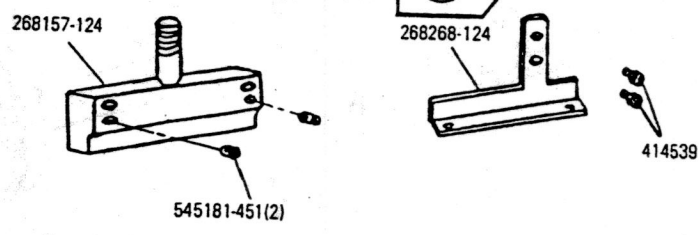
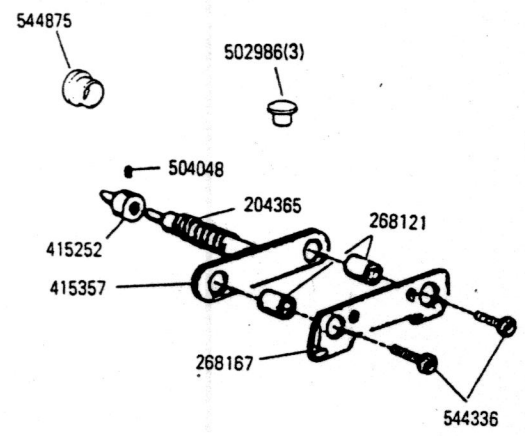


302 u



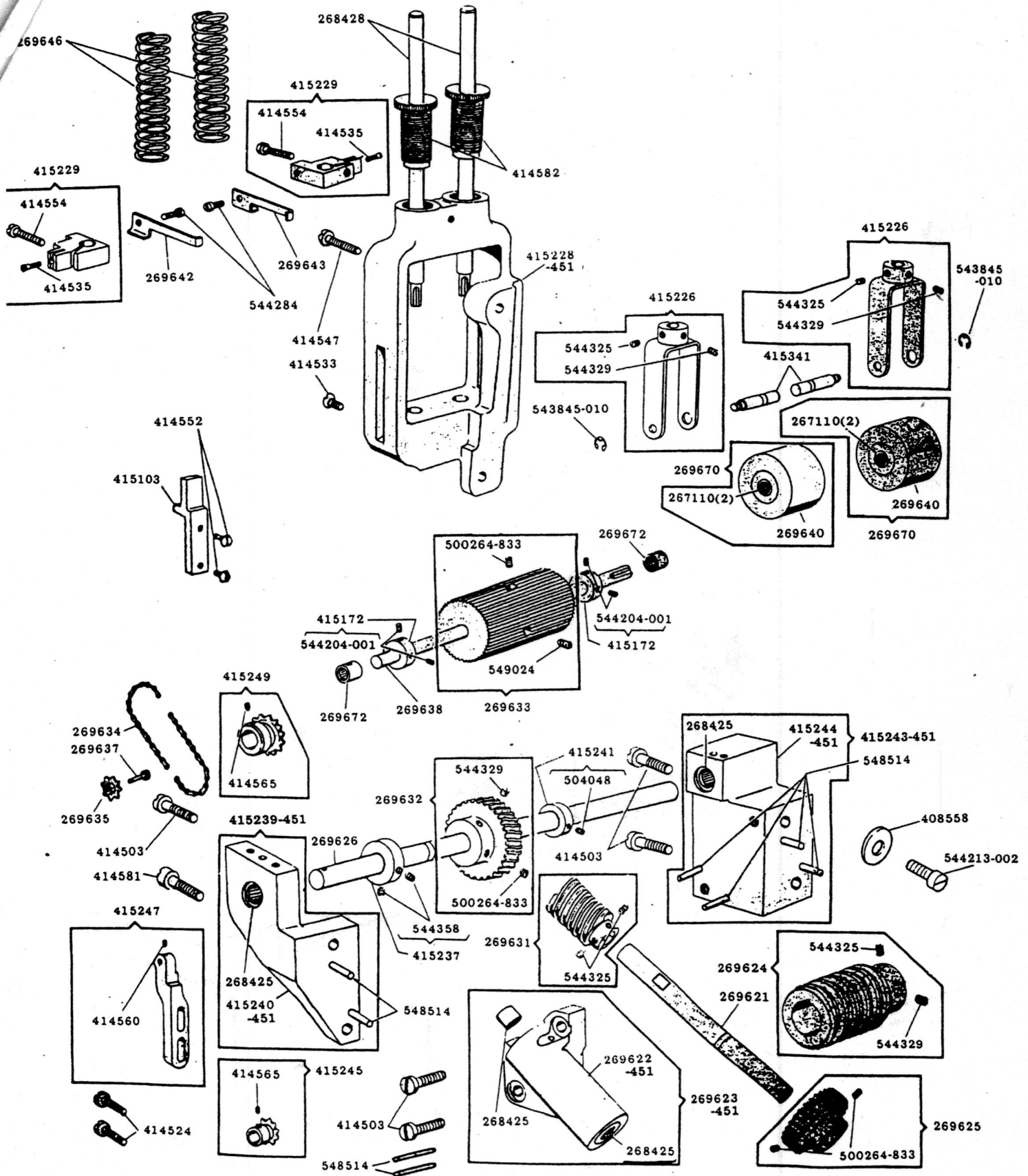


(2)
> 281217



ADDITIONAL PARTS

PART NO.	DESCRIPTION
415443	Puller Feed Kit



ADDITIONAL PARTS

PART NO.	DESCRIPTION	PART NO.	DESCRIPTION
267110	Puller Feed Roll (upper) Needle Bearing (4)	414565	Puller Feed Driving Shaft Sprocket Set Screw
268425	Puller Feed Cross Shaft Needle Bearing (2)	414581	Puller Feed Driving Shaft Bracket Screw (lower)
268425	Puller Feed Driving Shaft Needle Bearing (2)	414582	Puller Feed Roll (upper) Bar Spring Adjusting Screw (2)
268428	Puller Feed Roll (upper) Bar (2)		Puller Feed Roll (upper) Bar Lifter Arm Block
269621	Puller Feed Cross Shaft	415103	Puller Feed Roll (lower) Shaft Collar with two 544204-001 (2)
269622-451	Puller Feed Cross Shaft Bracket	415172	Puller Feed Roll (upper) Bracket with 544325 and 544329 (2)
269623-451	Puller Feed Cross Shaft Bracket 269622-451 with two 268425	415226	Puller Feed Roll (upper) Bar Bracket
269624	Puller Feed Cross Shaft Worm with 544325 and 544329	415228-451	Puller Feed Roll (upper) Bar Position Bracket with 414535 and 414554 (2)
269625	Puller Feed Cross Shaft Worm Gear with two 500264-833	415229	Puller Feed Driving Shaft Collar with two 544358
269626	Puller Feed Driving Shaft	415237	Puller Feed Driving Shaft Bracket 415240-451 with 268425
269631	Puller Feed Driving Shaft Worm with two 544325 (for 9 stitches per inch)	415239-451	Puller Feed Driving Shaft Bracket
269632	Puller Feed Driving Shaft Worm Gear with 500264-833 and 544329 (for 9 stitches per inch)	415240-451	Puller Feed Driving Shaft Thrust Collar with 504048
269633	Puller Feed Roll (lower) Chain	415241	Puller Feed Driving Shaft Bracket 415244-451 with 268425 (Needle Bearing on left)
269634	Puller Feed Roll (lower) Chain Idler Sprocket	415243-451	Puller Feed Driving Shaft Bracket (right)
269635	Puller Feed Roll (lower) Chain Idler Sprocket Pin	415244-451	Puller Feed Roll (lower) Shaft Sprocket with 414565
269637	Puller Feed Roll (lower) Chain Idler Sprocket Pin	415245	Puller Feed Roll (lower) Chain Idler Sprocket Bracket with 414560
269638	Puller Feed Roll (lower) Shaft	415247	Puller Feed Driving Shaft Sprocket with 414565
269640	Puller Feed Roll (upper) (2)		Puller Feed Roll (upper) Shaft (2)
269642	Puller Feed Roll (upper) Bar Lifter Arm (left)	415249	Puller Feed Cross Shaft Worm Gear Set Screw (2)
269643	Puller Feed Roll (upper) Bar Lifter Arm (right)	415341	Puller Feed Driving Shaft Worm Gear Set Screw
269646	Puller Feed Roll (upper) Bar Spring (2)	500264-833	Puller Feed Roll (lower) Set Screw
269670	Puller Feed Roll (upper) 269640 with two 267110(2)	500264-833	Puller Feed Driving Shaft Thrust Collar Set Screw
269672	Puller Feed Roll (lower) Shaft Needle Bearing (2)	500264-833	Puller Feed Roll (upper) Shaft Retaining Ring (2)
408558	Puller Feed Cross Shaft Washer	504048	Puller Feed Roll (lower) Shaft Collar Set Screw (4)
414503	Puller Feed Cross Shaft Bracket Screw (2)	543845-010	Puller Feed Cross Shaft Washer Screw
414503	Puller Feed Driving Shaft Bracket Screw (3)	544204-001	Puller Feed Roll (upper) Bar Lifter Arm Screw (2)
414524	Puller Feed Roll (lower) Chain Idler Sprocket Bracket Screw (2)	544213-002	Puller Feed Cross Shaft Worm Set Screw
414533	Puller Feed Roll (upper) Bar Bracket Screw (lower)	544284	Puller Feed Driving Shaft Worm Set Screw (2)
414535	Puller Feed Roll (upper) Bar Position Bracket Adjusting Screw (2)	544325	Puller Feed Roll (upper) Bracket Set Screw (2)
414547	Puller Feed Roll (upper) Bar Bracket Screw (upper)	544325	Puller Feed Cross Shaft Worm Position Screw
414552	Puller Feed Roll (upper) Bar Lifter Arm Block Screw	544329	Puller Feed Driving Shaft Worm Gear Position Screw
414554	Puller Feed Roll (upper) Bar Position Bracket Pinch Screw (2)	544329	Puller Feed Roll (upper) Bracket Position Screw (2)
414560	Puller Feed Roll (lower) Chain Idler Sprocket Pin Set Screw	544358	Puller Feed Driving Shaft Collar Set Screw (2)
414565	Puller Feed Roll (lower) Shaft Sprocket Set Screw	548514	Puller Feed Cross Shaft Bracket Position Pin (2)
		548514	Puller Feed Driving Shaft Bracket Position Pin (6)
		549024	Puller Feed Roll (lower) Position Screw