

目 录

CONTENTS

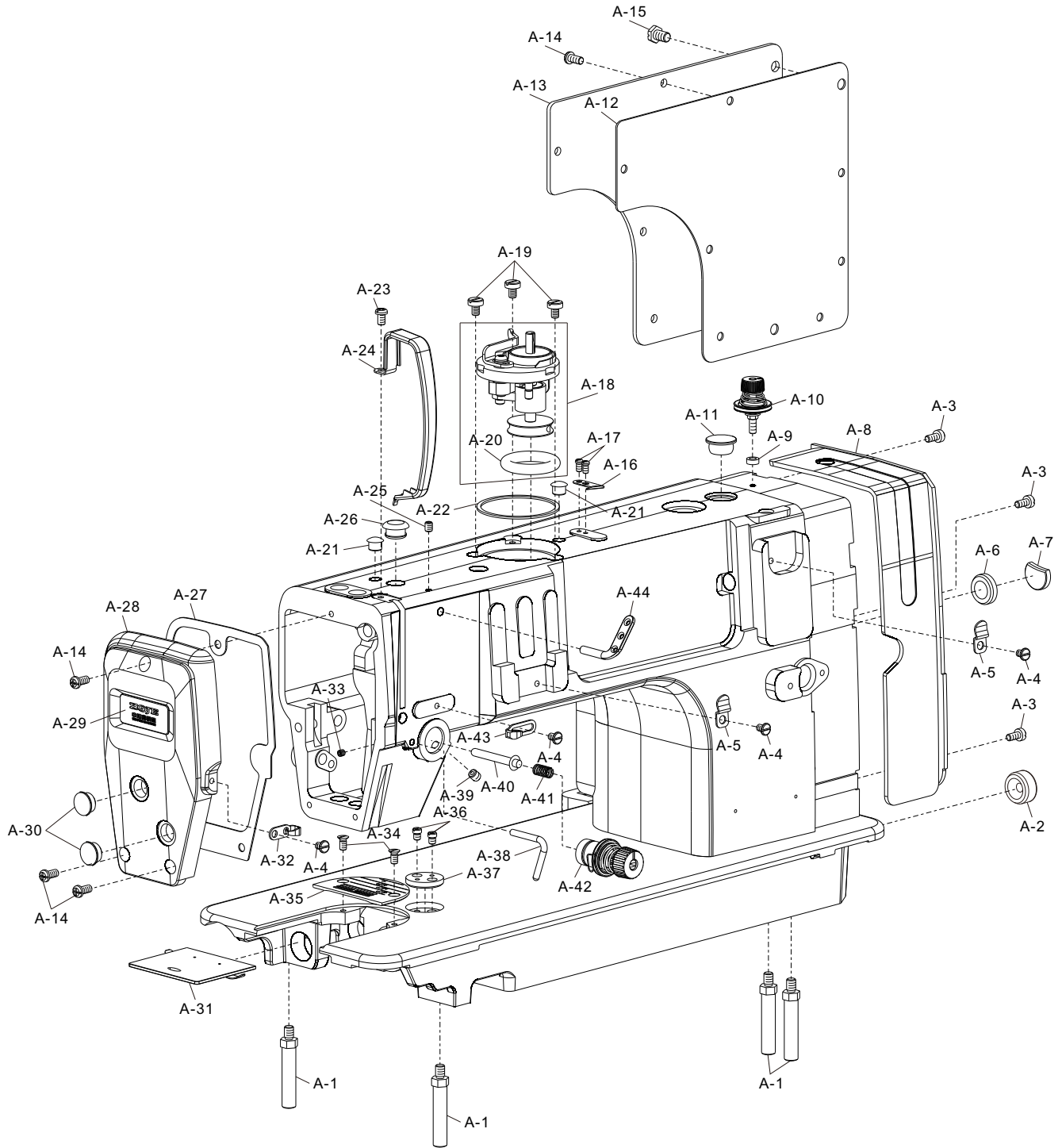
零件样本 Parts Book

A	机壳分组件 Machine Frame & Miscellaneous Cover Components	1
B	上轴、挑线分组件 Main Shaft & Thread Take-up Cover Components	3
C	抬压脚分组件 Hang Lifter & Tension Release Components	7
D	勾线分组件 Hook Of Driving Shaft Components	9
E	送料分组件 Feed Mechanism Components	11
F	电控分组件 Drive-by-wire Components	15
G	润滑分组件 Lubrication Components	17
H	油盘、膝抬压脚分组件 Presser Foot Components Of Oil Plate Knee Lift	19
I	过线架分组件 Components Of Thread-running Stand	21
J	附件 Auxiliaries	23

A

机壳分组件

Machine Frame & Miscellaneous Cover Components



A

机壳分组件

Machine Frame & Miscellaneous Cover Components

序号 Ref. No.	件号 Part No.	名称	Name of part	数量 QTY	备注 Remark
A-1	10002577	底板支柱	Bed screw stud	4	
A-2	10008941	橡胶塞	Rubber plug	1	
A-3	10010066	SM11/64"×40螺钉	Screw SM11/64"×40	3	
A-4	10008973	SM11/64"×40螺钉	Screw SM11/64"×40	4	
A-5	10062047	滑扣簧	Slide buckle	2	
A-6	10008975	橡胶塞	Rubber plug	1	
A-7	10053849	橡胶塞	Rubber plug	1	
A-8	10063821	塑料标识板	Plastic plate	1	
A-9	10062565	绕线夹线器垫圈	Washer	1	
A-10	10062049	绕线夹线器组件	Bobbin thread tension ASM	1	
A-11	10009576	橡胶塞	Rubber plug	1	
A-12	10062030	后窗板垫	Side plate gasket	1	
A-13	20024052	后窗板	Side plate	1	
A-14	10008972	SM3/16"×28螺钉	Screw SM3/16"×28	10	
A-15	10062046	安装接头螺钉	Screw	2	
A-16	10011149	绕线切刀	Thread cutter	1	
A-17	10050423	SM9/64"×40螺钉	Screw SM9/64"×40	2	
A-18	10031086	绕线器	Bobbin wider ASM.	1	
A-19	10004380	SM3/16"×32螺钉	Screw SM3/16"×32	3	
A-20	10008773	橡胶轮	Rubber ring	1	
A-21	10008943	橡胶塞	Rubber ring	2	
A-22	10061911	绕线器垫	Bobbin wider ASM. Washer	1	
A-23	10008934	SM3/16"×28螺钉	Screw SM3/16"×28	1	
A-24	10014082	挑线杆护罩	Thread take-up lever cover	1	
A-25	10041529	SM3/16"×28螺钉	Screw SM3/16"×28	1	
A-26	10008942	橡胶塞	Rubber ring	1	
A-27	10062031	面板垫	Face plate gasket	1	
A-28	20024053	面板	Face plate	1	
A-29	10062054	面板装饰牌	Decorative board	1	
A-30	10008977	橡胶塞	Rubber ring	2	
A-31	10013706	推板部件	Push plate ASM.	1	
A-32	10008937	左线钩	Arm thread guide left	1	
A-33	10009074	M4螺钉	Screw M4	1	
A-34	10009005	SM11/64"×40螺钉	Screw SM11/64"×40	2	
A-35	10012131	针板组件	Needle plate	1	
A-35	10005917	针板组件	Needle plate	1	-5/H
A-35	10008039	针板组件	Needle plate	1	S7
A-36	10004374	SM11/64"×40螺钉	Screw SM11/64"×40	2	
A-37	10004373	限位挡片	Ruler plate	1	
A-38	10039823	缓线钩	Presser bar thread guide	1	
A-39	10006264	SM15/64"×28螺钉	Screw SM15/64"×28	1	
A-40	10062374	松线辅钉	Tension release supporting pin	1	
A-41	10050348	弹簧	Spring	1	
A-42	10062050	夹线器部件	Thread take-up device	1	
A-43	10008940	右线钩	Arm thread guide right	1	
A-44	10010640	三眼线钩	Thread-hole guid	1	

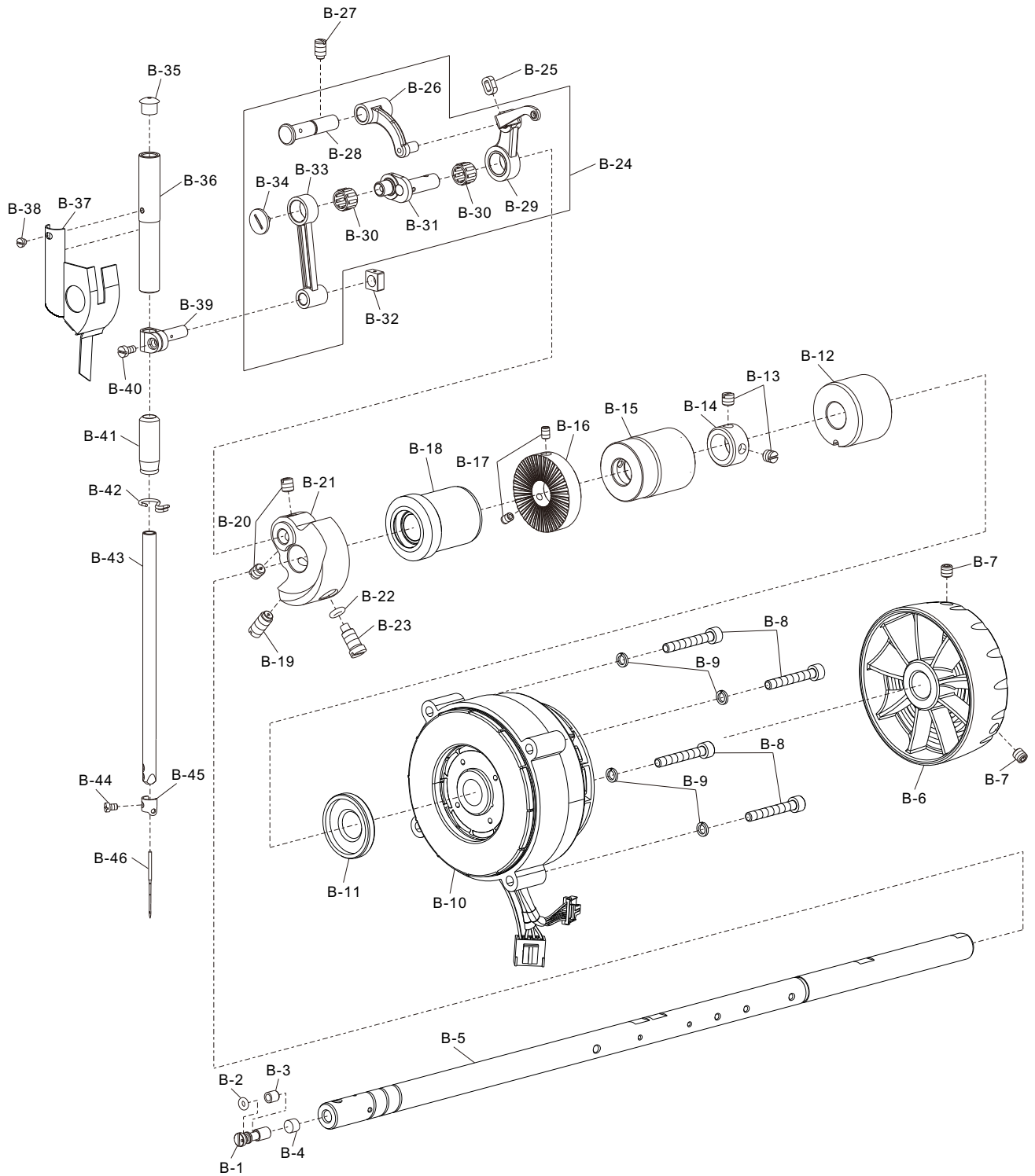
“*” 具体内容需向客服咨询

“*” Specific content need to consult customer service

B

上轴、挑线分组件

Main Shaft & Thread Take-up Cover Components



B

上轴、挑线分组件 Main Shaft & Thread Take-up Cover Components

序号 Ref. No.	件号 Part No.	名称	Name of part	数量 QTY	备注 Remark
B-1	10010504	油量调节销	Adjusting pin	1	
B-2	10010538	6.46×1.78 O形圈	O-ring 6.46×1.78	1	
B-3	10010540	油量调节销套	Sleeve of adjusting pin	1	
B-4	10010541	毛毡	Roler felt	1	
B-5	10062373	上轴	Main shaft	1	
B-6	20023713	上轮	Head wheel	1	
B-7	10011232	M6×6螺钉	Screw M6×6	2	
B-8	10003100	M5×35螺钉	Screw M5×35	4	
B-9	10005537	5弹簧垫圈	Washer 5	4	
B-10	10053257	分体电机组件	Motor ASM.	1	
B-11	10058049	油封	Oil seal	1	
B-12	10048486	上轴后轴套	Shaft sleeve	1	
B-13	10005020	SM1/4"×40螺钉	Screw SM1/4"×40	2	
B-14	10048496	挡圈	Thrust collar	1	
B-15	10048484	上轴中轴套	Shaft sleeve	1	
B-16	10004472	绕线主动轮	Driving wheel	1	
B-17	10012062	SM11/64"×40螺钉	Screw SM11/64"×40	2	
B-18	10061912	上轴前轴套	Shaft sleeve	1	
B-19	10010082	SM9/32"×28螺钉	Screw SM9/32"×28	1	
B-20	10010065	SM1/4"×40螺钉	Screw SM1/4"×40	2	
B-21	10012203	针杆曲柄	Crank	1	
B-21	10012858	针杆曲柄	Crank	1	-5
B-21	10005938	针杆曲柄	Crank	1	H
B-22	10010534	9.2×2.4 O形圈	O-ring 9.2×2.4	1	
B-23	10010545	针杆曲柄定位螺钉	Screw	1	
B-24	10047592	挑线杆组件	Thread take-up lever ASM.	1	
B-25	10010539	挑线杆防油圈	Oil resistant cover	1	
B-26	10010535	挑线连杆	Connecting rod	1	
B-26	10005936	挑线连杆	Connecting rod	1	H
B-27	10010083	SM15/64"×28螺钉	Screw SM15/64"×28	1	
B-28	20019236	挑线连杆销组件	Pin ASM.	1	
B-29	10038474	挑线杆	Thread take-up lever	1	
B-29	10004158	挑线杆	Thread take-up lever	1	S7
B-29	10005939	挑线杆	Thread take-up lever	1	H
B-30	10014107	K8×12×7.8滚针轴承	Needle bearing K8×12×7.8	2	
B-31	10004144	挑线曲柄部件	Crank ASM.	1	
B-31	10005937	挑线曲柄部件	Crank ASM.	1	-5/H
B-32	10010586	针杆连接柱滑块	Sliding block	1	
B-33	10010592	针杆连杆	Connecting rod	1	
B-34	10010537	挑线曲柄左旋螺钉	Screw	1	
B-35	10010587	橡胶塞	Rubber plug	1	
B-36	10011063	针杆上轴套	Shaft sleeve	1	
B-37	10056308	面部防油板部件	ARM oil shield ASM.	1	
B-38	10005558	SM1/8"×44螺钉	Screw SM1/8"×44	1	
B-39	10010590	针杆连接柱	Joint pin	1	
B-40	10030286	SM9/64"×40螺钉	Screw SM9/64"×40	1	
B-41	10014117	针杆下轴套	Shaft sleeve	1	

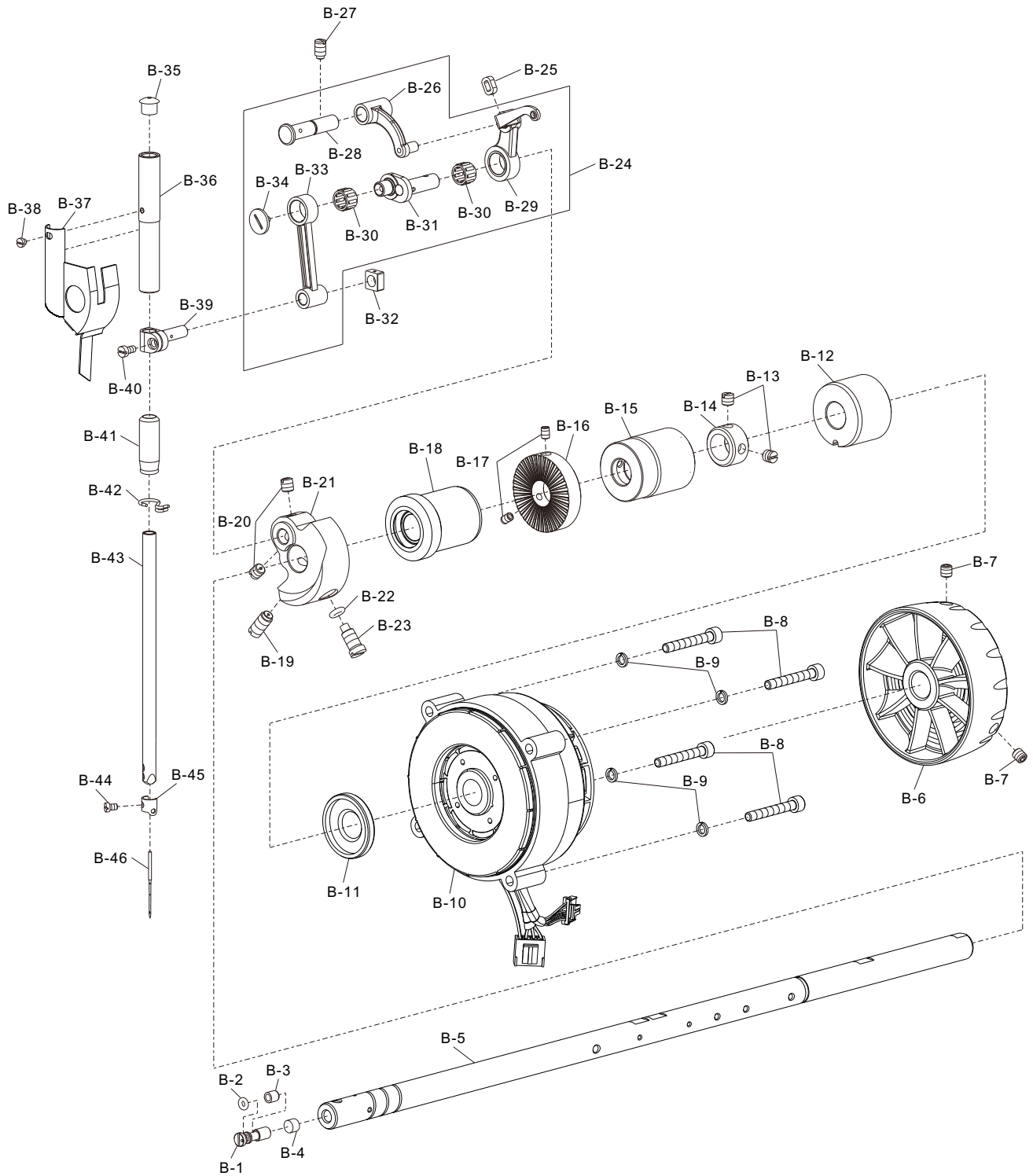
“*” 具体内容需向客服咨询

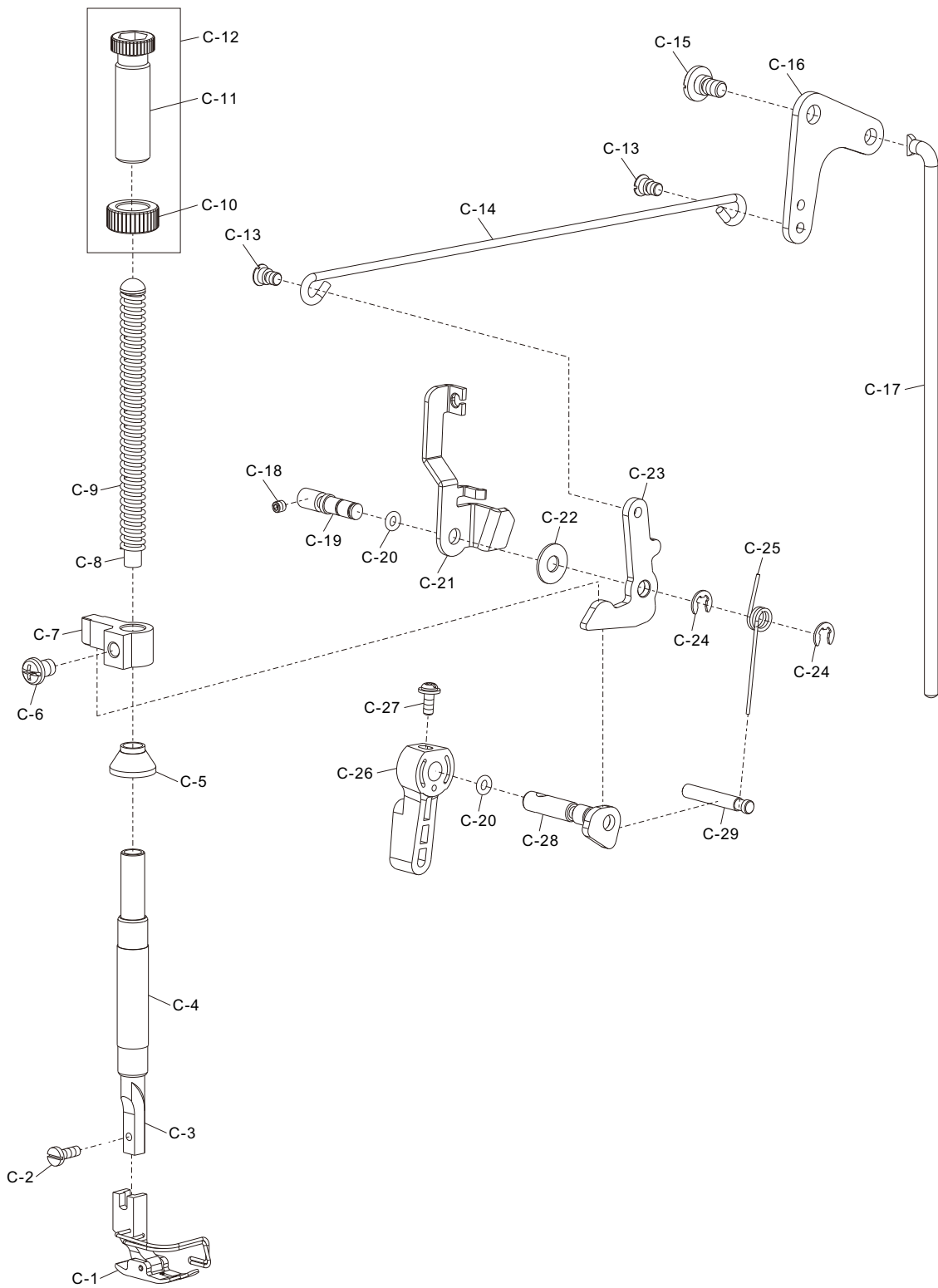
“*” Specific content need to consult customer service

B

上轴、挑线分组件

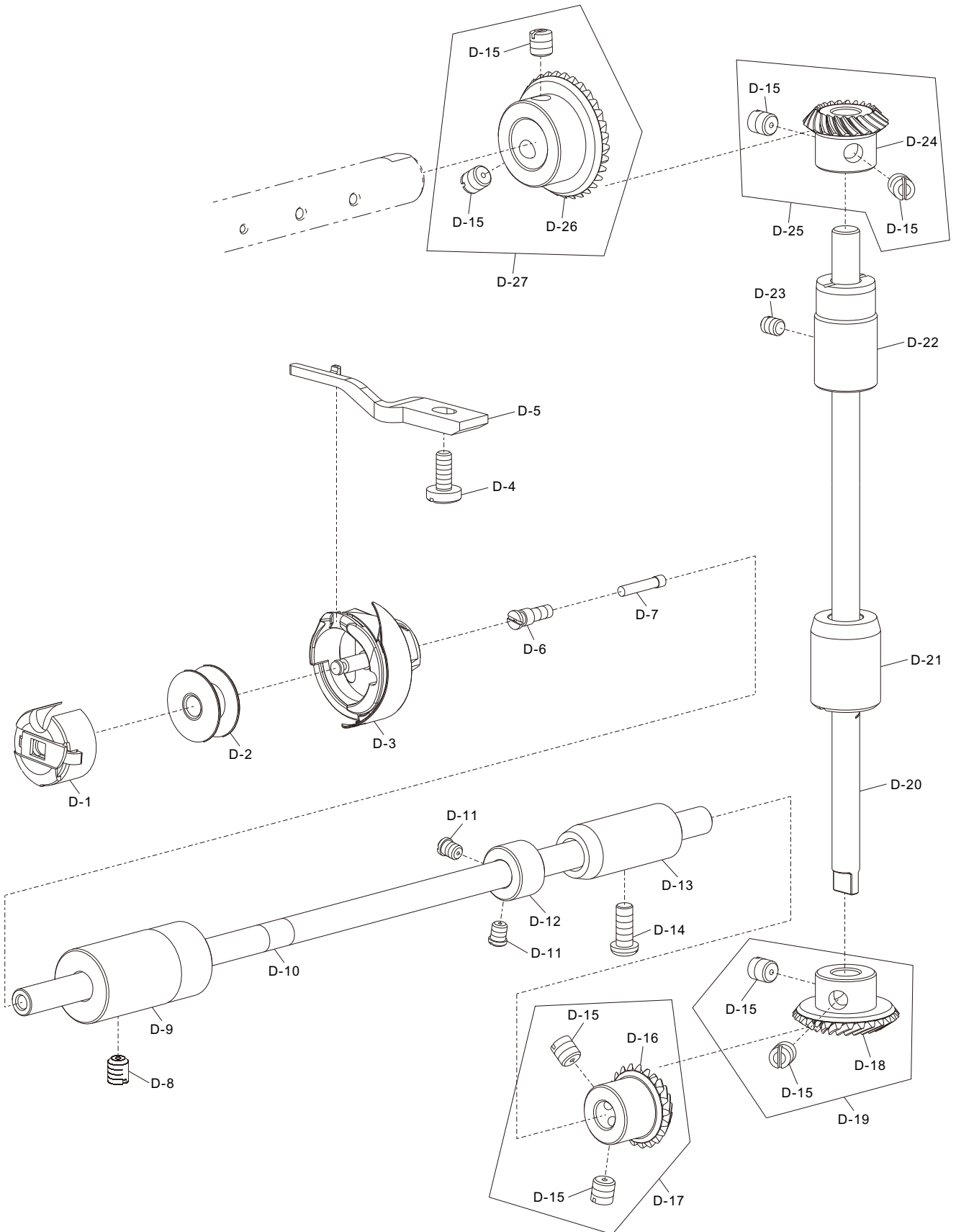
Main Shaft & Thread Take-up Cover Components

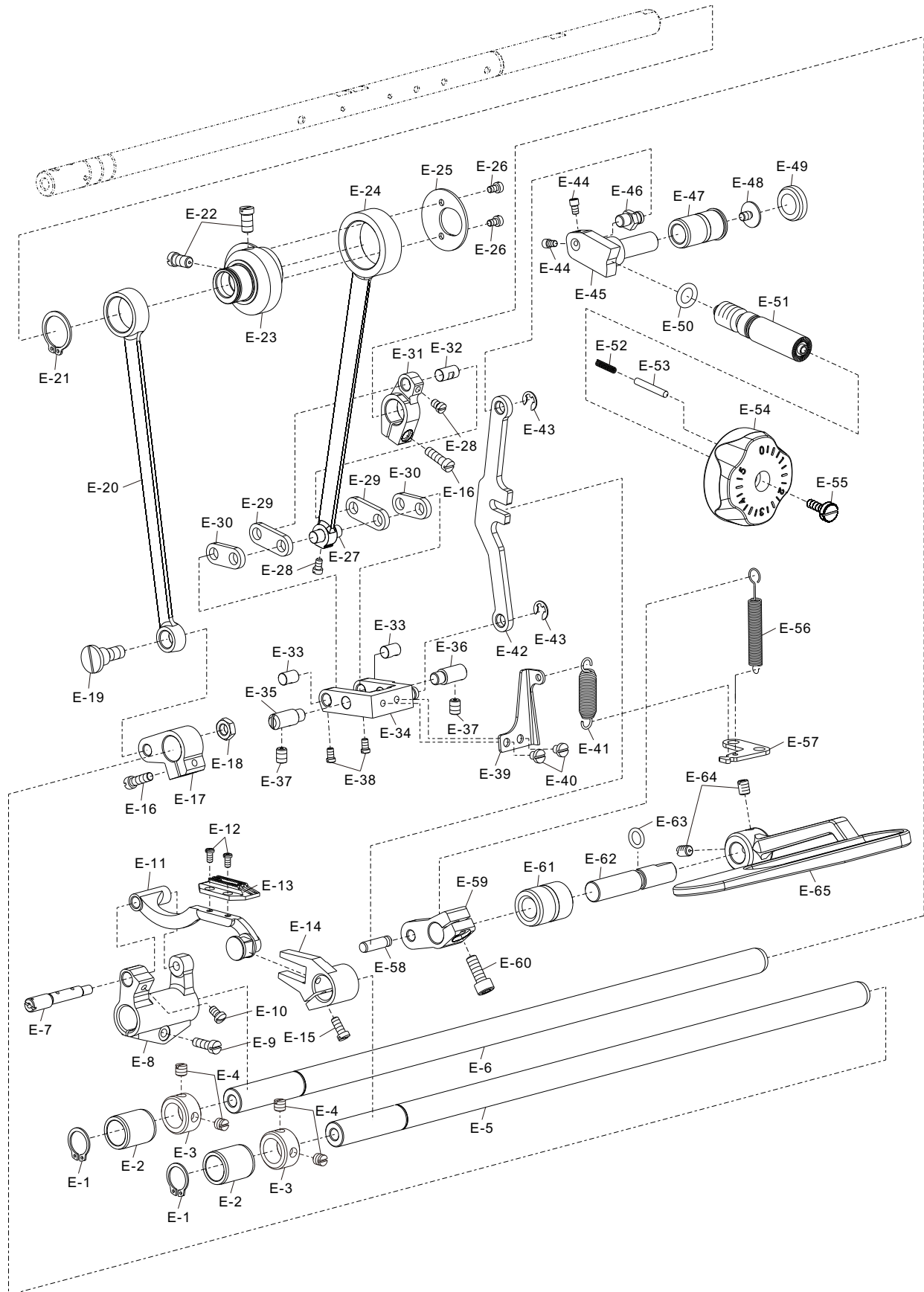




D

勾线分组件 Hook Of Driving Shaft Components



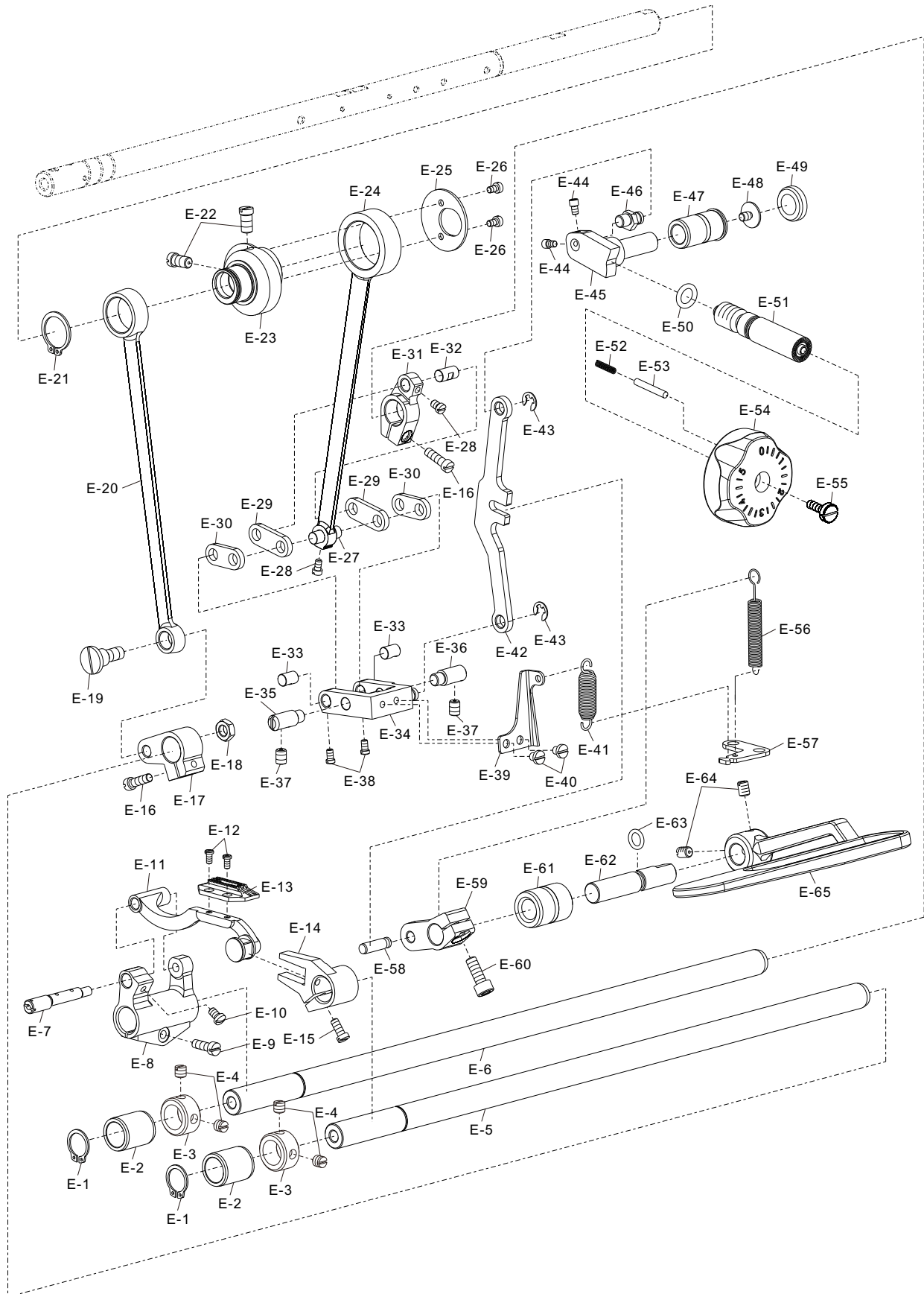


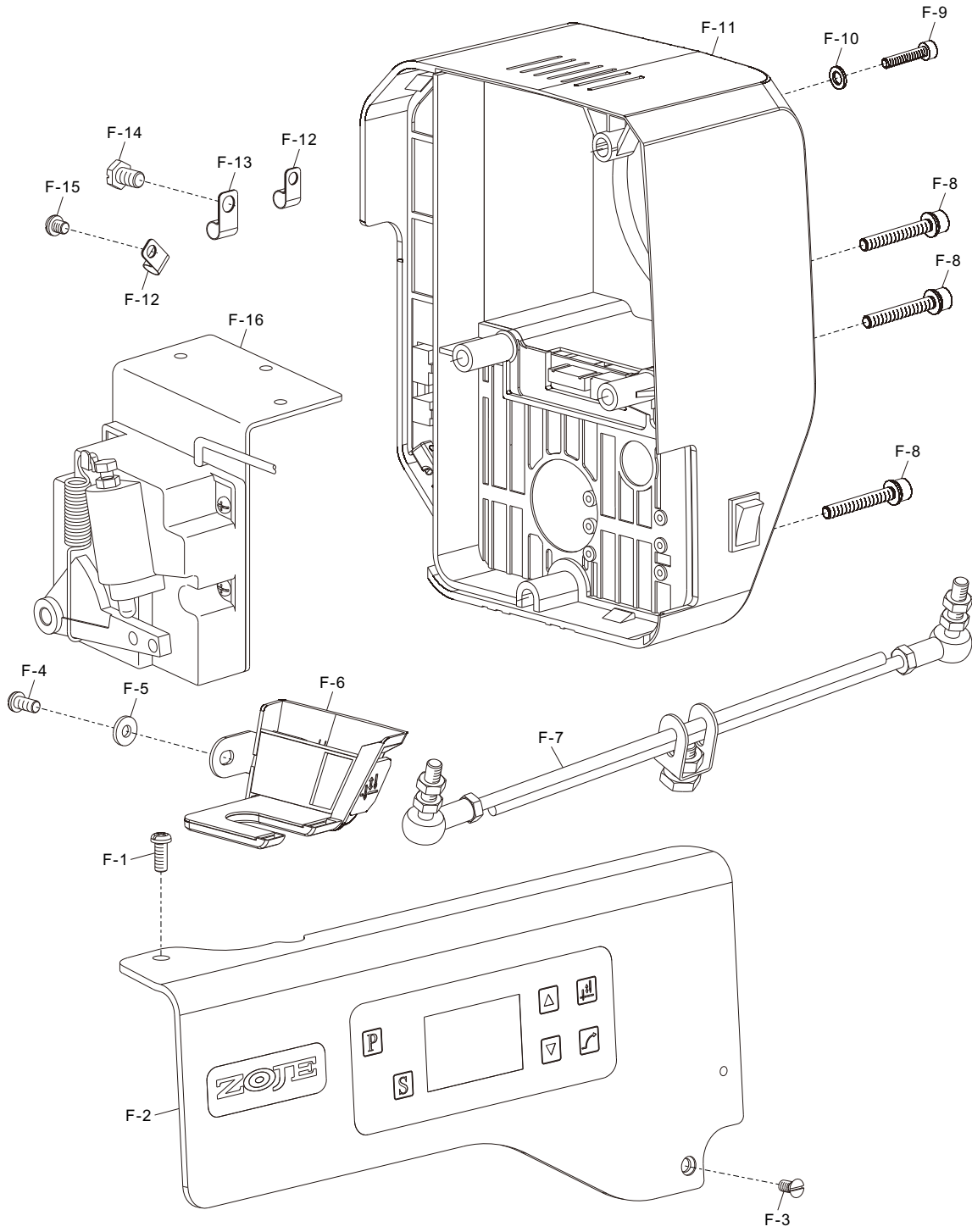


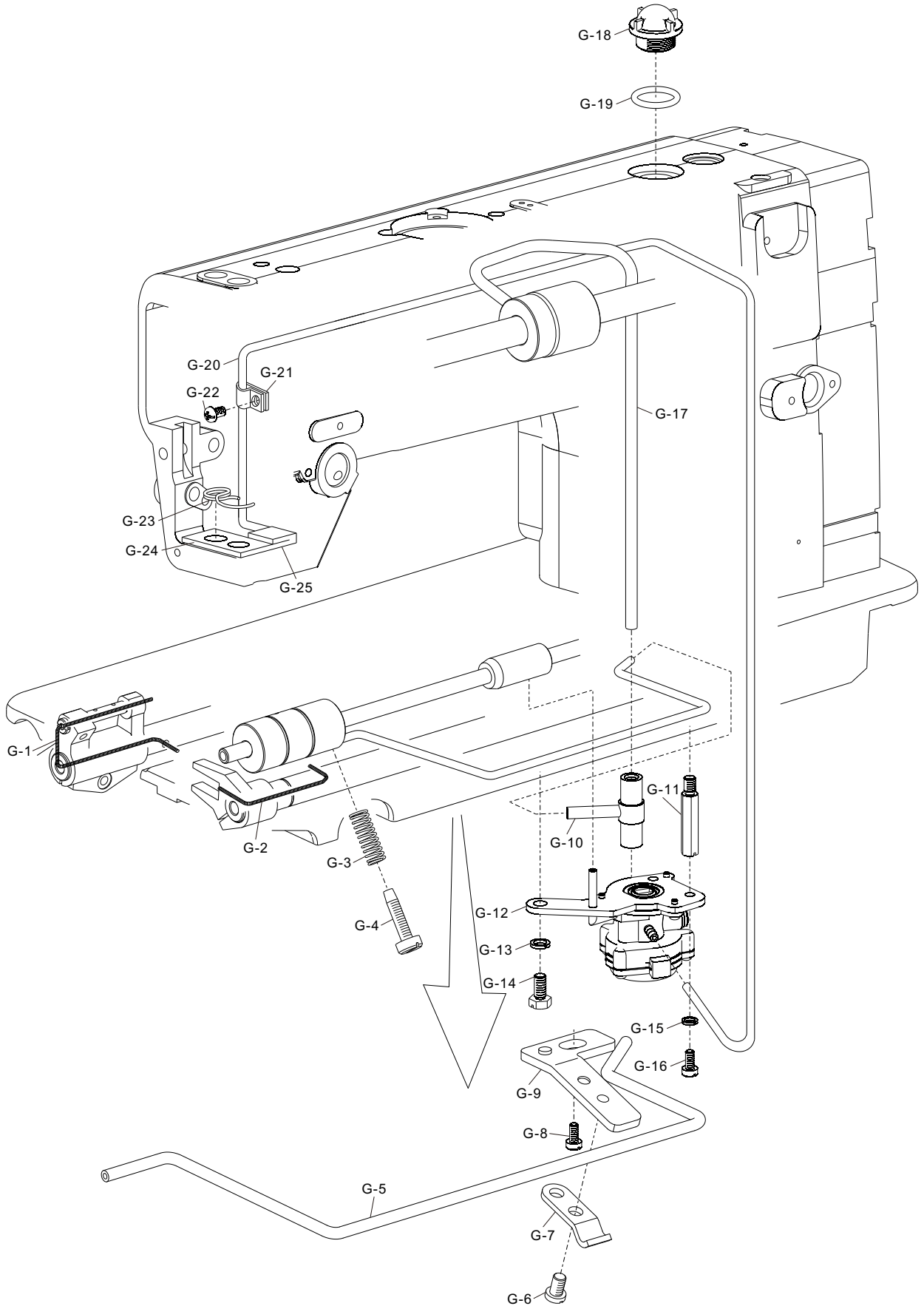
送料分组件
Feed Mechanism Components

序号 Ref. No.	件号 Part No.	名称	Name of part	数量 QTY	备注 Remark
E-1	10010090	13.8×1挡圈	Closing ring 13.8×1	2	
E-2	10014116	送料拾牙轴轴套	Shaft sleeve	2	
E-3	10048496	挡圈	Thrust collar	2	
E-4	10005020	SM1/4"×40螺钉	Screw SM1/4"×40	4	
E-5	10010097	拾牙轴	Feed driving shaft	1	
E-6	10010073	送料轴	Feed rocker shaft	1	
E-7	10004440	牙架座偏心销	Pin	1	
E-8	10004474	牙架座	Feed bar driving crank	1	
E-9	10004993	SM3/16"×28螺钉	Screw SM3/16"×28	1	
E-10	10010074	SM11/64"×40螺钉	Screw SM11/64"×40	1	
E-11	20017406	牙架部件	Feed bar ASM.	1	
E-11	20018472	牙架部件	Feed bar ASM.	1	H
E-12	10010099	SM1/8"×44螺钉	Screw SM1/8"×44	2	
E-13	10011066	送料牙	Feed dog	1	
E-13	10026357	送料牙	Feed dog	1	S7
E-13	10006005	送料牙	Feed dog	1	-5/H
E-14	10010100	拾牙叉形曲柄	Crank	1	
E-14	10030200	拾牙叉形曲柄	Crank	1	S7/H
E-15	10004628	SM11/64"×40螺钉	Screw SM11/64"×40	1	
E-16	10010095	SM3/16"×28螺钉	Screw SM3/16"×28	2	
E-17	10010086	拾牙后曲柄	Crank	1	
E-18	10004475	SM9/32"×28螺母	Nut SM9/32"×28	1	
E-19	10010091	拾牙连杆轴位螺钉	Screw	1	
E-20	10010084	拾牙连杆	Connecting rod	1	
E-21	10010089	18.5×1.2挡圈	Closing ring 18.5×1.2	1	
E-22	10010092	SM1/4"×40螺钉	Screw SM1/4"×40	2	
E-23	10010115	送料偏心轮	Feed drive eccentric cam	1	
E-23	10005991	送料偏心轮	Feed drive eccentric cam	1	S7/H
E-24	10010072	送料连杆	Connecting rod	1	
E-24	10006004	送料连杆	Connecting rod	1	S7/H
E-25	10010098	送料偏心轮盖板	Thrust cover	1	
E-25	10005992	送料偏心轮盖板	Thrust cover	1	S7/H
E-26	10010643	SM9/64"×40螺钉	Screw SM9/64"×40	2	
E-27	10010069	送料连杆销	Pin	1	
E-28	10010071	SM9/64"×40螺钉	Screw SM9/64"×40	2	
E-29	10048696	送料长摆动板	Connecting plate	2	
E-30	10048736	送料短摆动板	Connecting plate	2	
E-31	10010076	送料曲柄	Crank	1	
E-32	10010096	送料曲柄销	Pin	1	
E-33	10010087	短摆动板连接销	Pin	2	
E-34	10010088	送料摆动板座部件	Feed adjusting ASM.	1	
E-34	10028750	送料摆动板座部件	Feed adjusting ASM.	1	S7/H
E-35	10010102	送料摆动板座右销	Pin	1	
E-36	10058783	送料摆动板座右销	Pin	1	
E-37	10010678	SM15/64"×28螺钉	Screw SM15/64"×28	2	
E-38	10010197	SM9/64"×40螺钉	Screw SM9/64"×40	2	
E-39	10010282	摆动板座复位板	Plate	1	

“*” 具体内容需向客服咨询
“*” Specific content need to consult customer service



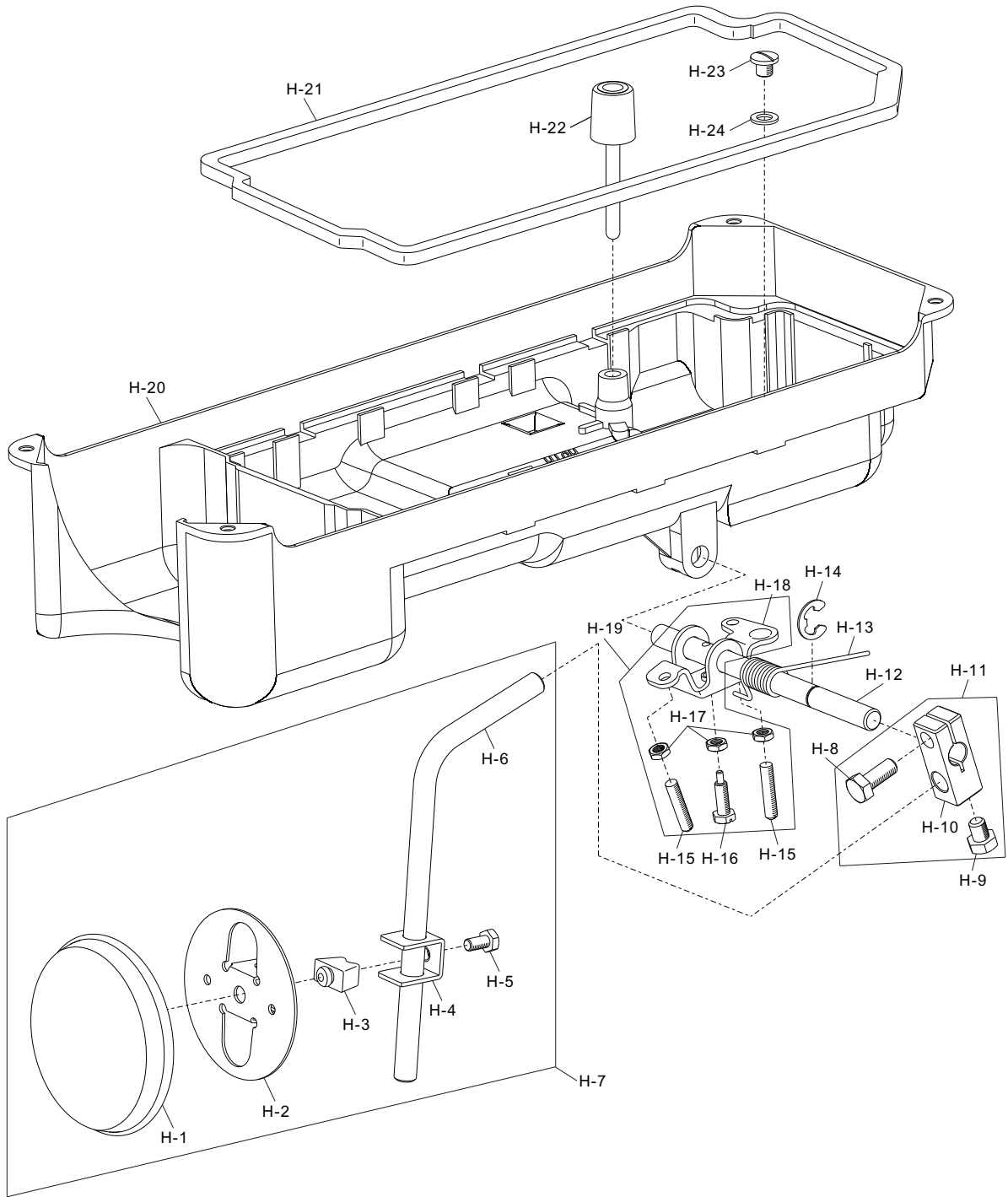




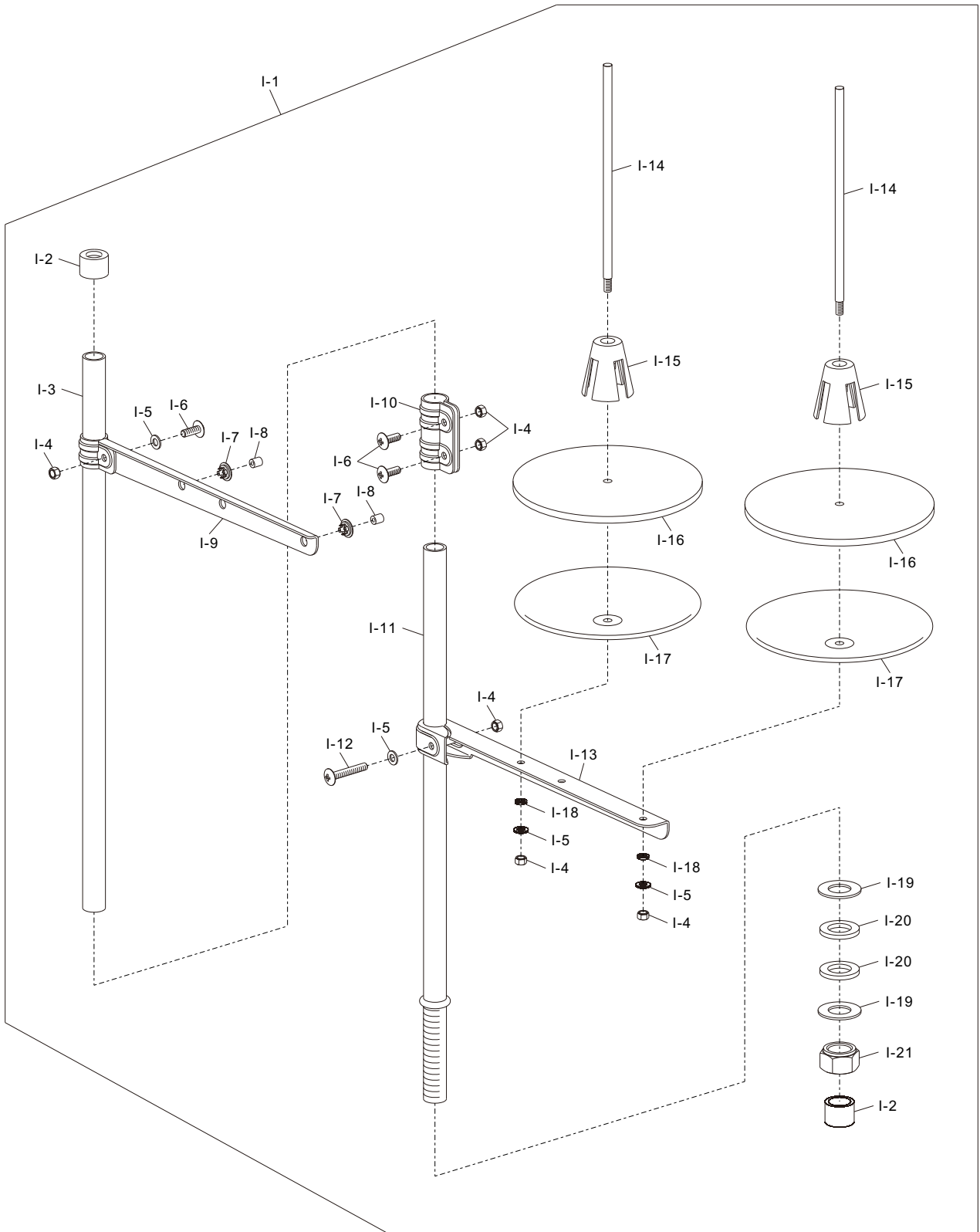


油盘、膝抬压脚分组件

Presser Foot Components Of Oil Plate Knee Lift



过线架分组件 Components Of Thread-running Stand



J

附件 Auxiliaries

