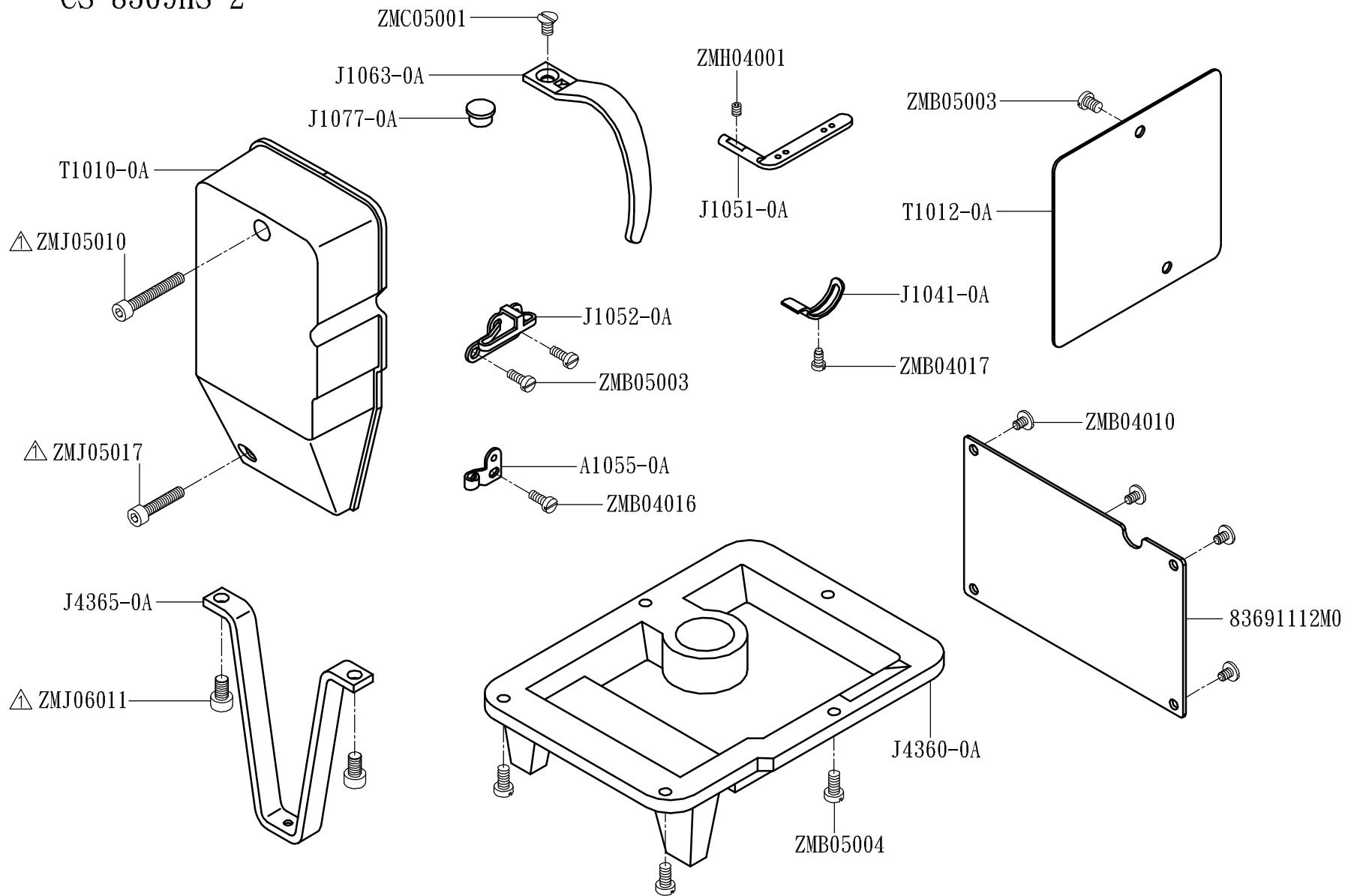


MODEL : CS-8369HS/HR/HSN/HSR/HS-2

| 索引 | INDEX | PAGE |
|---------------------|---|-------|
| A、 本體機構 ----- | ARM BED AND IT' S ACCESSORIES ----- | 2-3 |
| B、 縫線壓力調整機構 ----- | UPPER THREAD TENSION REGULATOR MECHANISM ----- | 4-5 |
| C、 單向培林軸機構 ----- | SINGLE-DIRECTION BEARING SHAFT MECHANISM ----- | 6-7 |
| D、 輪錢組機構 ----- | ROLLER PRESSER FOOT MECHANISM ----- | 8-9 |
| E、 天秤機構 ----- | TAKE-UP LEVER MECHANISM ----- | 10-11 |
| F、 上軸、皮帶輪機構 ----- | UPPER SHAFT AND BALANCE WHEEL MECHANISM ----- | 12-13 |
| G、 上邊心機構 ----- | UPPER SIDE SHAFT MECHANISM ----- | 14-15 |
| H、 針棒機構 ----- | NEEDLE BAR MECHANISM ----- | 16-17 |
| I、 針棒搖擺機構 ----- | NEEDLE BAR ROCKING MECHANISM ----- | 18-19 |
| J、 押棒機構 ----- | PRESSER FOOT BAR MECHANISM ----- | 20-21 |
| K、 皮帶傳動機構 ----- | TIMING BELT DRIVING MECHANISM ----- | 22-23 |
| L、 縫目調整機構 ----- | STITCH REGULATOR MECHANISM ----- | 24-25 |
| M、 輸送軸機構 ----- | FEED SHAFT MECHANISM ----- | 26-27 |
| N、 離合器組機構 ----- | CLUTCH SET MECHANISM ----- | 28-29 |
| O、 釜軸機構 ----- | HOOK SADDLE MECHANISM ----- | 30-53 |
| P、 送齒輪單向前進機構 ----- | FEED WHEEL SINGLE-DIRECTION DRIVING MECHANISM ----- | 54-55 |
| Q、 附件 ----- | ACCESSORIES ----- | 56-61 |
| R、 零件號碼與頁數對照表 ----- | NUMERICAL PARTS-LIST ----- | 62-65 |

A. CS-8369HS 本體機構 ARM BED AND IT'S ACCESSORIES
 CS-8369HR
 CS-8369HSN
 CS-8369HSR
 CS-8369HS-2

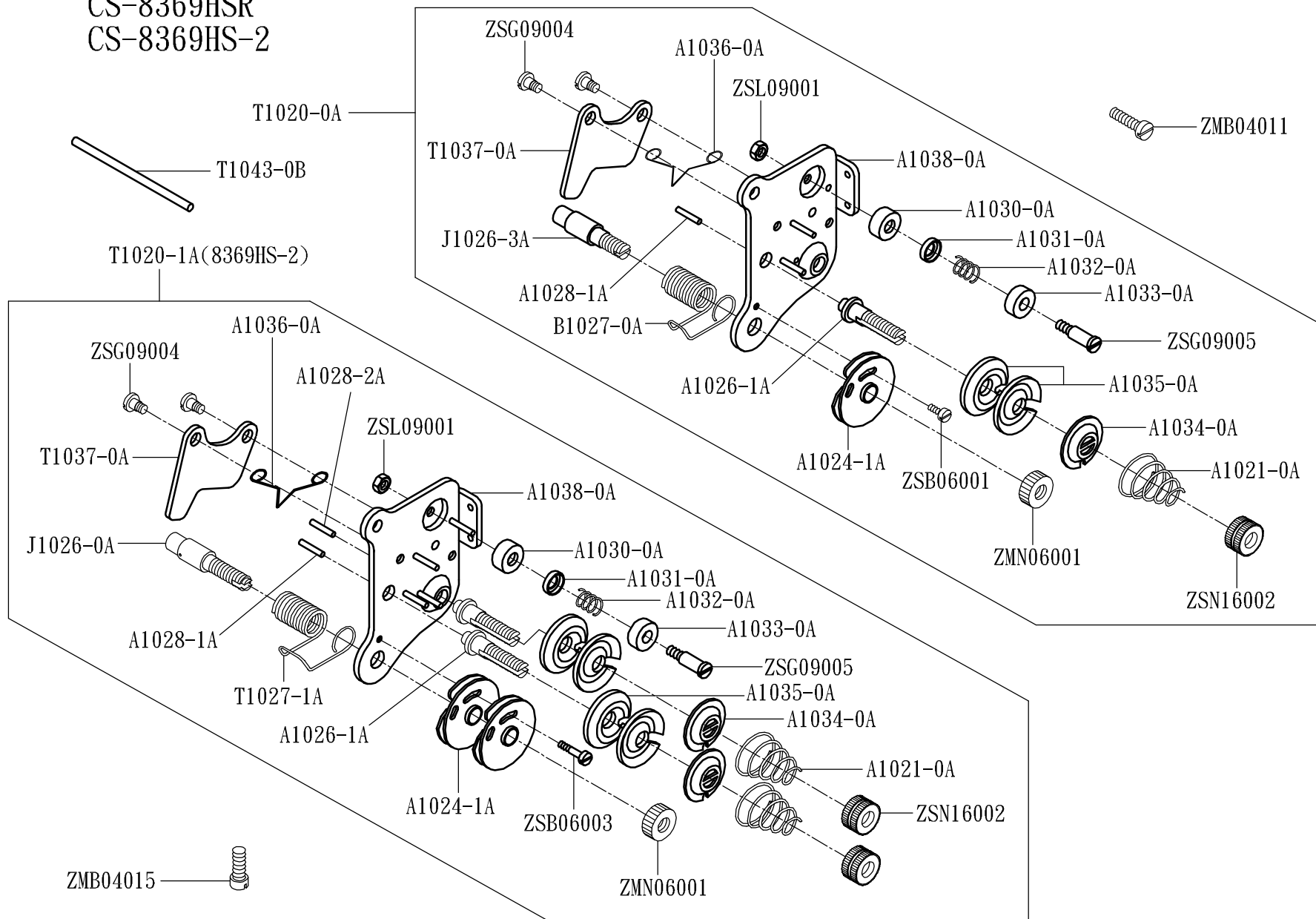


A. CS-8369HS/HR/HSN/HSR/HS-2 本體機構 ARM BED AND IT' S ACCESSORIES

| 零件號碼 Part No | 零件名稱 | Name of Part | 件數 Q, TY | | | | | 備註 Remarks |
|-----------------|---------------|------------------------------------|----------|----|-----|-----|------|---------------|
| | | | HS | HR | HSN | HSR | HS-2 | |
| 83691112M0 | 防砂板 ----- | Arm Side Cover ----- | 1 | 1 | 1 | 1 | 1 | |
| A1055-0A | 線掛 ----- | Thread Guide Wire ----- | 1 | 1 | 1 | 1 | 1 | |
| J1041-0A | 線軸彈簧調整器 ----- | Stopper ----- | 1 | 1 | 1 | 1 | 1 | |
| J1051-0A | 四孔線掛 ----- | 4 Hole Thread Retainer ----- | 1 | 1 | 1 | 1 | 1 | |
| J1052-0A | 線掛 ----- | Thread Guide Wire ----- | 1 | 1 | 1 | 1 | 1 | |
| J1063-0A | 天秤蓋 ----- | Thread Take-up Cover ----- | 1 | 1 | 1 | 1 | 1 | |
| J1077-0A | 油蓋 ----- | Needle Bar Upper Bushing Cap ----- | 1 | 1 | 1 | 1 | 1 | |
| J4360-0A | 底座盤 ----- | Bottom Cover ----- | 1 | 1 | 1 | 1 | 1 | |
| J4365-0A | 固定架 ----- | Bracket ----- | 1 | 1 | 1 | 1 | 1 | |
| T1010-0A | 面板 ----- | Face Plate ----- | 1 | 1 | 1 | 1 | 1 | |
| T1012-0A | 大防砂板 ----- | Arm Side Cover ----- | 1 | 1 | 1 | 1 | 1 | |
| ZMB04010 | 螺絲 ----- | Screw (M4-0.7x6) ----- | 4 | 4 | 4 | 4 | 4 | |
| ZMB04016 | 螺絲 ----- | Screw (M4-0.7x10) ----- | 1 | 1 | 1 | 1 | 1 | |
| ZMB04017 | 螺絲 ----- | Screw (M4-0.7x7) ----- | 1 | 1 | 1 | 1 | 1 | |
| ZMB05003 | 螺絲 ----- | Screw (M5-0.8x7) ----- | 4 | 4 | 4 | 4 | 4 | |
| ZMB05004 | 螺絲 ----- | Screw (M5-0.8x10) ----- | 5 | 5 | 5 | 5 | 5 | |
| ZMC05001 | 螺絲 ----- | Screw (M5-0.8x8) ----- | 1 | 1 | 1 | 1 | 1 | |
| ZMH04001 | 螺絲 ----- | Screw (M4-0.7x4) ----- | 1 | 1 | 1 | 1 | 1 | |
| ZMJ05010 | 螺絲 ----- | Screw (M5-0.8x35) ----- | 1 | 1 | 1 | 1 | 1 | |
| ZMJ05017 | 螺絲 ----- | Screw (M5-0.8x25) ----- | 1 | 1 | 1 | 1 | 1 | |
| ZMJ06011 | 螺絲 ----- | Screw (M6-1.0x10) ----- | 2 | 2 | 2 | 2 | 2 | |

B. CS-8369HS 縫線壓力調整機構 UPPER THREAD TENSION REGURATOR MECHANISM

CS-8369HR
 CS-8369HSN
 CS-8369HSR
 CS-8369HS-2

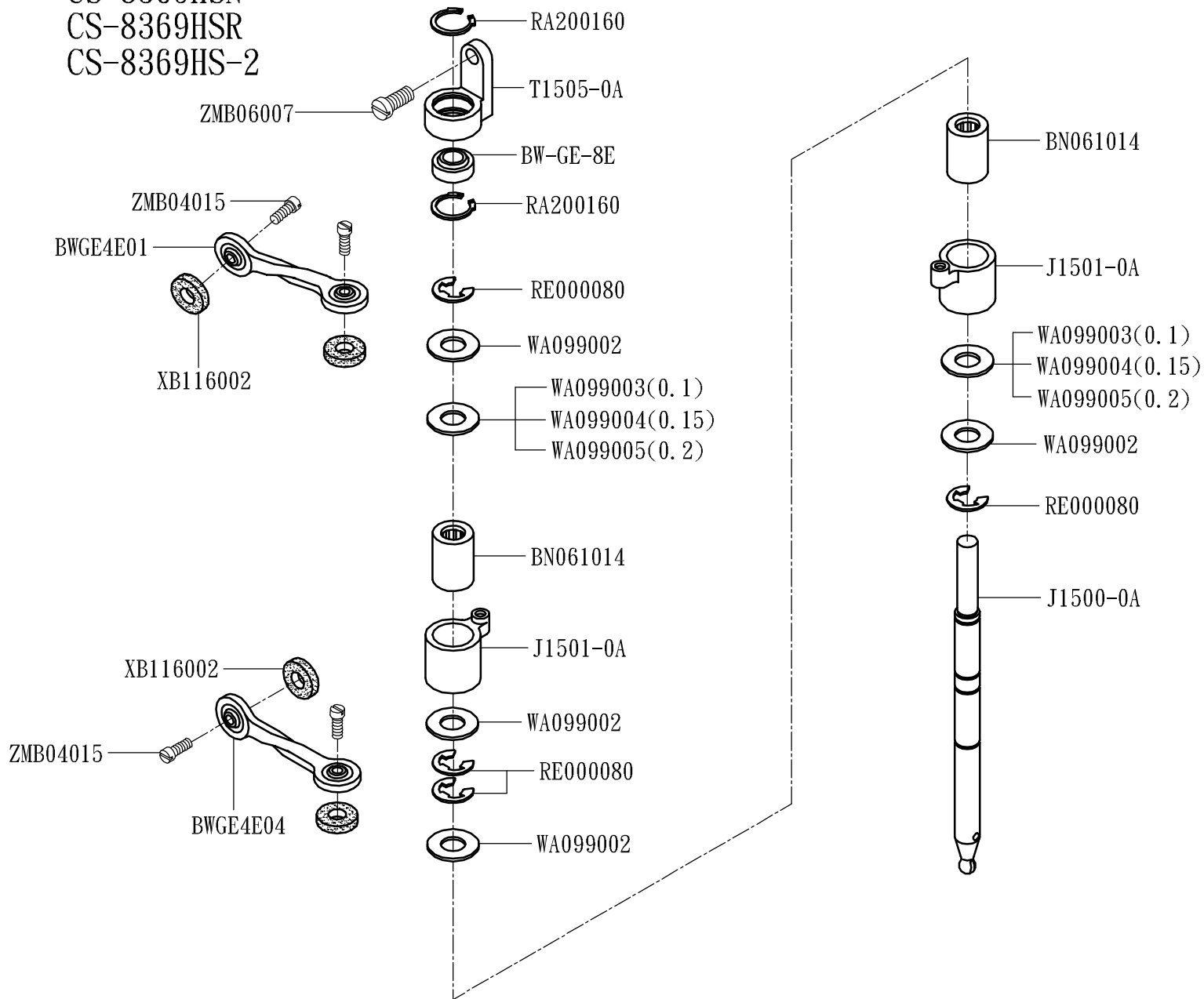


B. CS-8369HS/HR/HSN/HSR/HS-2 縫線壓力調節機構 UPPER THREAD TENSION REGULATOR MECHANISM

| 零件號碼 Part No | 零件名稱 | Name of Part | 件數 Q, TY | | | | | 備註 Remarks |
|-----------------|---------|-------------------------------|----------|----|-----|-----|------|---------------|
| | | | HS | HR | HSN | HSR | HS-2 | |
| A1021-0A | 調整彈簧 | Tension Spring | 1 | 1 | 1 | 1 | 2 | |
| A1024-1A | 過線盤組 | Spring Guide Asm. | 1 | 1 | 1 | 1 | 2 | |
| A1026-1A | 調整螺絲桿 | Thread Tension Stud | 1 | 1 | 1 | 1 | 2 | |
| A1028-1A | 鬆線銷 | Tension Releasing Pin | 1 | 1 | 1 | 1 | 1 | |
| A1028-2A | 鬆線銷 | Tension Releasing Pin | 0 | 0 | 0 | 0 | 1 | |
| A1030-0A | 過線孔台 | Thread Guide Bracket | 1 | 1 | 1 | 1 | 1 | |
| A1031-0A | 過線孔圓盤 | Thread Guide Disk | 1 | 1 | 1 | 1 | 1 | |
| A1032-0A | 導線彈簧 | Thread Guide Spring | 1 | 1 | 1 | 1 | 1 | |
| A1033-0A | 過線孔內蓋 | Thread Guide Cap | 1 | 1 | 1 | 1 | 1 | |
| A1034-0A | 線調整壓盤 | Thread Disc Washer | 1 | 1 | 1 | 1 | 2 | |
| A1035-0A | 壓力盤 | Thread Disc | 2 | 2 | 2 | 2 | 4 | |
| A1036-0A | 壓板彈簧 | Thread Releasing Spring | 1 | 1 | 1 | 1 | 1 | |
| A1038-0A | 上線壓力板 | Upper Thread Tension Plate | 1 | 1 | 1 | 1 | 1 | |
| B1027-0A | 吊線彈簧 | Thread Take-up Spring | 1 | 1 | 1 | 1 | 0 | |
| J1026-0A | 調整螺絲桿 | Thread Tension Stud | 0 | 0 | 0 | 0 | 1 | |
| J1026-3A | 調整螺絲桿 | Thread Tension Stud | 1 | 1 | 1 | 1 | 0 | |
| T1020-0A | 縫線壓力調整組 | Thread Tension Regulator Asm. | 1 | 1 | 1 | 1 | 0 | |
| T1020-1A | 縫線壓力調整組 | Thread Tension Regulator Asm. | 0 | 0 | 0 | 0 | 1 | |
| T1027-1A | 吊線彈簧 | Thread Take-up Spring | 0 | 0 | 0 | 0 | 1 | |
| T1037-0A | 彈簧板 | Thread Release Plate | 1 | 1 | 1 | 1 | 1 | |
| T1043-0B | 鬆線銷 | Thread Releasing Pin | 1 | 1 | 1 | 1 | 1 | |
| ZMB04011 | 螺絲 | Screw (M4-0.7x8) | 1 | 1 | 1 | 1 | 1 | |
| ZMB04015 | 螺絲 | Screw (M4-0.7x10) | 1 | 1 | 1 | 1 | 1 | |
| ZMN06001 | 螺帽 | Nut | 1 | 1 | 1 | 1 | 1 | |
| ZSB06001 | 螺絲 | Screw (3/32-56x6.3) | 1 | 1 | 1 | 1 | 0 | |
| ZSB06003 | 螺絲 | Screw (3/32-56x12) | 0 | 0 | 0 | 0 | 1 | |
| ZSG09004 | 螺絲 | Hinge Screw | 2 | 2 | 2 | 2 | 2 | |
| ZSG09005 | 螺絲 | Hinge Screw | 1 | 1 | 1 | 1 | 1 | |
| ZSL09001 | 螺帽 | Nut | 1 | 1 | 1 | 1 | 1 | |
| ZSN16002 | 螺帽 | Nut | 1 | 1 | 1 | 1 | 2 | |

C. CS-8369HS 單向培林軸機構 SINGLE-DIRECTION BEARING SHAFT MECHANISM

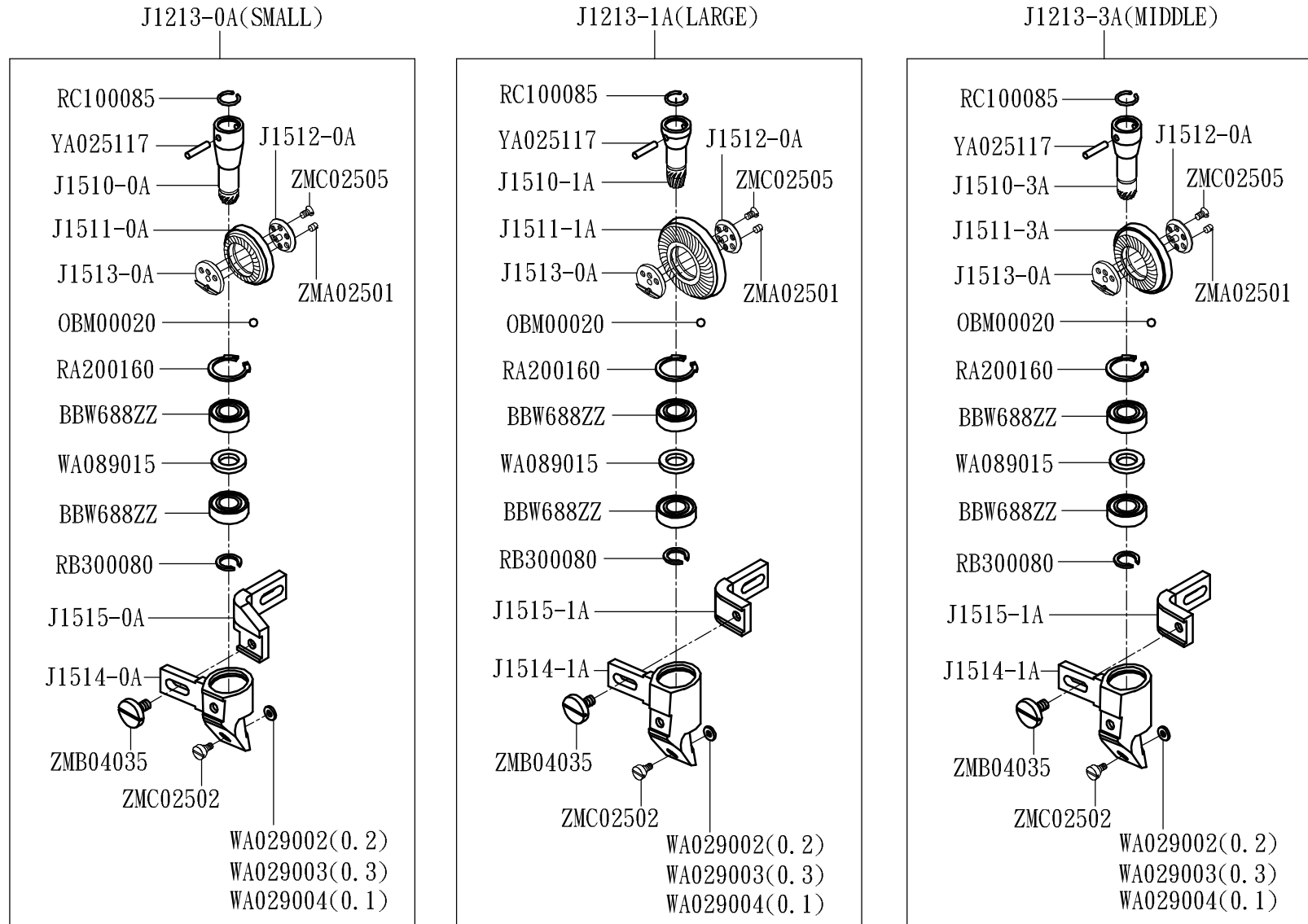
CS-8369HR
 CS-8369HSN
 CS-8369HSR
 CS-8369HS-2



C. CS-8369HS/HR/HSN/HSR/HS-2 單向培林軸機構 SINGLE-DIRECTION BEARING SHAFT MECHANISM

| 零件號碼 Part No | 零件名稱 | Name of Part | 件數 Q, TY | | | | | 備註 Remarks |
|-----------------|-----------|-------------------|----------|----|-----|-----|------|---------------|
| | | | HS | HR | HSN | HSR | HS-2 | |
| BN061014 | 針狀軸承 | Needle Bearing | 2 | 2 | 2 | 2 | 2 | |
| BWGE4E01 | 球狀萬向型軸承拉桿 | Link | 1 | 1 | 1 | 1 | 1 | |
| BWGE4E04 | 球狀萬向型軸承拉桿 | Link | 1 | 1 | 1 | 1 | 1 | |
| BW-GE-8E | 球狀萬向型軸承 | Bearing | 1 | 1 | 1 | 1 | 1 | |
| J1500-0A | 單向培林軸 | Shaft | 1 | 1 | 1 | 1 | 1 | |
| J1501-0A | 單向培林座 | Free-Wheeling | 2 | 2 | 2 | 2 | 2 | |
| RA200160 | C型扣環 | C-ring | 2 | 2 | 2 | 2 | 2 | |
| RE000080 | E型扣環 | E-ring | 4 | 4 | 4 | 4 | 4 | |
| T1505-0A | 萬向培林座 | Bearing Bracket | 1 | 1 | 1 | 1 | 1 | |
| WA099002 | 平墊圈 | Washer | 4 | 4 | 4 | 4 | 4 | |
| WA099003 | 平墊圈 | Washer | 2 | 2 | 2 | 2 | 2 | |
| WA099004 | 平墊圈 | Washer | 2 | 2 | 2 | 2 | 2 | |
| WA099005 | 平墊圈 | Washer | 2 | 2 | 2 | 2 | 2 | |
| XB116002 | 油棉 | Oil Felt | 4 | 4 | 4 | 4 | 4 | |
| ZMB04015 | 螺絲 | Screw (M4-0.7x10) | 4 | 4 | 4 | 4 | 4 | |
| ZMB06007 | 螺絲 | Screw (M6-1.0x13) | 1 | 1 | 1 | 1 | 1 | |

D. CS-8369HS 輪錢組機構 ROLLER PRESSER FOOT MECHANISM
 CS-8369HR
 CS-8369HSN
 CS-8369HSR
 CS-8369HS-2



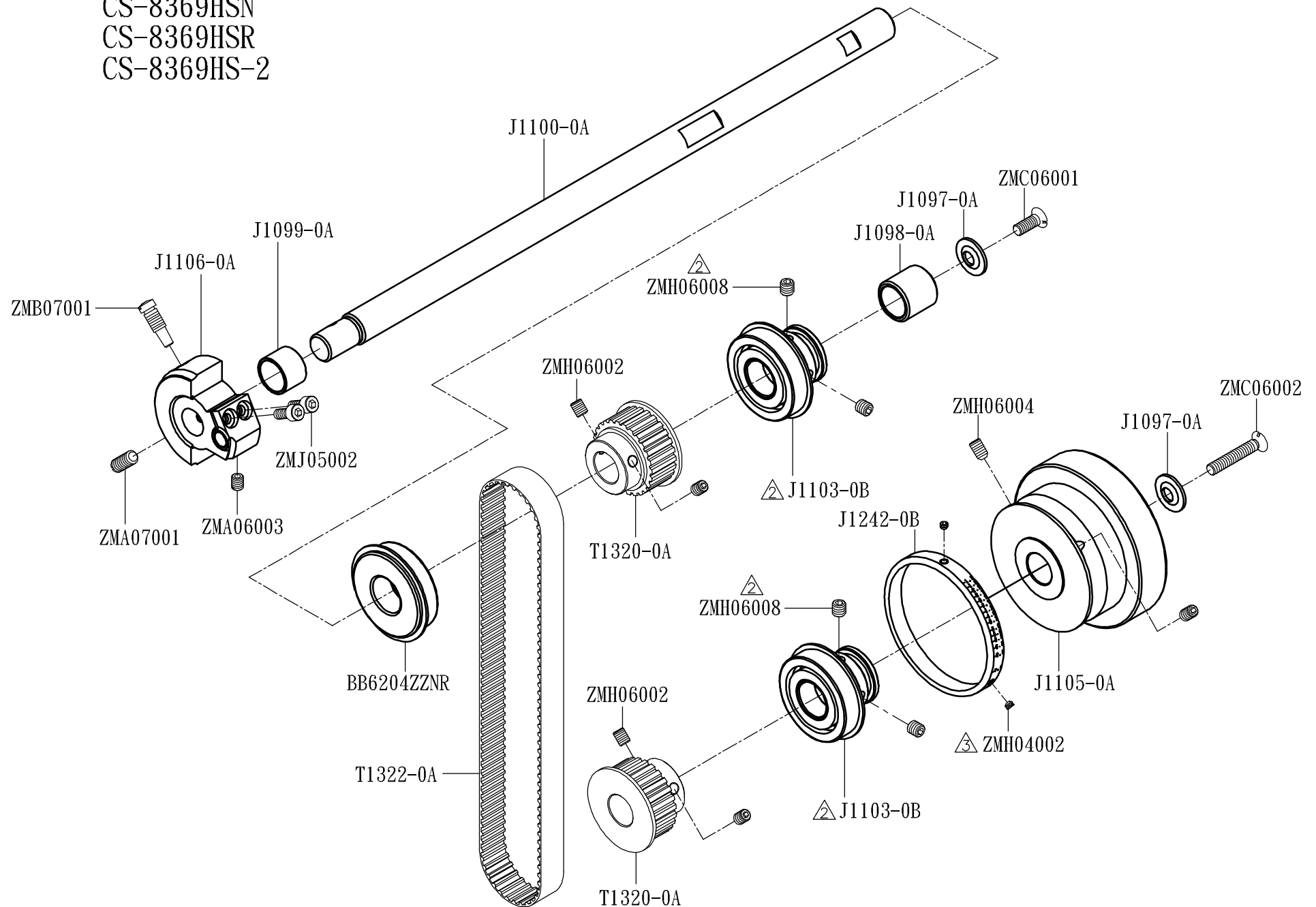
D. CS-8369HS/HR/HSN/HSR/HS-2 輪錢組機構 ROLLER PRESSER FOOT MECHANISM

| 零件號碼 Part No | 零件名稱 | Name of Part | 件數 Q, TY | | | | | 備註 Remarks |
|-----------------|---------|------------------------------|----------|----|-----|-----|------|---------------|
| | | | HS | HR | HSN | HSR | HS-2 | |
| BBW688ZZ | 滾珠軸承 | Ball Bearing | 2 | 2 | 2 | 2 | 2 | |
| J1213-0A | 輪錢組(小) | Roller Presser Asm. (Small) | 1 | 1 | 1 | 1 | 1 | |
| J1213-1A | 輪錢組(大) | Roller Presser Asm. (Large) | 1 | 1 | 1 | 1 | 1 | |
| J1213-3A | 輪錢組(中) | Roller Presser Asm. (Middle) | 1 | 1 | 1 | 1 | 1 | |
| J1510-0A | 齒輪 | Gear | 1 | 1 | 1 | 1 | 1 | |
| J1510-1A | 齒輪 | Gear | 1 | 1 | 1 | 1 | 1 | |
| J1510-3A | 齒輪 | Gear | 1 | 1 | 1 | 1 | 1 | |
| J1511-0A | 車輪 | Presser | 1 | 1 | 1 | 1 | 1 | |
| J1511-1A | 車輪 | Presser | 1 | 1 | 1 | 1 | 1 | |
| J1511-3A | 車輪 | Presser | 1 | 1 | 1 | 1 | 1 | |
| J1512-0A | 輪錢軸座(前) | Presser Shaft Seat (Front) | 1 | 1 | 1 | 1 | 1 | |
| J1513-0A | 輪錢軸座(後) | Presser Shaft Seat (Back) | 1 | 1 | 1 | 1 | 1 | |
| J1514-0A | 輪錢座 | Roller Presser Bracket | 1 | 1 | 1 | 1 | 1 | |
| J1514-1A | 輪錢座 | Roller Presser Bracket | 1 | 1 | 1 | 1 | 1 | |
| J1515-0A | 輪錢連接座 | Guide Seat | 1 | 1 | 1 | 1 | 1 | |
| J1515-1A | 輪錢連接座 | Guide Seat | 1 | 1 | 1 | 1 | 1 | |
| OBM00020 | 鋼珠 | Ball | 24 | 24 | 24 | 24 | 24 | |
| RA200160 | C型扣環 | C-ring | 1 | 1 | 1 | 1 | 1 | |
| RB300080 | C型扣環 | C-ring | 1 | 1 | 1 | 1 | 1 | |
| RC100085 | 止輪環 | Spring Washer | 1 | 1 | 1 | 1 | 1 | |
| WA029002 | 平墊圈 | Washer | 1 | 1 | 1 | 1 | 1 | |
| WA029003 | 平墊圈 | Washer | 1 | 1 | 1 | 1 | 1 | |
| WA029004 | 平墊圈 | Washer | 1 | 1 | 1 | 1 | 1 | |
| WA089015 | 平墊圈 | Washer | 1 | 1 | 1 | 1 | 1 | |
| YA025117 | 平行銷 | Pin | 1 | 1 | 1 | 1 | 1 | |
| ZMA02501 | 螺絲 | Screw (M2.5-0.45x2) | 3 | 3 | 3 | 3 | 3 | |
| ZMB04035 | 螺絲 | Screw (M4-0.7x8) | 1 | 1 | 1 | 1 | 1 | |
| ZMC02505 | 螺絲 | Screw (M2.5-0.45x4.8) | 3 | 3 | 3 | 3 | 3 | |
| ZMG02502 | 螺絲 | Screw (M2.5-0.45x5.7) | 1 | 1 | 1 | 1 | 1 | |

E. CS-8369HS/HR/HSN/HSR/HS-2 天秤機構 TAKE-UP LEVER MECHANISM

| 零件號碼 Part No | 零件名稱 | Name of Part | 件數 Q, TY | | | | | 備註 Remarks |
|-----------------|-------|---------------------------------|----------|----|-----|-----|------|---------------|
| | | | HS | HR | HSN | HSR | HS-2 | |
| BB-624ZZ | 滾珠軸承 | Ball Bearing | 1 | 1 | 1 | 1 | 1 | |
| BB-688ZZ | 滾珠軸承 | Ball Bearing | 2 | 2 | 2 | 2 | 2 | |
| BN071008 | 針狀軸承 | Needle Bearing | 2 | 2 | 2 | 2 | 2 | |
| BNFJ-1010W | 針狀軸承 | Needle Bearing | 1 | 1 | 1 | 1 | 1 | |
| J1060-0A | 天秤組 | Thread Take-up Asm. | 1 | 1 | 1 | 1 | 1 | |
| J1061-0A | 天秤固定銷 | Take-up Lever Support Stud | 1 | 1 | 1 | 1 | 1 | |
| J1064-0A | 天秤架 | Take-up Frame | 1 | 1 | 1 | 1 | 1 | |
| J1065-0A | 天秤桿 | Take-up Lever | 1 | 1 | 1 | 1 | 1 | |
| J1065-1A | 線道 | Bushing | 1 | 1 | 1 | 1 | 1 | |
| J1066-0A | 天秤曲柄 | Take-up Crank Pin | 1 | 1 | 1 | 1 | 1 | |
| J1067-0A | 針棒連接器 | Needle Bar Connecting Crank Rod | 1 | 1 | 1 | 1 | 1 | |
| J1068-0A | 定環 | Collar | 2 | 2 | 2 | 2 | 2 | |
| J1069-0A | 天秤軸套管 | Bushing | 1 | 1 | 1 | 1 | 1 | |
| J1074-0A | 針棒固定器 | Needle Bar Connecting Stud | 1 | 1 | 1 | 1 | 1 | |
| RB500080 | C扣環 | C-ring | 2 | 2 | 2 | 2 | 2 | |
| WA089005 | 平墊圈 | Washer | 1 | 1 | 1 | 1 | 1 | |
| ZMD04002 | 螺絲 | Screw (M4-0.7x13.5) | 1 | 1 | 1 | 1 | 1 | |
| ZMD05001 | 螺絲 | Screw (M5-0.8x10) | 1 | 1 | 1 | 1 | 1 | |
| ZMH05003 | 螺絲 | Screw (M5-0.8x8) | 3 | 3 | 3 | 3 | 3 | |

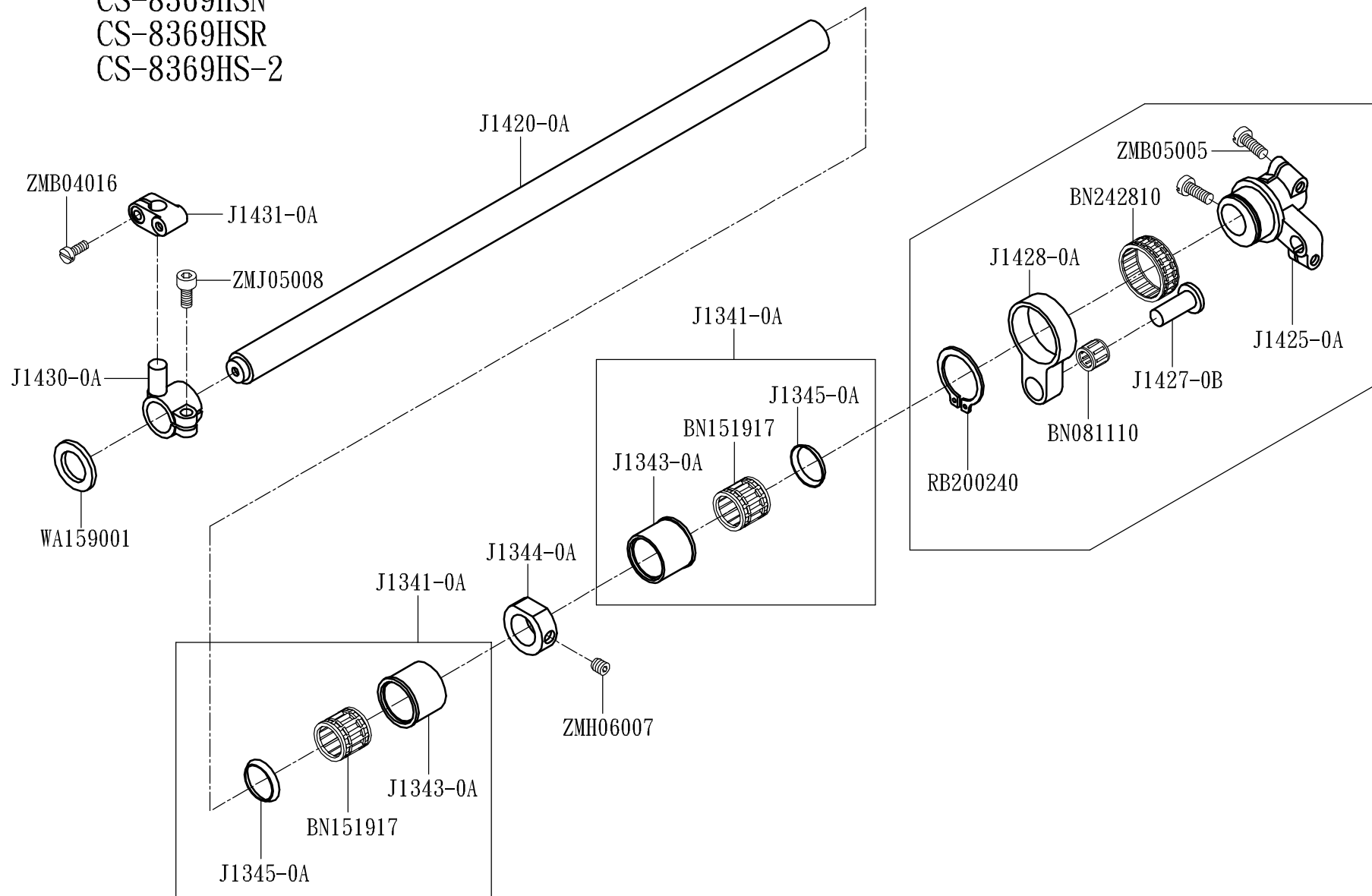
F. CS-8369HS 上軸、皮帶輪機構 UPPER SHAFT AND BALANCE WHEEL MECHANISM
 CS-8369HR
 CS-8369HSN
 CS-8369HSR
 CS-8369HS-2



F. CS-8369HS/HR/HSN/HSR/HS-2 上軸、皮帶輪機構 UPPER SHAFT AND BALANCE WHEEL MECHANISM

| 零件號碼 Part No | 零件名稱 | Name of Part | 件數 Q, TY | | | | | 備註 Remarks |
|-----------------|-------|----------------------|----------|----|-----|-----|------|---------------|
| | | | HS | HR | HSN | HSR | HS-2 | |
| BB6204ZZNR | 滾珠軸承 | Ball Bearing | 1 | 1 | 1 | 1 | 1 | |
| J1097-0A | 墊片 | Washer | 2 | 2 | 2 | 2 | 2 | |
| J1098-0A | 上軸套筒 | Bushing | 1 | 1 | 1 | 1 | 1 | |
| J1099-0A | 上軸套環 | Thrust Ring | 1 | 1 | 1 | 1 | 1 | |
| J1100-0A | 上軸 | Upper Shaft | 1 | 1 | 1 | 1 | 1 | |
| J1103-0B | 上軸套管 | Upper Shaft Bushing | 2 | 2 | 2 | 2 | 2 | |
| J1105-0A | 皮帶輪 | Pulley Blanca Wheel | 1 | 1 | 1 | 1 | 1 | |
| J1106-0A | 凸輪 | Crank Cam | 1 | 1 | 1 | 1 | 1 | |
| J1242-0B | 縫目指示環 | Feed Regulator Scale | 1 | 1 | 1 | 1 | 1 | |
| T1320-0A | 齒形皮帶輪 | Timing Belt Wheel | 2 | 2 | 2 | 2 | 2 | |
| T1322-0A | 齒形皮帶 | Timing Belt | 1 | 1 | 1 | 1 | 1 | |
| ZMA06003 | 螺絲 | Screw (M6-0.75x7) | 1 | 1 | 1 | 1 | 1 | |
| ZMA07001 | 螺絲 | Screw (M7-1.0x16.5) | 1 | 1 | 1 | 1 | 1 | |
| ZMB07001 | 螺絲 | Screw (M7-1.0x21) | 1 | 1 | 1 | 1 | 1 | |
| ZMC06001 | 螺絲 | Screw (M6-1.0x16) | 1 | 1 | 1 | 1 | 1 | |
| ZMC06002 | 螺絲 | Screw (M6-1.0x35) | 1 | 1 | 1 | 1 | 1 | |
| ZMH04002 | 螺絲 | Screw (M4-0.7x3) | 2 | 2 | 2 | 2 | 2 | |
| ZMH06002 | 螺絲 | Screw (M6-0.75x7.5) | 4 | 8 | 8 | 8 | 8 | |
| ZMH06004 | 螺絲 | Screw (M6-0.75x10) | 2 | 2 | 2 | 2 | 2 | |
| ZMH06008 | 螺絲 | Screw (M6-1.0x6) | 4 | 4 | 4 | 4 | 4 | |
| ZMJ05002 | 螺絲 | Screw (M5-0.8x12) | 2 | 2 | 2 | 2 | 2 | |

G. CS-8369HS 上邊心機構 UPPER SIDE SHAFT MECHANISM
 CS-8369HR
 CS-8369HSN
 CS-8369HSR
 CS-8369HS-2



G. CS-8369HS/HR/HSN/HSR/HS-2 上邊心機構 UPPER SIDE SHAFT MECHANISM

| 零件號碼 Part No | 零件名稱 | Name of Part | 件數 Q, TY | | | | | 備註 Remarks |
|-----------------|--------------|----------------------------|----------|----|-----|-----|------|---------------|
| | | | HS | HR | HSN | HSR | HS-2 | |
| BN081110 | 針狀軸承 ----- | Needle Bearing ----- | 1 | 1 | 1 | 1 | 1 | |
| BN151917 | 針狀軸承 ----- | Needle Bearing ----- | 2 | 2 | 2 | 2 | 2 | |
| BN242810 | 針狀軸承 ----- | Needle Bearing ----- | 1 | 1 | 1 | 1 | 1 | |
| J1341-0A | 軸套管 ----- | Bushing ----- | 2 | 2 | 2 | 2 | 2 | |
| J1343-0A | 套管 ----- | Bushing ----- | 2 | 2 | 2 | 2 | 2 | |
| J1344-0A | 定環 ----- | Collar ----- | 1 | 1 | 1 | 1 | 1 | |
| J1345-0A | 盤形墊圈 ----- | Washer ----- | 2 | 2 | 2 | 2 | 2 | |
| J1420-0A | 上邊心 ----- | Upper Side Shaft ----- | 1 | 1 | 1 | 1 | 1 | |
| J1425-0A | 小凸輪 ----- | Crank With Eccentric ----- | 1 | 1 | 1 | 1 | 1 | |
| J1427-0B | 固定銷(短) ----- | Pin ----- | 1 | 1 | 1 | 1 | 1 | |
| J1428-0A | 凸輪連桿 ----- | Eccentric With Rod ----- | 1 | 1 | 1 | 1 | 1 | |
| J1430-0A | 萬向聯結頭 ----- | Crank ----- | 1 | 1 | 1 | 1 | 1 | |
| J1431-0A | 萬向聯結座 ----- | Clamp ----- | 1 | 1 | 1 | 1 | 1 | |
| RB200240 | C形扣環 ----- | C-ring ----- | 1 | 1 | 1 | 1 | 1 | |
| WA159001 | 平墊圈 ----- | Washer ----- | 1 | 1 | 1 | 1 | 1 | |
| ZMB04016 | 螺絲 ----- | Screw (M4-0.7x10) ----- | 1 | 1 | 1 | 1 | 1 | |
| ZMB05005 | 螺絲 ----- | Screw (M5-0.8x13) ----- | 2 | 2 | 2 | 2 | 2 | |
| ZMH06007 | 螺絲 ----- | Screw (M6-0.75x5) ----- | 1 | 1 | 1 | 1 | 1 | |
| ZMJ05008 | 螺絲 ----- | Screw (M5-0.8x10) ----- | 1 | 1 | 1 | 1 | 1 | |

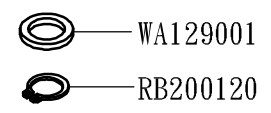
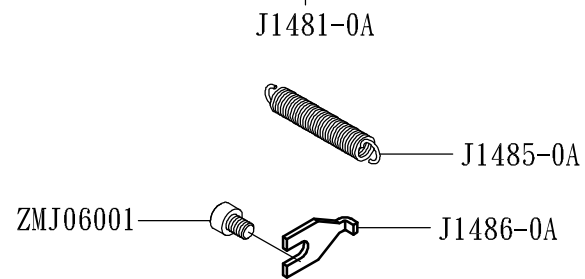
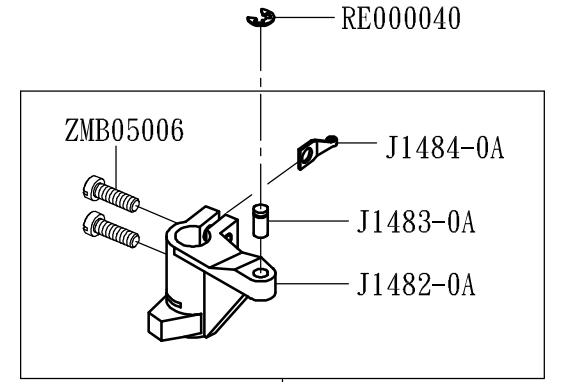
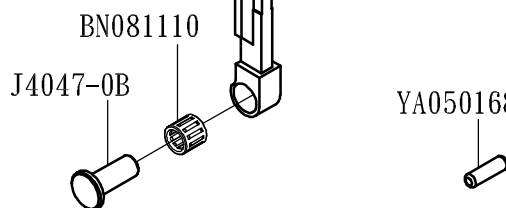
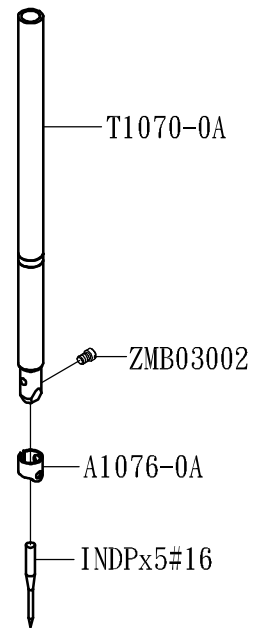
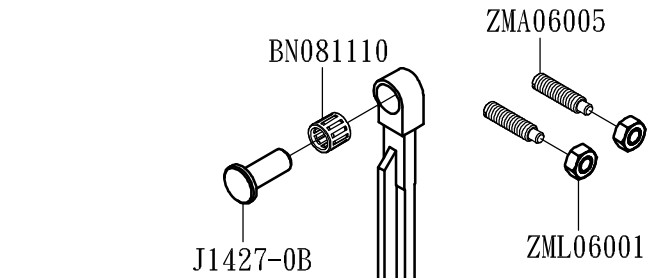
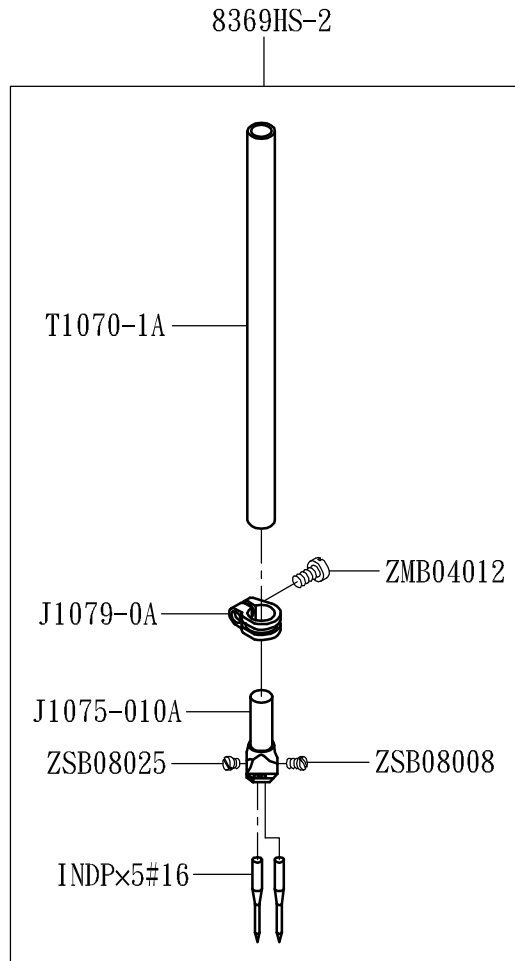
H. CS-8369HS 針棒機構 NEEDLE BAR MECHANISM

CS-8369HR

CS-8369HSN

CS-8369HSR

CS-8369HS-2



H. CS-8369HS/HR/HSN/HSR/HS-2 針棒機構 NEEDLE BAR MECHANISM

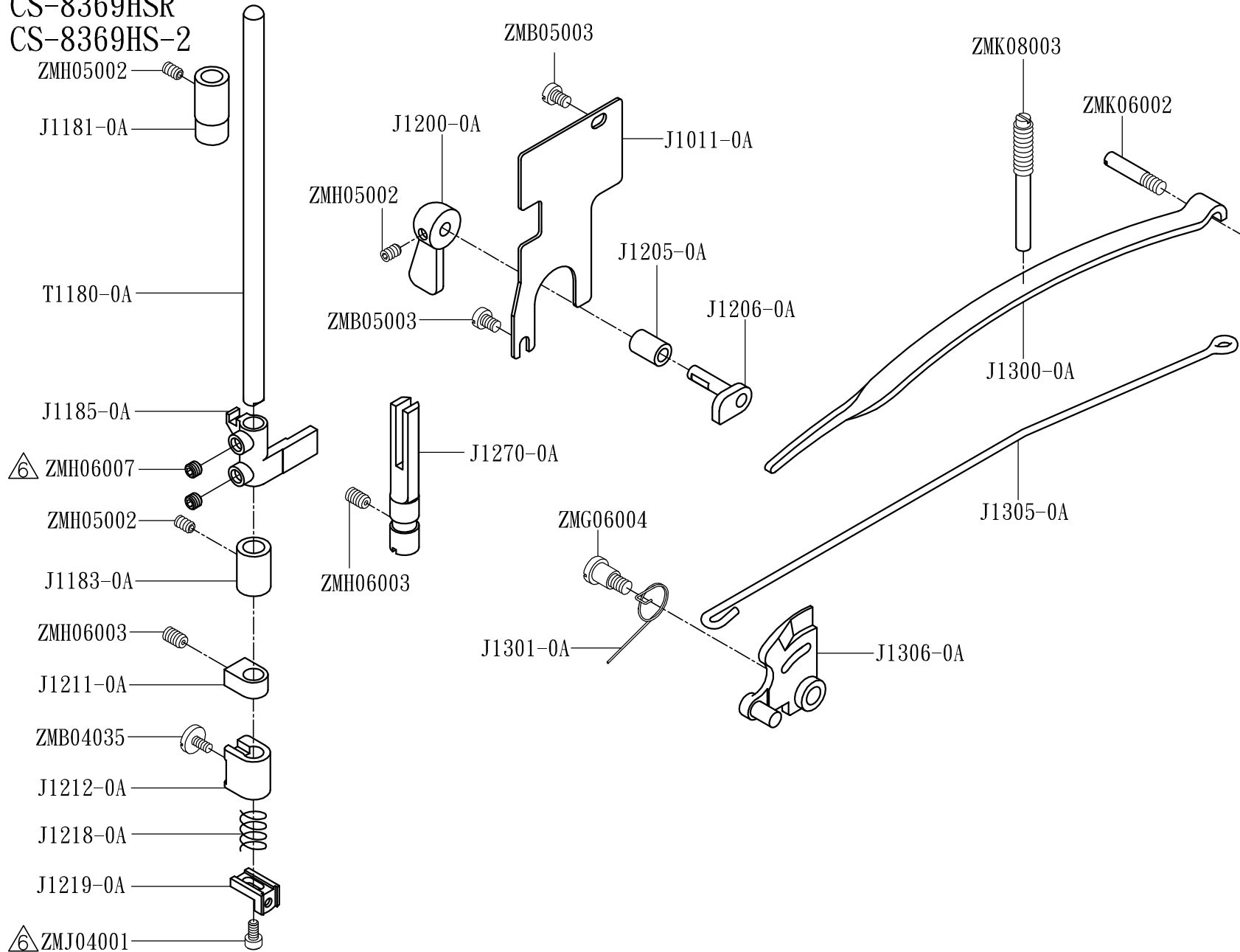
| 零件號碼 Part No | 零件名稱 | Name of Part | 件數 Q, TY | | | | | 備註 Remarks |
|-----------------|---------|-------------------|----------|----|-----|-----|------|---------------|
| | | | HS | HR | HSN | HSR | HS-2 | |
| 83692711H3 | 連桿 | Connecting Rod | 1 | 1 | 1 | 1 | 1 | |
| 83693430H2 | 腳押動軸 | Shaft | 1 | 1 | 1 | 1 | 1 | |
| A1076-0A | 針棒線掛 | Thread Guide | 1 | 1 | 1 | 1 | 0 | |
| BN081110 | 針狀軸承 | Needle Bearing | 2 | 2 | 2 | 2 | 2 | |
| INDPx5#16 | 針 | Needle | 1 | 1 | 1 | 1 | 2 | |
| J1075-010A | 針鑷 | Needle Holder | 0 | 0 | 0 | 0 | 1 | |
| J1079-0A | 針棒套夾 | Ring Clamp | 0 | 0 | 0 | 0 | 1 | |
| J1427-0B | 固定銷(短) | Pin | 1 | 1 | 1 | 1 | 1 | |
| J1481-0A | 腳弓調整鈕頭組 | Crank Asm. | 1 | 1 | 1 | 1 | 1 | |
| J1482-0A | 上下輸送臂 | Crank | 1 | 1 | 1 | 1 | 1 | |
| J1483-0A | 彈簧固定銷 | Pin | 1 | 1 | 1 | 1 | 1 | |
| J1484-0A | 彈簧固定板 | Bracket | 1 | 1 | 1 | 1 | 1 | |
| J1485-0A | 拉伸彈簧 | Spring | 1 | 1 | 1 | 1 | 1 | |
| J1486-0A | 彈簧固定板 | Spring Plate | 1 | 1 | 1 | 1 | 1 | |
| J4047-0B | 固定銷(長) | Pin | 1 | 1 | 1 | 1 | 1 | |
| RB200120 | C形扣環 | C-ring | 1 | 1 | 1 | 1 | 1 | |
| RE000040 | E形扣環 | E-ring | 1 | 1 | 1 | 1 | 1 | |
| T1070-0A | 針棒 | Needle Bar | 1 | 1 | 1 | 1 | 0 | |
| T1070-1A | 針棒 | Needle Bar | 0 | 0 | 0 | 0 | 1 | |
| WA129001 | 平墊圈 | Washer | 1 | 1 | 1 | 1 | 1 | |
| YA050168 | 平行銷 | Pin | 1 | 1 | 1 | 1 | 1 | |
| ZMA06005 | 螺絲 | Screw (M6-1.0x25) | 2 | 2 | 2 | 2 | 2 | |
| ZMB03002 | 螺絲 | Screw (M3-0.5x4) | 1 | 1 | 1 | 1 | 1 | |
| ZMB04012 | 螺絲 | Screw (M4-0.7x8) | 0 | 0 | 0 | 0 | 1 | |
| ZMB05006 | 螺絲 | Screw (M5-0.8x16) | 2 | 2 | 2 | 2 | 2 | |
| ZMJ06001 | 螺絲 | Screw (M6-1.0x8) | 1 | 1 | 1 | 1 | 1 | |
| ZML06001 | 螺帽 | Nut | 2 | 2 | 2 | 2 | 2 | |
| ZSB08008 | 螺絲 | Screw (1/8-44x4) | 0 | 0 | 0 | 0 | 1 | |
| ZSB08025 | 螺絲 | Screw (1/8-44x3) | 0 | 0 | 0 | 0 | 1 | |

I. CS-8369HS/HR/HSN/HSR/HS-2 針棒搖擺機構 NEEDLE BAR ROCKING MECHANISM

| 零件號碼 Part No | 零件名稱 | Name of Part | 件數 Q, TY | | | | | 備註 Remarks |
|-----------------|---------|----------------------------------|----------|----|-----|-----|------|---------------|
| | | | HS | HR | HSN | HSR | HS-2 | |
| BN151917 | 針狀軸承 | Needle Bearing | 2 | 2 | 2 | 2 | 2 | |
| J1073-0A | 針棒套管 | Needle Bar Bushing | 1 | 1 | 1 | 1 | 1 | |
| J1081-0A | 針棒連接器導槽 | Needle Bar Connecting Link Guide | 1 | 1 | 1 | 1 | 1 | |
| J1082-0A | 針棒導引滑塊 | Needle Bar Guide Slide Block | 1 | 1 | 1 | 1 | 1 | |
| J1090-0A | 針棒座 | Needle Bar Support Frame | 1 | 1 | 1 | 1 | 1 | |
| J1093-0A | 油棉壓板 | Holder | 2 | 2 | 2 | 2 | 2 | |
| J1335-0A | 針送支臂 | Crank | 3 | 3 | 3 | 3 | 3 | |
| J1340-0A | 針送主軸 | Needle Bar Shaft | 1 | 1 | 1 | 1 | 1 | |
| J1341-0A | 軸套管 | Bushing | 1 | 1 | 1 | 1 | 1 | |
| J1341-1A | 軸套管 | Bushing | 1 | 1 | 1 | 1 | 1 | |
| J1343-0A | 套管 | Bushing | 1 | 1 | 1 | 1 | 1 | |
| J1343-1A | 套管 | Bushing | 1 | 1 | 1 | 1 | 1 | |
| J1344-0A | 定環 | Collar | 1 | 1 | 1 | 1 | 1 | |
| J1345-0A | 盤形墊圈 | Washer | 2 | 2 | 2 | 2 | 2 | |
| XB110002 | 油棉 | Oil Felt | 1 | 1 | 1 | 1 | 1 | |
| XB314001 | 油棉 | Oil Felt | 1 | 1 | 1 | 1 | 1 | |
| XB400002 | 油棉 | Oil Felt | 1 | 1 | 1 | 1 | 1 | |
| YB040025 | 推拔銷 | Taper Pin | 1 | 1 | 1 | 1 | 1 | |
| ZMB04006 | 螺絲 | Screw (M4-0.7x4.5) | 2 | 2 | 2 | 2 | 2 | |
| ZMB04009 | 螺絲 | Screw (M4-0.7x6) | 2 | 2 | 2 | 2 | 2 | |
| ZMB05005 | 螺絲 | Screw (M5-0.8x13) | 1 | 1 | 1 | 1 | 1 | |
| ZMB06003 | 螺絲 | Screw (M6-1.0x16) | 1 | 1 | 1 | 1 | 1 | |
| ZMH06007 | 螺絲 | Screw (M6-0.75x5) | 1 | 1 | 1 | 1 | 1 | |

J. CS-8369HS 押棒機構 PRESSER FOOT BAR MECHANISM

CS-8369HR
 CS-8369HSN
 CS-8369HSR
 CS-8369HS-2



J. CS-8369HS/HR/HSN/HSR/HS-2 押棒機構 PRESSER FOOT BAR MECHANISM

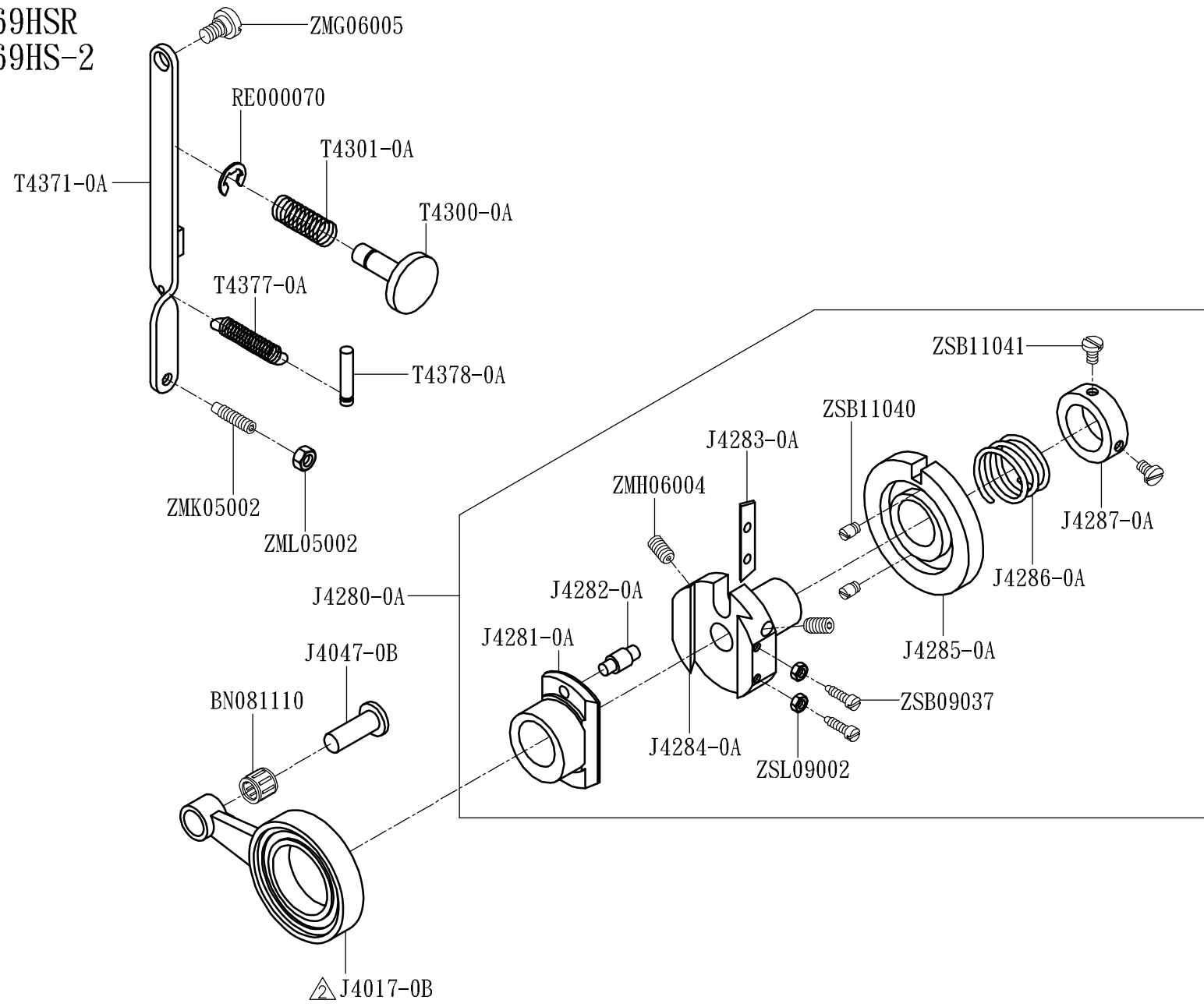
| 零件號碼 Part No | 零件名稱 | Name of Part | 件數 Q, TY | | | | | 備註 Remarks |
|-----------------|---------------|------------------------------------|----------|----|-----|-----|------|---------------|
| | | | HS | HR | HSN | HSR | HS-2 | |
| J1011-0A | 小防砂板 ----- | Cover ----- | 1 | 1 | 1 | 1 | 1 | |
| J1181-0A | 押棒套管(上) ----- | Presser Bar Bushing (Upper) ----- | 1 | 1 | 1 | 1 | 1 | |
| J1183-0A | 押棒套管(下) ----- | Presser Bar Bushing (Lower) ----- | 1 | 1 | 1 | 1 | 1 | |
| J1185-0A | 壓棒固定座 ----- | Presser Bar Holder ----- | 1 | 1 | 1 | 1 | 1 | |
| J1200-0A | 壓棒提桿 ----- | Presser Foot Lifter ----- | 1 | 1 | 1 | 1 | 1 | |
| J1205-0A | 壓棒提桿套管 ----- | Bushing ----- | 1 | 1 | 1 | 1 | 1 | |
| J1206-0A | 壓棒提桿軸 ----- | Cam Shaft ----- | 1 | 1 | 1 | 1 | 1 | |
| J1211-0A | 輪錢上座 ----- | Roller Presser Holder ----- | 1 | 1 | 1 | 1 | 1 | |
| J1212-0A | 輪錢下座 ----- | Roller Presser Holder ----- | 1 | 1 | 1 | 1 | 1 | |
| J1218-0A | 彈簧 ----- | Spring ----- | 1 | 1 | 1 | 1 | 1 | |
| J1219-0A | 頂針座 ----- | Angle ----- | 1 | 1 | 1 | 1 | 1 | |
| J1270-0A | 軌導棒 ----- | Stud ----- | 1 | 1 | 1 | 1 | 1 | |
| J1300-0A | 彈片壓板 ----- | Presser Plate Spring ----- | 1 | 1 | 1 | 1 | 1 | |
| J1301-0A | 彈簧 ----- | Spring ----- | 1 | 1 | 1 | 1 | 1 | |
| J1305-0A | 腳弓連接槓桿 ----- | Knee Lifter Connecting Lever ----- | 1 | 1 | 1 | 1 | 1 | |
| J1306-0A | 沙拉心座組 ----- | Lifting Lever Asm. ----- | 1 | 1 | 1 | 1 | 1 | |
| T1180-0A | 押棒 ----- | Presser Bar ----- | 1 | 1 | 1 | 1 | 1 | |
| ZMB04035 | 螺絲 ----- | Screw (M4-0.7x8) ----- | 1 | 1 | 1 | 1 | 1 | |
| ZMB05003 | 螺絲 ----- | Screw (M5-0.8x7) ----- | 2 | 2 | 2 | 2 | 2 | |
| ZMG06004 | 螺絲 ----- | Screw (M6-1.0) ----- | 1 | 1 | 1 | 1 | 1 | |
| ZMH05002 | 螺絲 ----- | Screw (M5-0.8x6) ----- | 3 | 3 | 3 | 3 | 3 | |
| ZMH06003 | 螺絲 ----- | Screw (M6-1.0x8) ----- | 2 | 2 | 2 | 2 | 2 | |
| ZMH06007 | 螺絲 ----- | Screw (M6-0.75x5) ----- | 2 | 2 | 2 | 2 | 2 | |
| ZMJ04001 | 螺絲 ----- | Screw (M4-0.7x8) ----- | 1 | 1 | 1 | 1 | 1 | |
| ZMK06002 | 螺絲 ----- | Screw (M6-1.0) ----- | 1 | 1 | 1 | 1 | 1 | |
| ZMK08003 | 螺絲 ----- | Screw (M8-0.75) ----- | 1 | 1 | 1 | 1 | 1 | |

K. CS-8369HS/HR/HSN/HSR/HS-2 皮帶傳動機構 TIMING BELT DRIVING MECHANISM

| 零件號碼 Part No | 零件名稱 | Name of Part | 件數 Q, TY | | | | | 備註 Remarks |
|-----------------|---------------|---------------------------|----------|----|-----|-----|------|---------------|
| | | | HS | HR | HSN | HSR | HS-2 | |
| 83691310H2 | 齒形皮帶 ----- | Timing Belt ----- | 1 | 1 | 1 | 1 | 1 | |
| 83691315M4 | 惰輪座(套) ----- | Idler Base Asm. ----- | 1 | 1 | 1 | 1 | 1 | |
| 83691315M5 | 惰輪座(結合) ----- | Idler Base Com. ----- | 1 | 1 | 1 | 1 | 1 | |
| 8370131700 | 惰輪 ----- | Idler ----- | 1 | 1 | 1 | 1 | 1 | |
| 8370131704 | 惰輪(結合) ----- | Idler Com. ----- | 1 | 1 | 1 | 1 | 1 | |
| BB6000ZZ | 滾珠軸承 ----- | Ball Bearing ----- | 1 | 1 | 1 | 1 | 1 | |
| BB6203ZZNR | 滾珠軸承 ----- | Ball Bearing ----- | 1 | 2 | 2 | 2 | 2 | |
| J3010-0A | 皮帶輪軸 ----- | Shaft ----- | 1 | 1 | 1 | 1 | 1 | |
| J3030-0A | 保護蓋 ----- | Plug ----- | 2 | 2 | 2 | 2 | 2 | |
| J4321-0B | 軸承套管(左) ----- | Collar (Left) ----- | 1 | 1 | 1 | 1 | 1 | |
| J4323-0B | 軸承套管(右) ----- | Collar (Right) ----- | 1 | 1 | 1 | 1 | 1 | |
| RB200170 | C扣環 ----- | C-ring ----- | 1 | 1 | 1 | 1 | 1 | |
| T1320-0A | 齒形皮帶輪 ----- | Timing Belt Wheel ----- | 1 | 1 | 1 | 1 | 1 | |
| T4130-0A | 齒形皮帶輪 ----- | Timing Belt Wheel ----- | 1 | 1 | 1 | 1 | 1 | |
| WA069001 | 平墊圈 ----- | Washer ----- | 4 | 4 | 4 | 4 | 4 | |
| ZMA05002 | 螺絲 ----- | Screw (M5-0.8x4.5) ----- | 4 | 4 | 4 | 4 | 4 | |
| ZMH06002 | 螺絲 ----- | Screw (M6-0.75x7.5) ----- | 2 | 2 | 2 | 2 | 2 | |
| ZMH06004 | 螺絲 ----- | Screw (M6-0.75x10) ----- | 2 | 2 | 2 | 2 | 2 | |
| ZSD15007 | 螺絲 ----- | Screw (15/64-28x14) ----- | 4 | 4 | 4 | 4 | 4 | |

L. CS-8369HS 縫目調整機構 STITCH REGULATOR MECHANISM

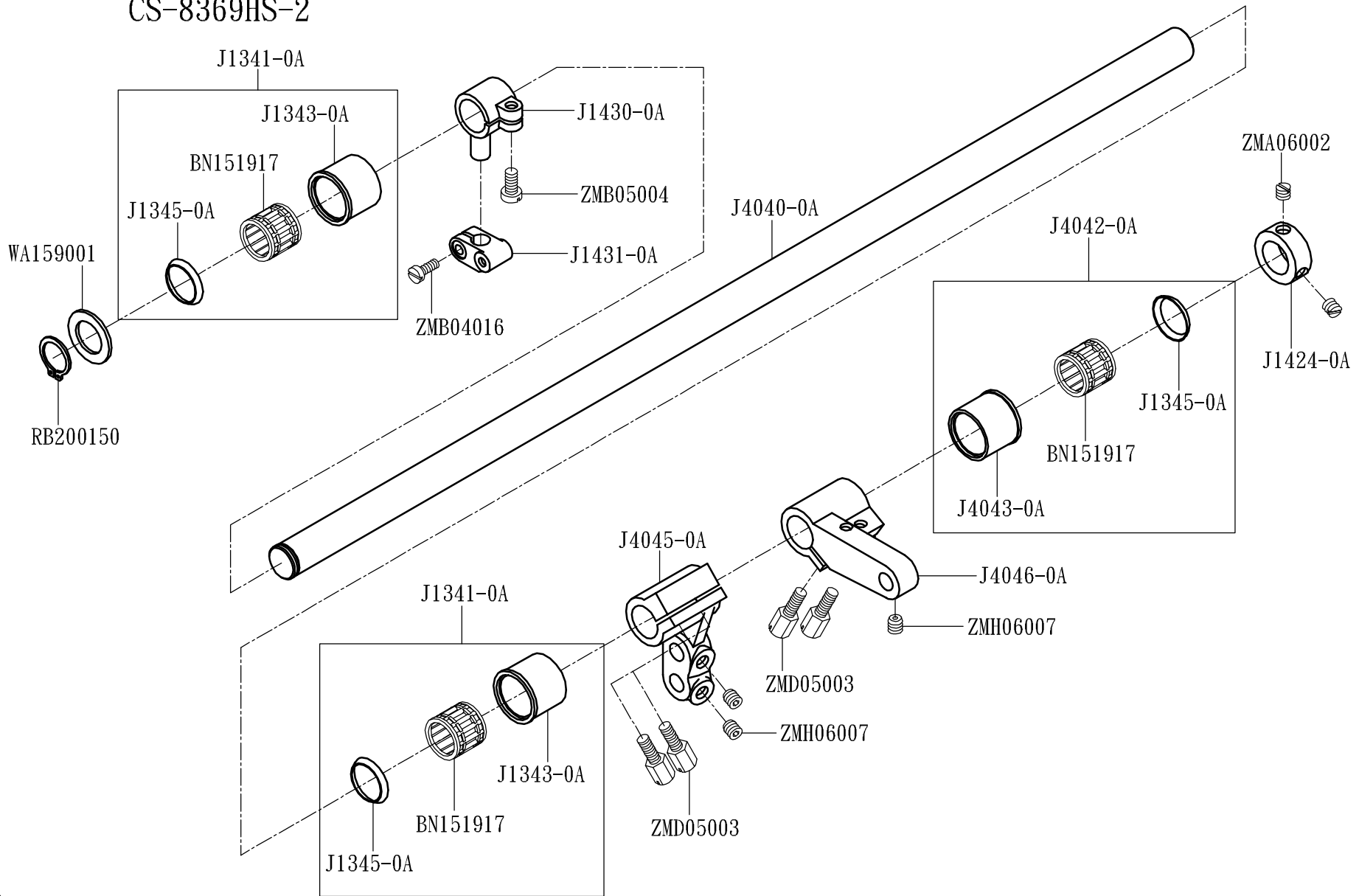
CS-8369HR
 CS-8369HSN
 CS-8369HSR
 CS-8369HS-2



L. CS-8369HS/HR/HSN/HSR/HS-2 縫目調整機構 STITCH REGULATOR MECHANISM

| 零件號碼 Part No | 零件名稱 | Name of Part | 件數 Q, TY | | | | | 備註 Remarks |
|-----------------|---------|----------------------------|----------|----|-----|-----|------|---------------|
| | | | HS | HR | HSN | HSR | HS-2 | |
| BN081110 | 針狀軸承 | Needle Bearing | 1 | 1 | 1 | 1 | 1 | |
| J4017-0B | 連桿 | Connecting Rod | 1 | 1 | 1 | 1 | 1 | |
| J4047-0B | 固定銷(長) | Bearing Stud | 1 | 1 | 1 | 1 | 1 | |
| J4280-0A | 凸輪組 | Cam Assy. | 1 | 1 | 1 | 1 | 1 | |
| J4281-0A | 縫目調整座 | Stitch Regulating Seat | 1 | 1 | 1 | 1 | 1 | |
| J4282-0A | 偏心調整支軸 | Feed Adjusting Screw | 1 | 1 | 1 | 1 | 1 | |
| J4283-0A | 迫緊片 | Friction Plate | 1 | 1 | 1 | 1 | 1 | |
| J4284-0A | 縫目調整固定座 | Stitch Regulation Fix Seat | 1 | 1 | 1 | 1 | 1 | |
| J4285-0A | 縫目調整偏心輪 | Eccentric Wheel | 1 | 1 | 1 | 1 | 1 | |
| J4286-0A | 彈簧 | Spring | 1 | 1 | 1 | 1 | 1 | |
| J4287-0A | 套環 | Collar | 1 | 1 | 1 | 1 | 1 | |
| RE000070 | E形扣環 | E-ring | 1 | 1 | 1 | 1 | 1 | |
| T4300-0A | 銷 | Pin | 1 | 1 | 1 | 1 | 1 | |
| T4301-0A | 彈簧 | Spring | 1 | 1 | 1 | 1 | 1 | |
| T4371-0A | 送料調節板 | Feed Adjusting Plate | 1 | 1 | 1 | 1 | 1 | |
| T4377-0A | 彈簧 | Spring | 1 | 1 | 1 | 1 | 1 | |
| T4378-0A | 彈簧固定銷 | Pin | 1 | 1 | 1 | 1 | 1 | |
| ZMG06005 | 螺絲 | Screw (M-1.0) | 1 | 1 | 1 | 1 | 1 | |
| ZMH06004 | 螺絲 | Screw (M-0.75x10) | 2 | 2 | 2 | 2 | 2 | |
| ZMK05002 | 螺絲 | Screw (M5-0.8) | 1 | 1 | 1 | 1 | 1 | |
| ZML05002 | 螺帽 | Nut | 1 | 1 | 1 | 1 | 1 | |
| ZSB09037 | 螺絲 | Screw (9/64-40x12) | 2 | 2 | 2 | 2 | 2 | |
| ZSB11040 | 螺絲 | Screw (11/64-40x2.5) | 1 | 1 | 1 | 1 | 1 | |
| ZSB11041 | 螺絲 | Screw (11/64-40x7) | 2 | 2 | 2 | 2 | 2 | |
| ZSL09002 | 螺帽 | Nut | 2 | 2 | 2 | 2 | 2 | |

M. CS-8369HS 輸送軸機構 FEED SHAFT MECHANISM
 CS-8369HR
 CS-8369HSN
 CS-8369HSR
 CS-8369HS-2



M. CS-8369HS/HR/HSN/HSR/HS-2 輸送軸機構 FEED SHAFT MECHANISM

| 零件號碼 Part No | 零件名稱 | Name of Part | 件數 Q, TY | | | | | 備註 Remarks |
|-----------------|--------|---------------------|----------|----|-----|-----|------|---------------|
| | | | HS | HR | HSN | HSR | HS-2 | |
| BN151917 | 針狀軸承 | Needle Bearing | 3 | 3 | 3 | 3 | 3 | |
| J1341-0A | 軸套管 | Bushing | 2 | 2 | 2 | 2 | 2 | |
| J1343-0A | 套管 | Bushing | 2 | 2 | 2 | 2 | 2 | |
| J1345-0A | 盤形墊圈 | Washer | 3 | 3 | 3 | 3 | 3 | |
| J1424-0A | 上邊心定環 | Collar | 1 | 1 | 1 | 1 | 1 | |
| J1430-0A | 萬向聯結頭 | Crank | 1 | 1 | 1 | 1 | 1 | |
| J1431-0A | 萬向聯結座 | Clamp | 1 | 1 | 1 | 1 | 1 | |
| J4040-0A | 輸送主軸 | Shaft | 1 | 1 | 1 | 1 | 1 | |
| J4042-0A | 輸送軸套管 | Bushing | 1 | 1 | 1 | 1 | 1 | |
| J4043-0A | 套管 | Bushing | 1 | 1 | 1 | 1 | 1 | |
| J4045-0A | 單向輸送支臂 | Crank | 1 | 1 | 1 | 1 | 1 | |
| J4046-0A | 單向輸送支臂 | Crank | 1 | 1 | 1 | 1 | 1 | |
| RB200150 | C形扣環 | C-ring | 1 | 1 | 1 | 1 | 1 | |
| WA159001 | 平墊圈 | Washer | 1 | 1 | 1 | 1 | 1 | |
| ZMA06002 | 螺絲 | Screw (M6-0.75x4.5) | 2 | 2 | 2 | 2 | 2 | |
| ZMB04016 | 螺絲 | Screw (M4-0.7x10) | 1 | 1 | 1 | 1 | 1 | |
| ZMB05004 | 螺絲 | Screw (M5-0.8x10) | 1 | 1 | 1 | 1 | 1 | |
| ZMD05003 | 螺絲 | Screw (M5-0.8x12.5) | 4 | 4 | 4 | 4 | 4 | |
| ZMH06007 | 螺絲 | Screw (M6-0.75x5) | 2 | 2 | 2 | 2 | 2 | |

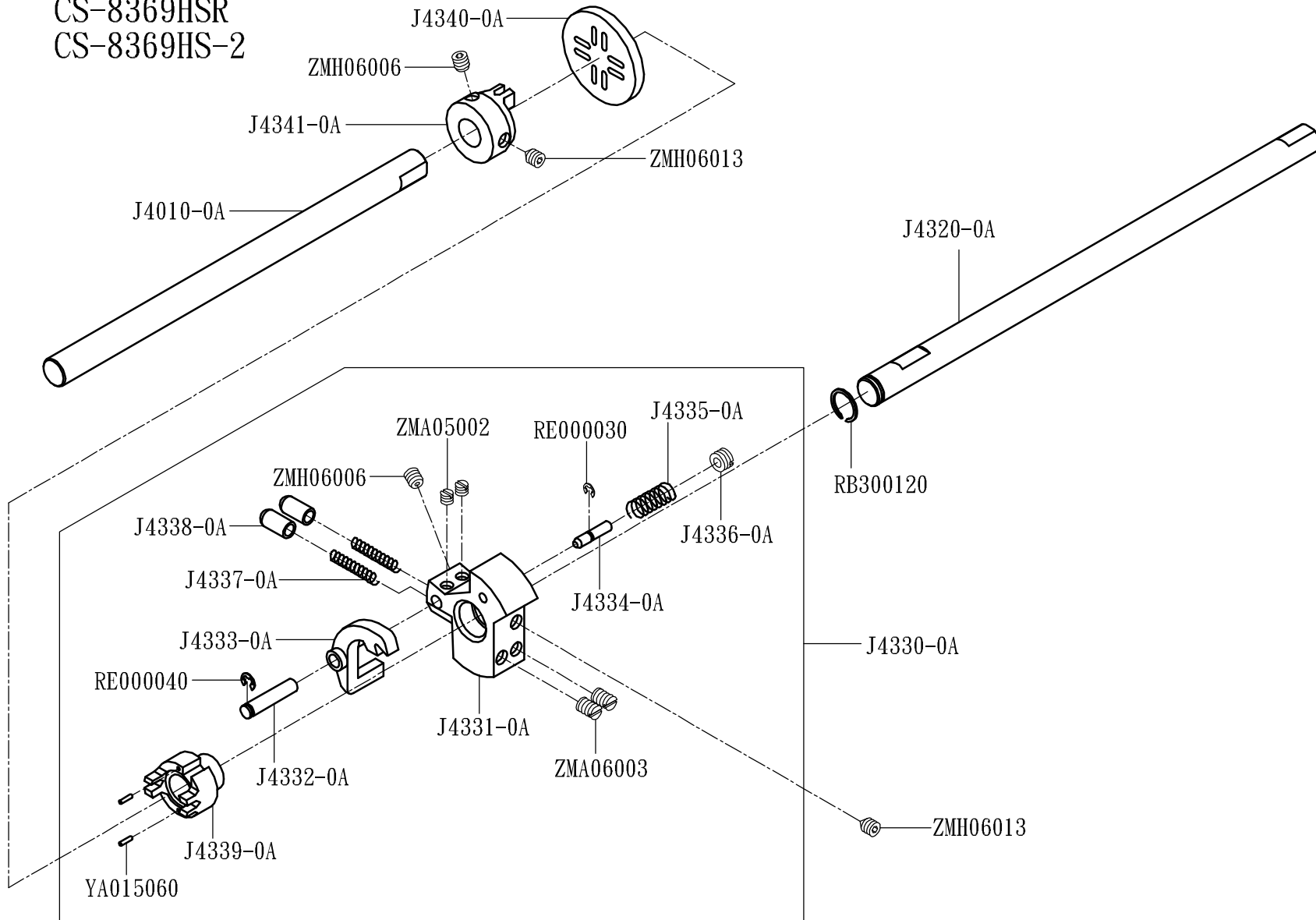
N. CS-8369HS 離合器組機構 CLUTCH SET MECHANISM

CS-8369HR

CS-8369HSN

CS-8369HSR

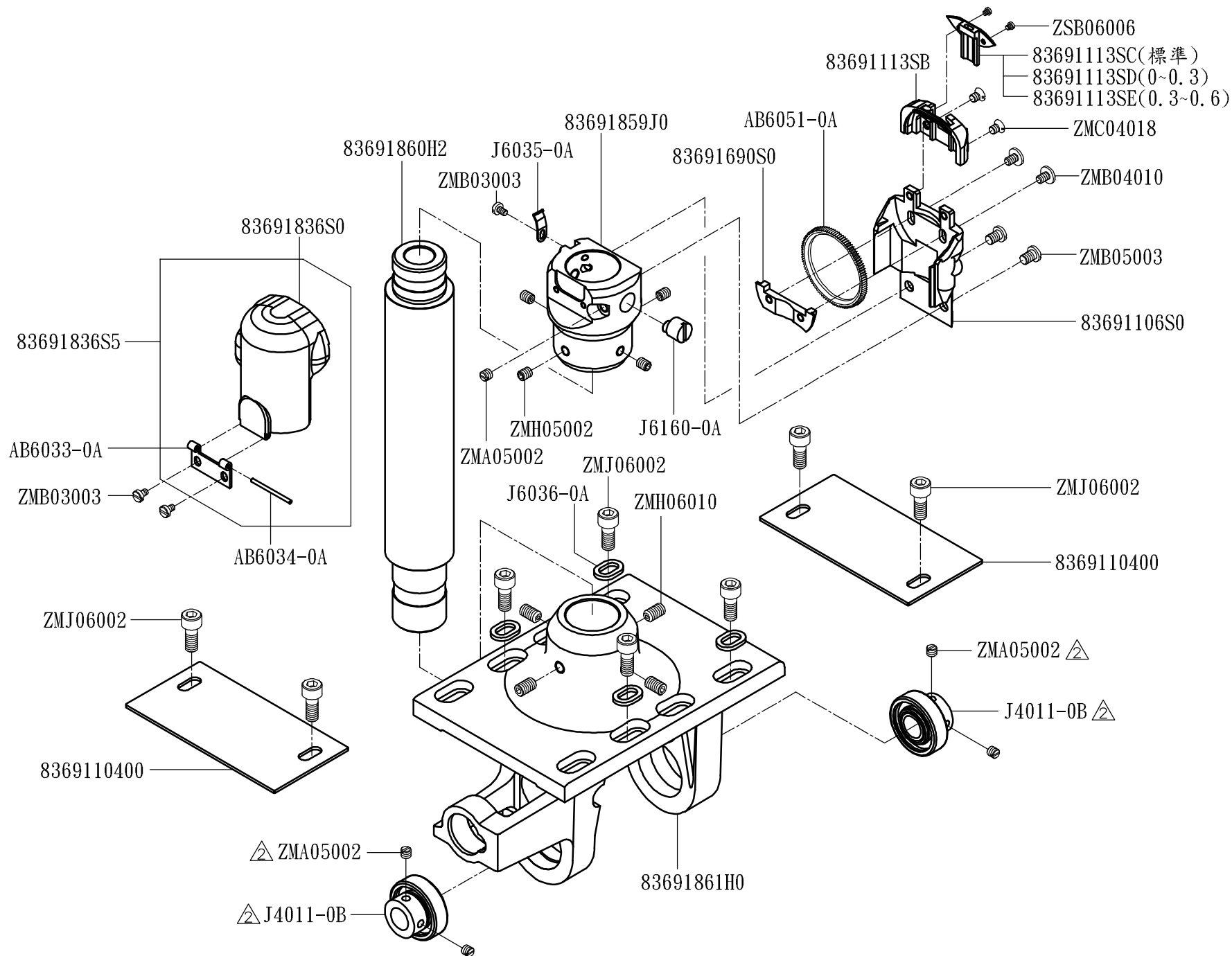
CS-8369HS-2



N. CS-8369HS/HR/HSN/HSR/HS-2 離合器組機構 CLUTCH SET MECHANISM

| 零件號碼 Part No | 零件名稱 | Name of Part | 件數 Q, TY | | | | | 備註 Remarks |
|-----------------|----------|--------------------|----------|----|-----|-----|------|---------------|
| | | | HS | HR | HSN | HSR | HS-2 | |
| J4010-0A | 萬向聯結軸(短) | Shaft | 1 | 1 | 1 | 1 | 1 | |
| J4320-0A | 萬向聯結軸 | Shaft | 1 | 1 | 1 | 1 | 1 | |
| J4330-0A | 離合器組 | Safety Clutch | 1 | 1 | 1 | 1 | 1 | |
| J4331-0A | 離合器座 | Safety Clutch Seat | 1 | 1 | 1 | 1 | 1 | |
| J4332-0A | 固定座 | Hinge Stud | 1 | 1 | 1 | 1 | 1 | |
| J4333-0A | 離合器爪 | Latch | 1 | 1 | 1 | 1 | 1 | |
| J4334-0A | 固定銷 | Drop-In Pin | 1 | 1 | 1 | 1 | 1 | |
| J4335-0A | 壓縮彈簧 | Spring | 1 | 1 | 1 | 1 | 1 | |
| J4336-0A | 固定螺絲 | Ring | 1 | 1 | 1 | 1 | 1 | |
| J4337-0A | 彈簧 | Spring | 2 | 2 | 2 | 2 | 2 | |
| J4338-0A | 彈簧固定套 | Stud | 2 | 2 | 2 | 2 | 2 | |
| J4339-0A | 軸連器(右) | Coupler (Right) | 1 | 1 | 1 | 1 | 1 | |
| J4340-0A | 連接板 | Connecting Plate | 1 | 1 | 1 | 1 | 1 | |
| J4341-0A | 軸連器(左) | Coupler (Left) | 1 | 1 | 1 | 1 | 1 | |
| RB300120 | C形扣環 | C-ring | 1 | 1 | 1 | 1 | 1 | |
| RE000030 | E形扣環 | E-ring | 1 | 1 | 1 | 1 | 1 | |
| RE000040 | E形扣環 | E-ring | 1 | 1 | 1 | 1 | 1 | |
| YA015060 | 平行銷 | Pin | 2 | 2 | 2 | 2 | 2 | |
| ZMA05002 | 螺絲 | Screw (M5-0.8x4.5) | 2 | 2 | 2 | 2 | 2 | |
| ZMA06003 | 螺絲 | Screw (M6-0.75x7) | 2 | 2 | 2 | 2 | 2 | |
| ZMH06006 | 螺絲 | Screw (M6-0.75x6) | 3 | 3 | 3 | 3 | 3 | |
| ZMH06013 | 螺絲 | Screw (M6-0.75x8) | 2 | 2 | 2 | 2 | 2 | |

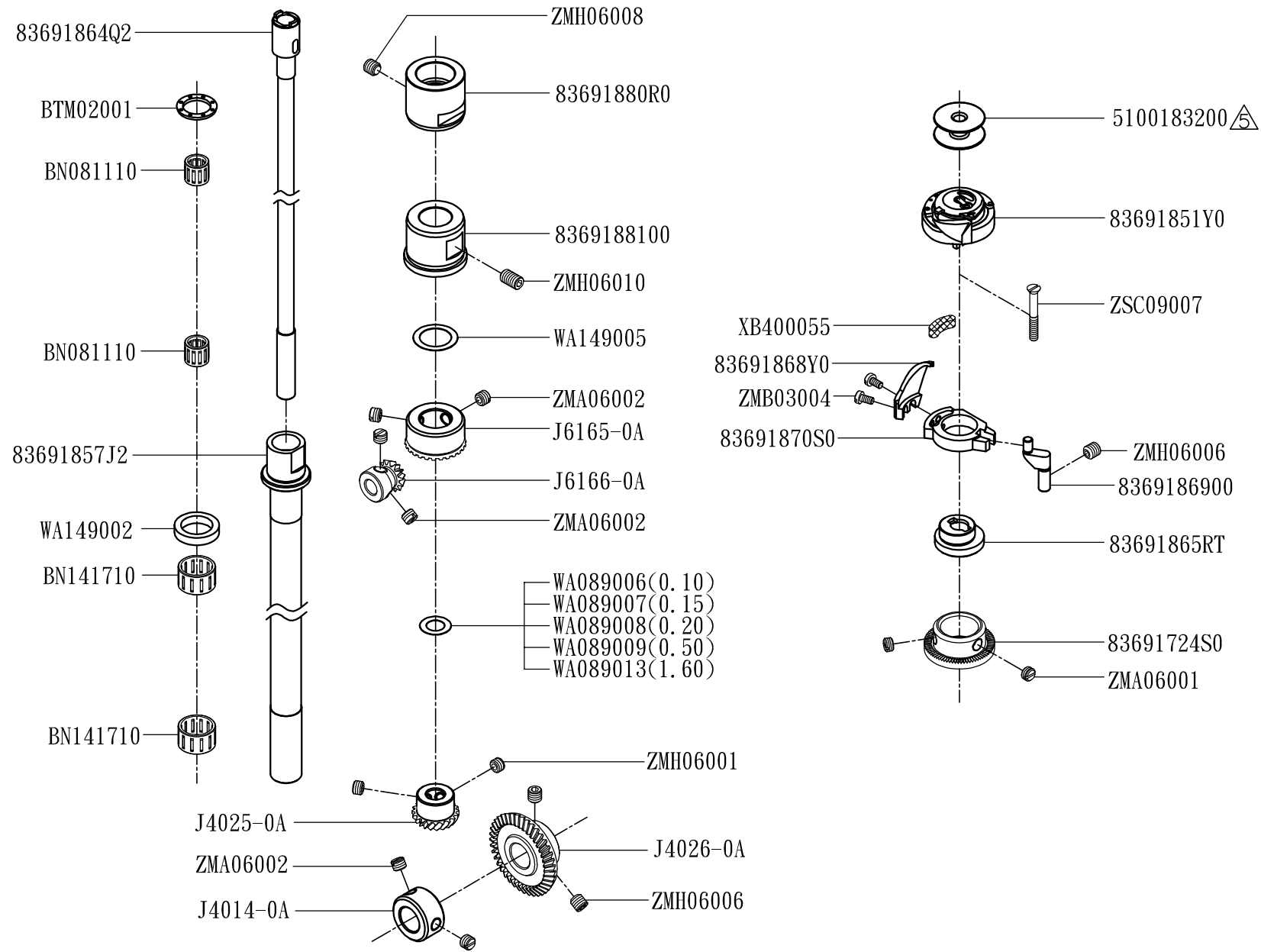
0. CS-8369HS 釜軸座機構(1/12) HOOK SADDLE MECHANISM(1/12)



0. CS-8369HS 釜軸機構(1/12) HOOK SADDLE MECHANISM (1/12)

| 零件號碼 Part No | 零件名稱 | Name of Part | 件數 Q, TY | 備註 Remarks |
|-----------------|--------------|--------------------------------|-------------|---------------|
| 8369110400 | 底座蓋 ----- | Bed Cover ----- | 2 | |
| 83691106S0 | 針板座 ----- | Needle Plate Base ----- | 1 | |
| 83691113SB | 針板 ----- | Needle Plate ----- | 1 | |
| 83691113SC | 小針板 ----- | Needle Plate ----- | 1 | |
| 83691113SD | 小針板 ----- | Needle Plate ----- | (1) | |
| 83691113SE | 小針板 ----- | Needle Plate ----- | (1) | |
| 83691690S0 | 送料輪固定板 ----- | Bearing Plate ----- | 1 | |
| 83691836S0 | 護蓋 ----- | Post Cap ----- | 1 | |
| 83691836S5 | 釜蓋(套) ----- | Post Cap Asm. ----- | 1 | |
| 83691859J0 | 釜台 ----- | Hook Saddle ----- | 1 | |
| 83691860H2 | 釜台支持 ----- | Hook Saddle Support ----- | 1 | |
| 83691861H0 | 釜台支持座 ----- | Hook Saddle Support Base ----- | 1 | |
| AB6033-0A | 活動板 ----- | Hinge ----- | 1 | |
| AB6034-0A | 固定銷 ----- | Pin ----- | 1 | |
| AB6051-0A | 送料輪 ----- | Feed Wheel ----- | 1 | |
| J4011-0B | 主軸套管 ----- | Collar ----- | 2 | |
| J6035-0A | 彈簧板 ----- | Spring ----- | 1 | |
| J6036-0A | 平墊圈 ----- | Washer ----- | 4 | |
| J6160-0A | 調整銷 ----- | Stud ----- | 1 | |
| ZMA05002 | 螺絲 ----- | Screw (M5-0.8x4.5) ----- | 5 | |
| ZMB03003 | 螺絲 ----- | Screw (M3-0.5x4.7) ----- | 3 | |
| ZMB04010 | 螺絲 ----- | Screw (M)4-0.7x6 ----- | 2 | |
| ZMB05003 | 螺絲 ----- | Screw (M5-0.8x7) ----- | 2 | |
| ZMC04018 | 螺絲 ----- | Screw (M4-0.7x5.5) ----- | 2 | |
| ZMH05002 | 螺絲 ----- | Screw (M5-0.8x6) ----- | 4 | |
| ZMH06010 | 螺絲 ----- | Screw (M6-1.0x10) ----- | 4 | |
| ZMJ06002 | 螺絲 ----- | Screw (M6-1.0x15) ----- | 8 | |
| ZSB06006 | 螺絲 ----- | Screw (3/32-56x2.3) ----- | 2 | |

0. CS-8369HS 釜軸座機構(2/12) HOOK SADDLE MECHANISM(2/12)



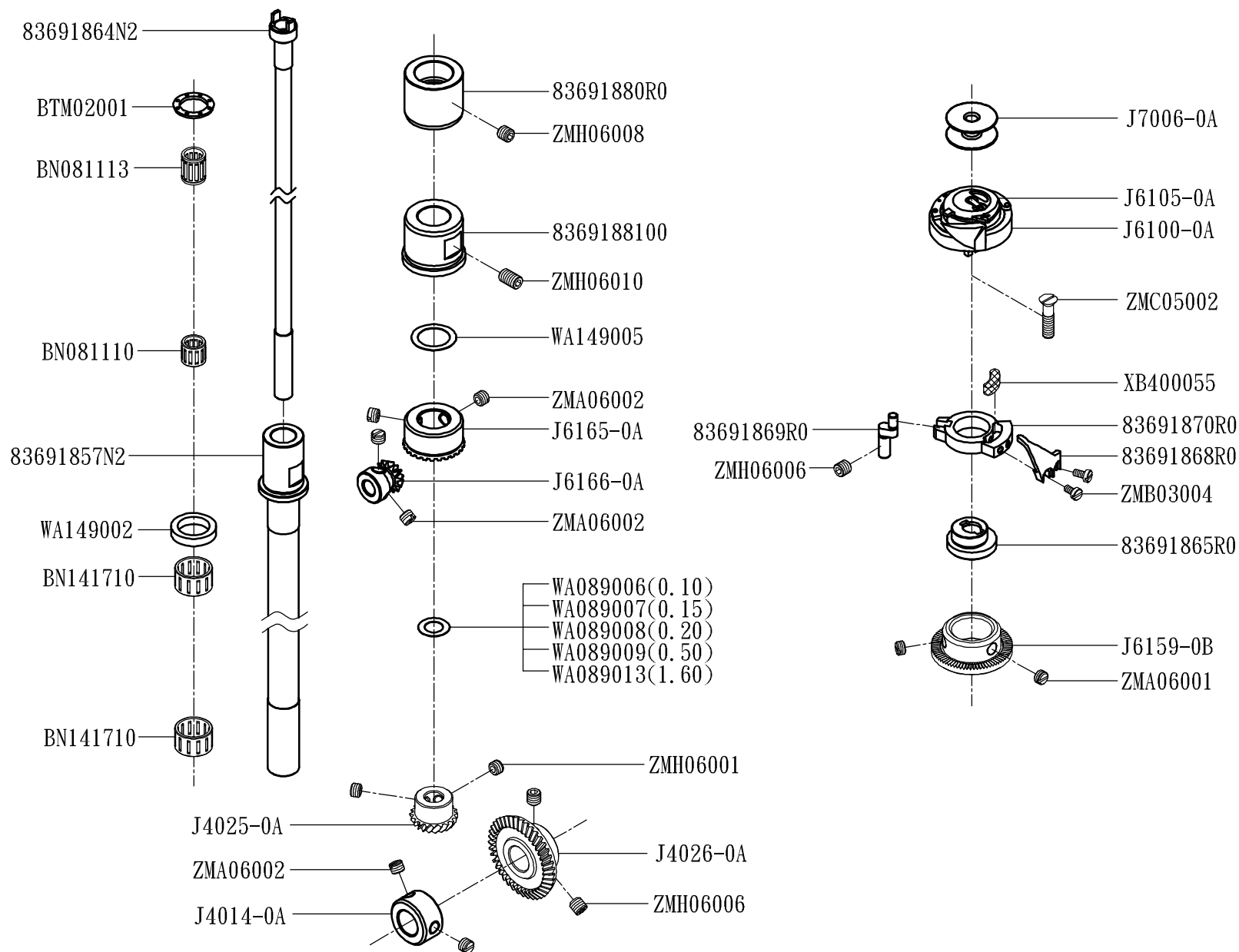
O. CS-8369HS 釜軸機構(2/12) HOOK SADDLE MECHANISM (2/12)

| 零件號碼 Part No. | 零件名稱 | Name of Part | 件數 Q'TY | 零件號碼 Part No. | 零件名稱 | Name of Part | 件數 Q'TY |
|------------------|-------------|------------------------------------|------------|------------------|----------|-------------------------|------------|
| 5100183200 | 梭仔 ----- | Bobbin ----- | 1 | ZMA06001 | 螺絲 ----- | Screw (M6-0.75x3.5) --- | 2 |
| 83691724S0 | 銅齒 ----- | Driving Wheel ----- | 1 | ZMA06002 | 螺絲 ----- | Screw (M6-0.75x4.5) --- | 6 |
| 83691851Y0 | 梭頭 ----- | Hook ----- | 1 | ZMB03004 | 螺絲 ----- | Screw (M3-0.5x5.7) ---- | 2 |
| 83691857J2 | 釜軸中套管 ---- | Feed Wheel Shaft ----- | 1 | ZMH06001 | 螺絲 ----- | Screw (M6-0.75x4) ----- | 2 |
| 83691864Q2 | 釜軸 ----- | Hook Shaft ----- | 1 | ZMH06006 | 螺絲 ----- | Screw (M6-0.75x6) ----- | 3 |
| 83691865RT | 梭軸頭 ----- | Hook Driver ----- | 1 | ZMH06008 | 螺絲 ----- | Screw (M6-1.0x6) ----- | 1 |
| 83691868Y0 | 牛角 ----- | Rotating Hook Opener ----- | 1 | ZMH06010 | 螺絲 ----- | Screw (M6-1.0x10) ----- | 1 |
| 8369186900 | 牛角固定座 ---- | Driver ----- | 1 | ZSC09007 | 螺絲 ----- | Screw (9/64-40x28) ---- | 1 |
| 83691870S0 | 牛角座 ----- | Rotating Hook Opener Bracket ----- | 1 | | | | |
| 83691880R0 | 釜軸套管 ----- | Bushing ----- | 1 | | | | |
| 8369188100 | 釜軸套管 ----- | Bushing ----- | 1 | | | | |
| BN081110 | 針狀軸承 ----- | Needle Bearing ----- | 2 | | | | |
| BN141710 | 針狀軸承 ----- | Needle Bearing ----- | 2 | | | | |
| BTM02001 | 止推軸承 ----- | Thrust Bearing ----- | 1 | | | | |
| J4014-0A | 定環 ----- | Collar ----- | 1 | | | | |
| J4025-0A | 齒輪(小) ----- | Bevel Gear (Small) ----- | 1 | | | | |
| J4026-0A | 齒輪(大) ----- | Bevel Gear (Large) ----- | 1 | | | | |
| J6165-0A | 齒輪(大) ----- | Bevel Gear (Large) ----- | 1 | | | | |
| J6166-0A | 齒輪(小) ----- | Bevel Gear (Small) ----- | 1 | | | | |
| WA089006 | 平墊圈 ----- | Washer ----- | 1 | | | | |
| WA089007 | 平墊圈 ----- | Washer ----- | 1 | | | | |
| WA089008 | 平墊圈 ----- | Washer ----- | 1 | | | | |
| WA089009 | 平墊圈 ----- | Washer ----- | 1 | | | | |
| WA089013 | 平墊圈 ----- | Washer ----- | 1 | | | | |
| WA149002 | 平墊圈 ----- | Washer ----- | 1 | | | | |
| WA149005 | 平墊圈 ----- | Washer ----- | 1 | | | | |
| XB400055 | 油棉 ----- | Felt ----- | 1 | | | | |

0. CS-8369HR 釜軸機構(3/12) HOOK SADDLE MECHANISM (3/12)

| 零件號碼 Part No. | 零件名稱 | Name of Part | 件數 Q'TY | 零件號碼 Part No. | 零件名稱 | Name of Part | 件數 Q'TY |
|------------------|--------|--------------------------|------------|------------------|------|---------------------|------------|
| 83691104R0 | 底座蓋 | Bed Cover | 1 | ZMA05002 | 螺絲 | Screw (M5-0.8x4.5) | 5 |
| 83691106R0 | 針板座 | Needle Plate Base | 1 | ZMB03001 | 螺絲 | Screw (M3-0.5x4) | 2 |
| 83691113RB | 針板 | Needle Plate | 1 | ZMB03003 | 螺絲 | Screw (M3-0.5x4.7) | 3 |
| 83691113RC | 小針板 | Needle Plate | 1 | ZMB04030 | 螺絲 | Screw (M4-0.7x8) | 2 |
| 83691113RD | 小針板 | Needle Plate | (1) | ZMB04044 | 螺絲 | Screw (M4-0.7x7) | 2 |
| 83691113RE | 小針板 | Needle Plate | (1) | ZMB05003 | 螺絲 | Screw (M5-0.8x7) | 2 |
| 83691657R0 | 送料輪(小) | Feed Wheel (Small) | 1 | ZMC04018 | 螺絲 | Screw (M4-0.7x5.5) | 2 |
| 83691690R0 | 送料輪固定板 | Bearing Plate | 1 | ZMH05002 | 螺絲 | Screw (M5-0.8x6) | 4 |
| 83691691R0 | 送料輪固定板 | Bearing Plate | 1 | ZMH06010 | 螺絲 | Screw (M6-1.0x10) | 4 |
| 83691720R0 | 送料輪 | Feed Wheel | 1 | ZMJ06002 | 螺絲 | Screw (M6-1.0x15) | 6 |
| 83691836R0 | 護蓋 | Post Cap | 1 | ZSB06006 | 螺絲 | Screw (3/32-56x2.3) | 2 |
| 83691836R5 | 釜蓋(套) | Post Cap Asm. | 1 | | | | |
| 83691859N0 | 釜台 | Hook Saddle | 1 | | | | |
| 83691860H2 | 釜台支持 | Hook Saddle Support | 1 | | | | |
| 83691861H0 | 釜台支持座 | Hook Saddle Support Base | 1 | | | | |
| 83691871R0 | 針板座蓋 | Needle Plate Base Cover | 1 | | | | |
| AB6033-0A | 活動板 | Hinge | 1 | | | | |
| AB6034-0A | 固定銷 | Pin | 1 | | | | |
| J4011-0B | 主軸套管 | Collar | 2 | | | | |
| J6035-0A | 彈簧板 | Spring | 1 | | | | |
| J6036-0A | 平墊圈 | Washer | 4 | | | | |
| J6160-0A | 調整銷 | Stud | 1 | | | | |

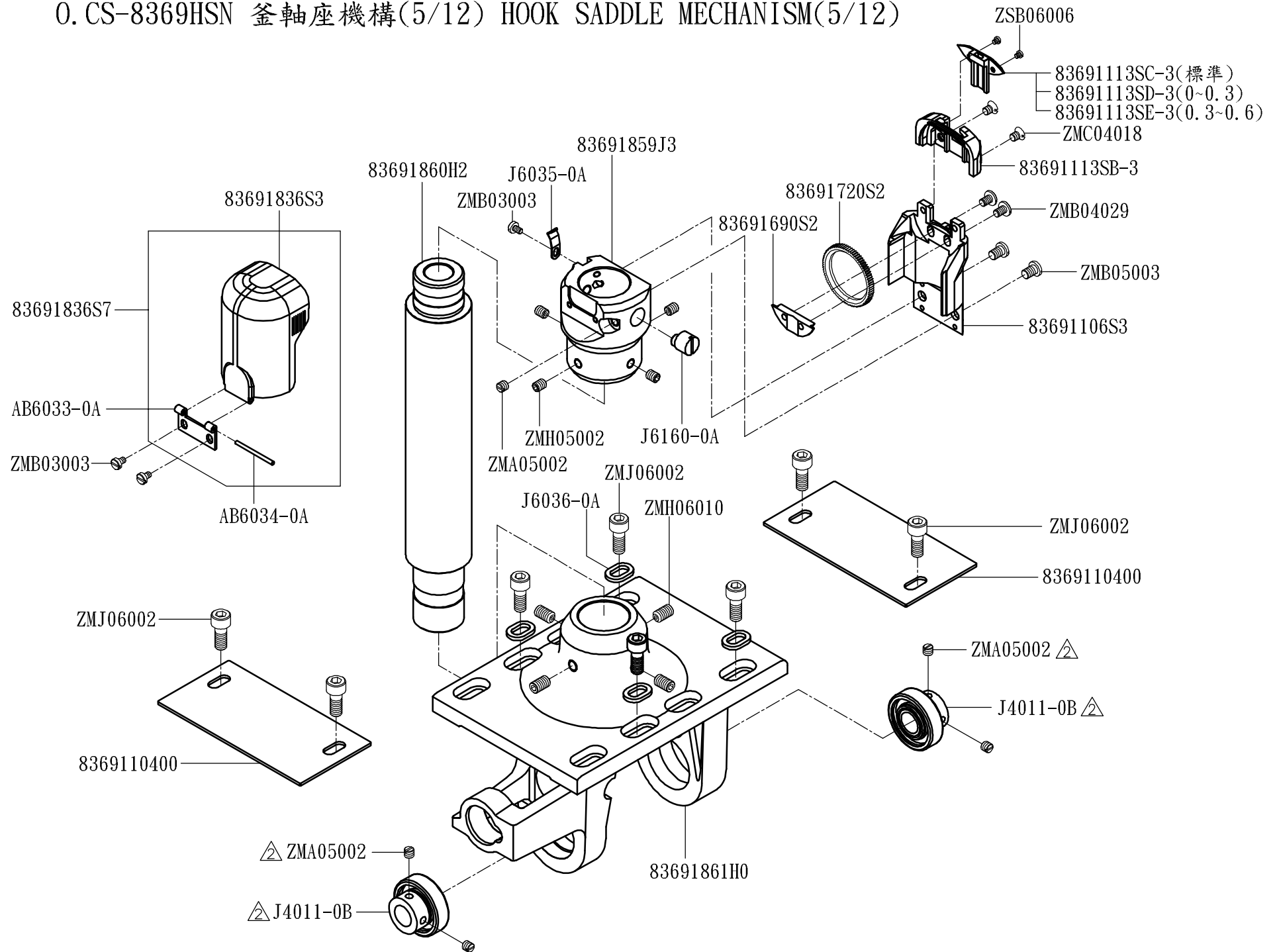
0. CS-8369HR 釜軸座機構(4/12) HOOK SADDLE MECHANISM(4/12)



O. CS-8369HR 釜軸機構(4/12) HOOK SADDLE MECHANISM (4/12)

| 零件號碼 Part No. | 零件名稱 | Name of Part | 件數 Q'TY | 零件號碼 Part No. | 零件名稱 | Name of Part | 件數 Q'TY |
|------------------|-------|------------------------------|------------|------------------|------|---------------------|------------|
| 83691857N2 | 釜軸中套管 | Feed Wheel Shaft | 1 | ZMA06001 | 螺絲 | Screw (M6-0.75x3.5) | 2 |
| 83691864N2 | 釜軸 | Hook shaft | 1 | ZMA06002 | 螺絲 | Screw (M6-0.75x4.5) | 6 |
| 83691865R0 | 梭軸頭 | Hook Driver | 1 | ZMB03004 | 螺絲 | Screw (M3-0.5x5.7) | 2 |
| 83691868R0 | 牛角 | Rotating Hook Opener | 1 | ZMC05002 | 螺絲 | Screw (M5-0.8x20) | 1 |
| 83691869R0 | 牛角固定座 | Driver | 1 | ZMH06001 | 螺絲 | Screw (M6-0.75x4) | 2 |
| 83691870R0 | 牛角座 | Rotating Hook Opener Bracket | 1 | ZMH06006 | 螺絲 | Screw (M6-0.75x6) | 3 |
| 83691880R0 | 釜軸套管 | Bushing | 1 | ZMH06008 | 螺絲 | Screw (M6-1.0x6) | 1 |
| 8369188100 | 釜軸套管 | Bushing | 1 | ZMH06010 | 螺絲 | Screw (M6-1.0x10) | 1 |
| BN081110 | 針狀軸承 | Needle Bearing | 1 | | | | |
| BN081113 | 針狀軸承 | Needle Bearing | 1 | | | | |
| BN141710 | 針狀軸承 | Needle Bearing | 2 | | | | |
| BTM02001 | 止推軸承 | Thrust Bearing | 1 | | | | |
| J4014-0A | 定環 | Collar | 1 | | | | |
| J4025-0A | 齒輪(小) | Bevel Gear (Small) | 1 | | | | |
| J4026-0A | 齒輪(大) | Bevel Gear (Large) | 1 | | | | |
| J6100-0A | 梭頭 | Hook | 1 | | | | |
| J6105-0A | 縮殼 | Bobbin Case | 1 | | | | |
| J6159-0B | 銅齒 | Driving Wheel | 1 | | | | |
| J6165-0A | 齒輪(大) | Bevel Gear (Large) | 1 | | | | |
| J6166-0A | 齒輪(小) | Bevel Gear (Small) | 1 | | | | |
| J7006-0A | 梭仔 | Bobbin | 1 | | | | |
| WA089006 | 平墊圈 | Washer | 1 | | | | |
| WA089007 | 平墊圈 | Washer | 1 | | | | |
| WA089008 | 平墊圈 | Washer | 1 | | | | |
| WA089009 | 平墊圈 | Washer | 1 | | | | |
| WA089013 | 平墊圈 | Washer | 1 | | | | |
| WA149002 | 平墊圈 | Washer | 1 | | | | |
| WA149005 | 平墊圈 | Washer | 1 | | | | |
| XB400055 | 油棉 | Felt | 1 | | | | |

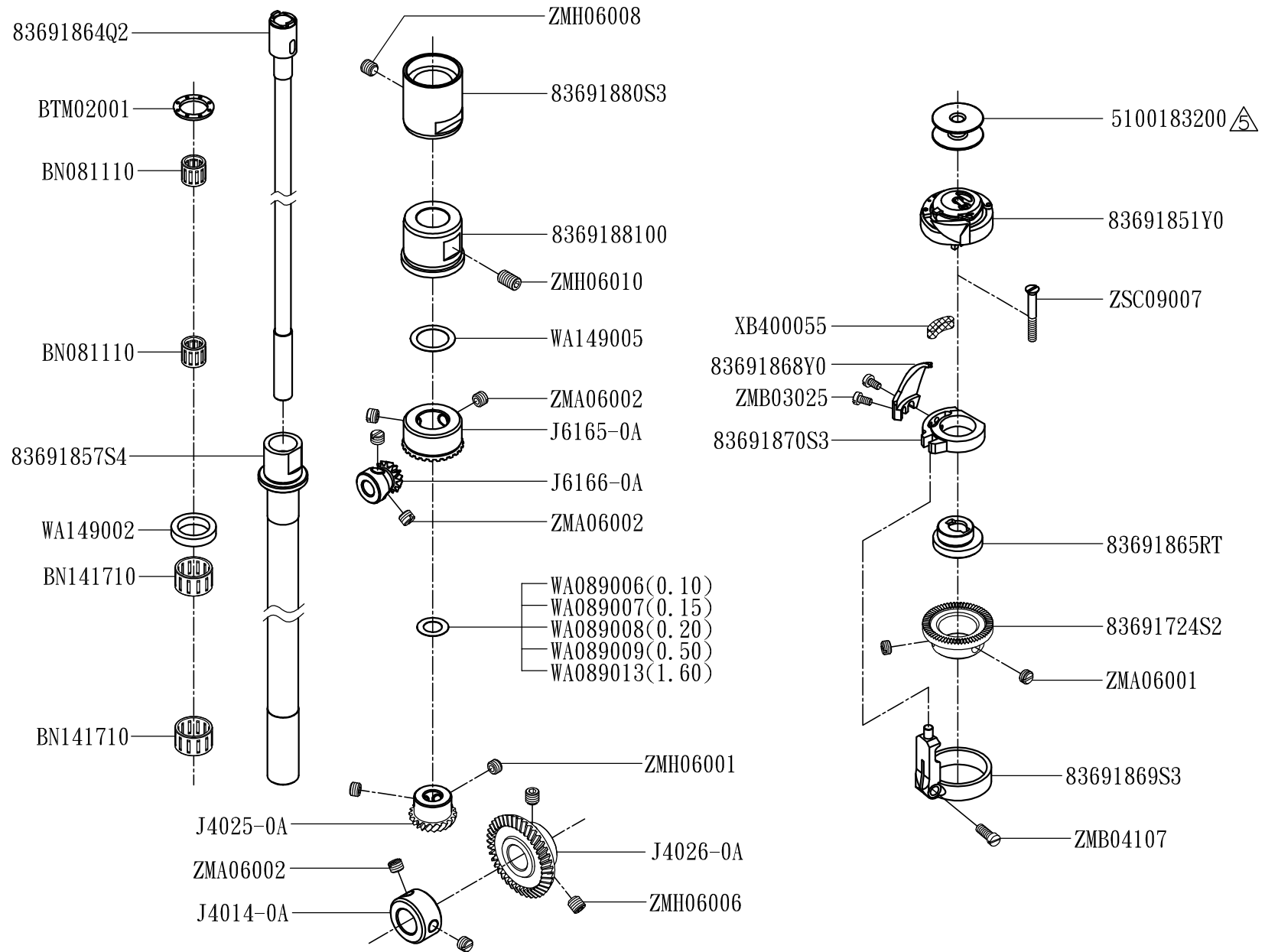
0. CS-8369HSN 釜軸座機構(5/12) HOOK SADDLE MECHANISM(5/12)



0. CS-8369HSN 釜軸機構(5/12) HOOK SADDLE MECHANISM (5/12)

| 零件號碼 Part No | 零件名稱 | Name of Part | 件數 Q, TY | 備註 Remarks |
|-----------------|--------|--------------------------|-------------|---------------|
| 8369110400 | 底座蓋 | Bed Cover | 2 | |
| 83691106S3 | 針板座 | Needle Plate Base | 1 | |
| 83691113SB-3 | 針板 | Needle Plate | 1 | |
| 83691113SC-3 | 小針板 | Needle Plate | 1 | |
| 83691113SD-3 | 小針板 | Needle Plate | 1 | |
| 83691113SE-3 | 小針板 | Needle Plate | 1 | |
| 83691690S2 | 送料輪固定板 | Bearing Plate | 1 | |
| 83691720S2 | 送料輪 | Feed Wheel | 1 | |
| 83691836S3 | 護蓋 | Post Cap | 1 | |
| 83691836S7 | 釜蓋(套) | Post Cap Asm. | 1 | |
| 83691859J3 | 釜台 | Hook Saddle | 1 | |
| 83691860H2 | 釜台支持 | Hook Saddle Support | 1 | |
| 83691861H0 | 釜台支持座 | Hook Saddle Support Base | 1 | |
| AB6033-0A | 活動板 | Hinge | 1 | |
| AB6034-0A | 固定銷 | Pin | 1 | |
| J4011-0B | 主軸套管 | Collar | 2 | |
| J6035-0A | 彈簧板 | Spring | 1 | |
| J6036-0A | 平墊圈 | Washer | 4 | |
| J6160-0A | 調整銷 | Stud | 1 | |
| ZMA05002 | 螺絲 | Screw (M5-0.8x4.5) | 5 | |
| ZMB03003 | 螺絲 | Screw (M3-0.5x4.7) | 3 | |
| ZMB04029 | 螺絲 | Screw (M)4-0.7x6 | 2 | |
| ZMB05003 | 螺絲 | Screw (M5-0.8x7) | 2 | |
| ZMC04018 | 螺絲 | Screw (M4-0.7x5.5) | 2 | |
| ZMH05002 | 螺絲 | Screw (M5-0.8x6) | 4 | |
| ZMH06010 | 螺絲 | Screw (M6-1.0x10) | 4 | |
| ZMJ06002 | 螺絲 | Screw (M6-1.0x15) | 8 | |
| ZSB06006 | 螺絲 | Screw (3/32-56x2.3) | 2 | |

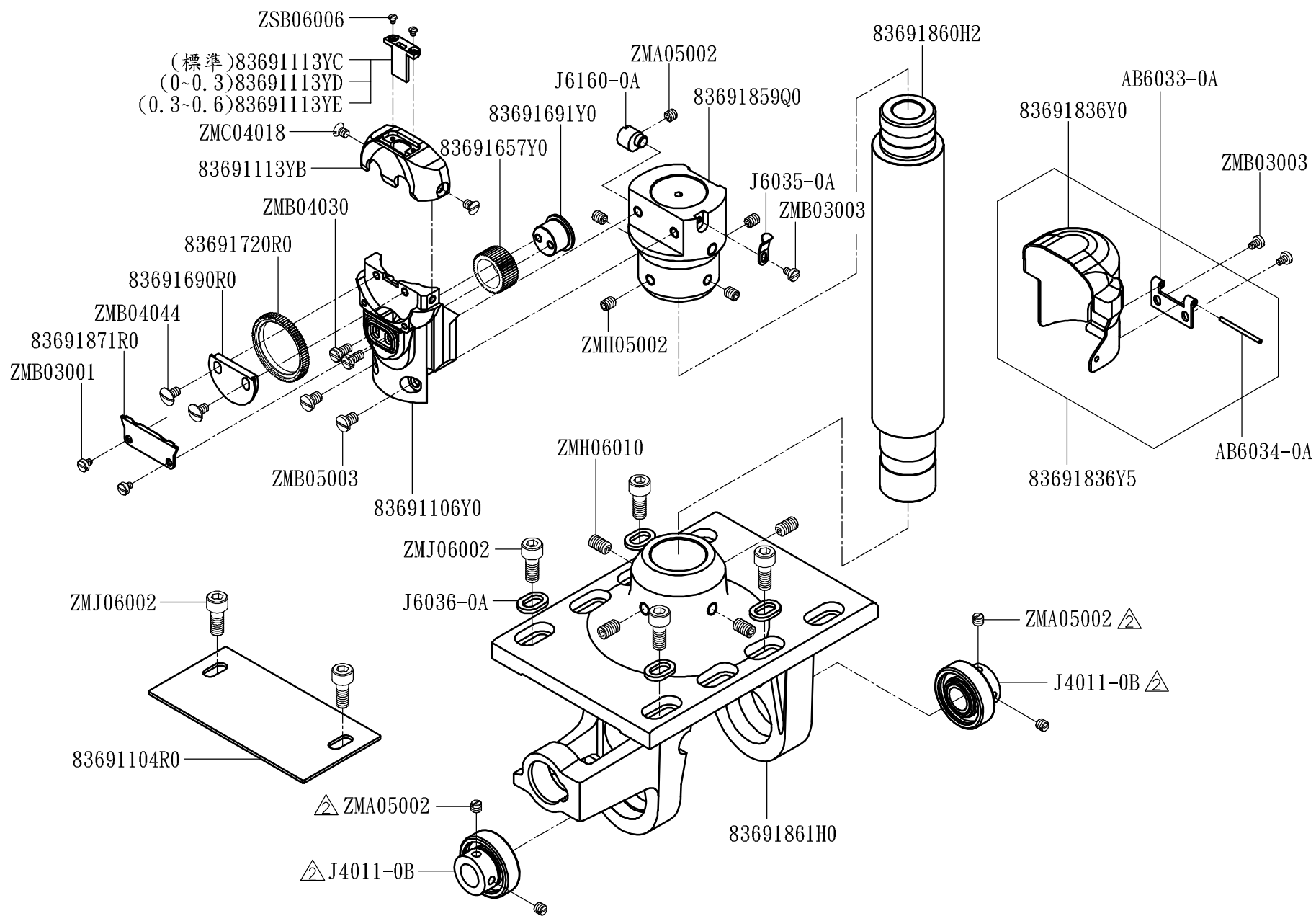
0. CS-8369HSN 釜軸座機構(6/12) HOOK SADDLE MECHANISM(6/12)



O. CS-8369HSN 釜軸機構(6/12) HOOK SADDLE MECHANISM (6/12)

| 零件號碼 Part No. | 零件名稱 | Name of Part | 件數 Q'TY | 零件號碼 Part No. | 零件名稱 | Name of Part | 件數 Q'TY |
|------------------|-------------|------------------------------------|------------|------------------|----------|---------------------------|------------|
| 5100183200 | 梭仔 ----- | Bobbin ----- | 1 | ZMA06001 | 螺絲 ----- | Screw (M6-0.75x3.5) ----- | 2 |
| 83691724S2 | 銅齒 ----- | Driving Wheel ----- | 1 | ZMA06002 | 螺絲 ----- | Screw (M6-0.75x4.5) ----- | 6 |
| 83691851Y0 | 梭頭 ----- | Hook ----- | 1 | ZMB03025 | 螺絲 ----- | Screw (M3-0.5x5) ----- | 2 |
| 83691857S4 | 釜軸中套管 ---- | Feed Wheel Shaft ----- | 1 | ZMB04107 | 螺絲 ----- | Screw (M4-0.7x10) ----- | 2 |
| 83691864Q2 | 釜軸 ----- | Hook Shaft ----- | 1 | ZMH06001 | 螺絲 ----- | Screw (M6-0.75x4) ----- | 2 |
| 83691865RT | 梭軸頭 ----- | Hook Driver ----- | 1 | ZMH06006 | 螺絲 ----- | Screw (M6-0.75x6) ----- | 2 |
| 83691868Y0 | 牛角 ----- | Rotating Hook Opener ----- | 1 | ZMH06008 | 螺絲 ----- | Screw (M6-1.0x6) ----- | 1 |
| 83691869S3 | 牛角固定座 ---- | Driver ----- | 1 | ZMH06010 | 螺絲 ----- | Screw (M6-1.0x10) ----- | 1 |
| 83691870S3 | 牛角座 ----- | Rotating Hook Opener Bracket ----- | 1 | ZSC09007 | 螺絲 ----- | Screw (9/64-40x28) ----- | 1 |
| 83691880S3 | 釜軸套管 ----- | Bushing ----- | 1 | | | | |
| 8369188100 | 釜軸套管 ----- | Bushing ----- | 1 | | | | |
| BN081110 | 針狀軸承 ----- | Needle Bearing ----- | 2 | | | | |
| BN141710 | 針狀軸承 ----- | Needle Bearing ----- | 2 | | | | |
| BTM02001 | 止推軸承 ----- | Thrust Bearing ----- | 1 | | | | |
| J4014-0A | 定環 ----- | Collar ----- | 1 | | | | |
| J4025-0A | 齒輪(小) ----- | Bevel Gear (Small) ----- | 1 | | | | |
| J4026-0A | 齒輪(大) ----- | Bevel Gear (Large) ----- | 1 | | | | |
| J6165-0A | 齒輪(大) ----- | Bevel Gear (Large) ----- | 1 | | | | |
| J6166-0A | 齒輪(小) ----- | Bevel Gear (Small) ----- | 1 | | | | |
| WA089006 | 平墊圈 ----- | Washer ----- | 1 | | | | |
| WA089007 | 平墊圈 ----- | Washer ----- | 1 | | | | |
| WA089008 | 平墊圈 ----- | Washer ----- | 1 | | | | |
| WA089009 | 平墊圈 ----- | Washer ----- | 1 | | | | |
| WA089013 | 平墊圈 ----- | Washer ----- | 1 | | | | |
| WA149002 | 平墊圈 ----- | Washer ----- | 1 | | | | |
| WA149005 | 平墊圈 ----- | Washer ----- | 1 | | | | |
| XB400055 | 油棉 ----- | Felt ----- | 1 | | | | |

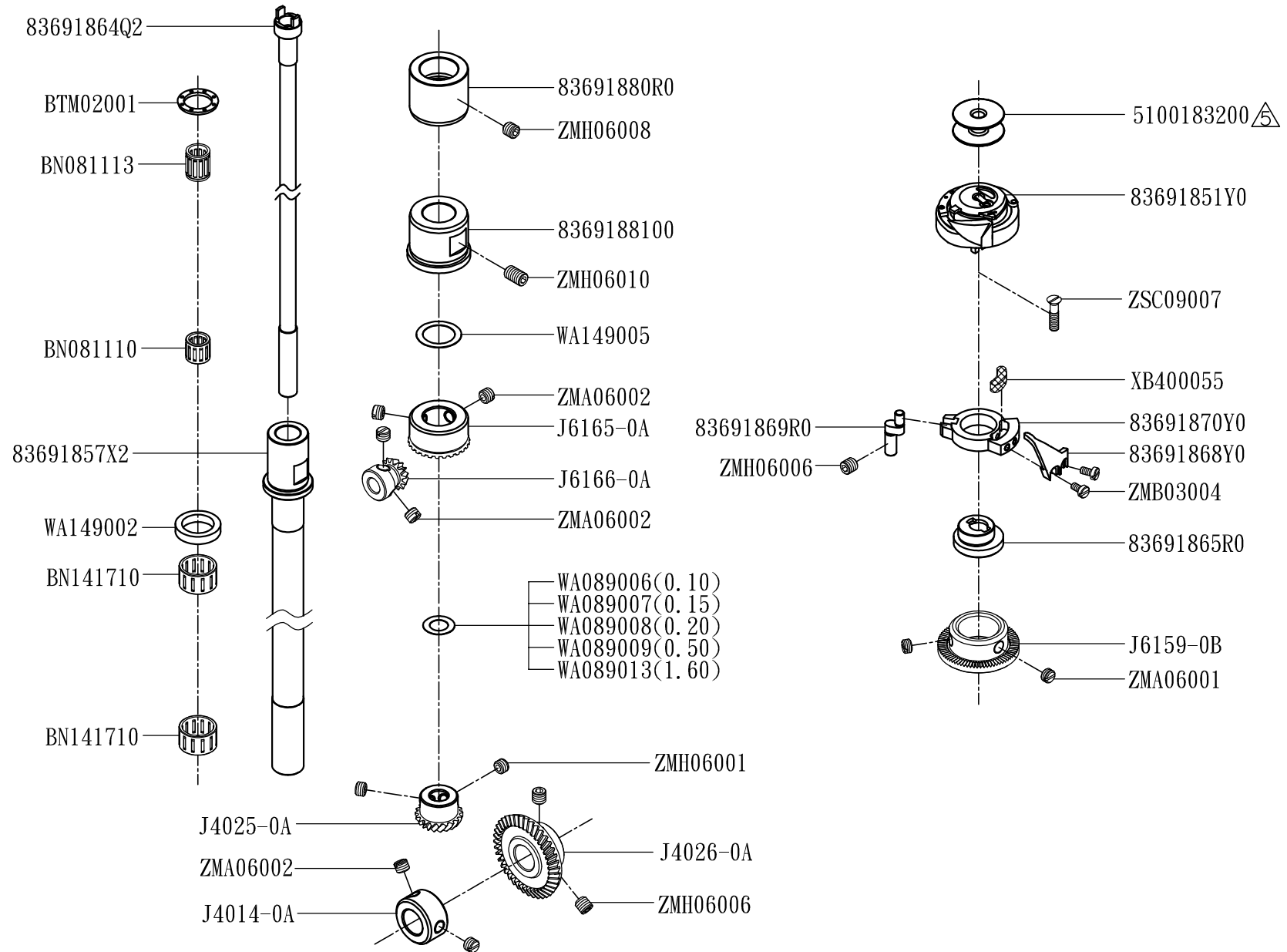
0. CS-8369HSR 釜軸座機構(7/12) HOOK SADDLE MECHANISM(7/12)



O. CS-8369HSR 釜軸機構(7/12) HOOK SADDLE MECHANISM (7/12)

| 零件號碼 Part No. | 零件名稱 | Name of Part | 件數 Q'TY | 零件號碼 Part No. | 零件名稱 | Name of Part | 件數 Q'TY |
|------------------|--------|--------------------------|------------|------------------|------|---------------------|------------|
| 83691104R0 | 底座蓋 | Bed Cover | 1 | ZMA05002 | 螺絲 | Screw (M5-0.8x4.5) | 5 |
| 83691106Y0 | 針板座 | Needle Plate Base | 1 | ZMB03001 | 螺絲 | Screw (M3-0.5x4) | 2 |
| 83691113YB | 針板 | Needle Plate | 1 | ZMB03003 | 螺絲 | Screw (M3-0.5x4.7) | 3 |
| 83691113YC | 小針板 | Needle Plate | 1 | ZMB04030 | 螺絲 | Screw (M4-0.7x8) | 2 |
| 83691113YD | 小針板 | Needle Plate | (1) | ZMB04044 | 螺絲 | Screw (M4-0.7x7) | 2 |
| 83691113YE | 小針板 | Needle Plate | (1) | ZMB05003 | 螺絲 | Screw (M5-0.8x7) | 2 |
| 83691657Y0 | 送料輪(小) | Feed Wheel (Small) | 1 | ZMC04018 | 螺絲 | Screw (M4-0.7x5.5) | 2 |
| 83691690R0 | 送料輪固定板 | Bearing Plate | 1 | ZMH05002 | 螺絲 | Screw (M5-0.8x6) | 4 |
| 83691691Y0 | 送料輪固定板 | Bearing Plate | 1 | ZMH06010 | 螺絲 | Screw (M6-1.0x10) | 4 |
| 83691720R0 | 送料輪 | Feed Wheel | 1 | ZMJ06002 | 螺絲 | Screw (M6-1.0x15) | 6 |
| 83691836Y0 | 護蓋 | Post Cap | 1 | ZSB06006 | 螺絲 | Screw (3/32-56x2.5) | 2 |
| 83691836Y5 | 釜蓋(套) | Post Cap Asm. | 1 | | | | |
| 83691859Q0 | 釜台 | Hook Saddle | 1 | | | | |
| 83691860H2 | 釜台支持 | Hook Saddle Support | 1 | | | | |
| 83691861H0 | 釜台支持座 | Hook Saddle Support Base | 1 | | | | |
| 83691871R0 | 針板座蓋 | Needle Plate Base Cover | 1 | | | | |
| AB6033-0A | 活動板 | Hinge | 1 | | | | |
| AB6034-0A | 固定銷 | Pin | 1 | | | | |
| J4011-0B | 主軸套管 | Collar | 2 | | | | |
| J6035-0A | 彈簧板 | Spring | 1 | | | | |
| J6036-0A | 平墊圈 | Washer | 4 | | | | |
| J6160-0A | 調整銷 | Stud | 1 | | | | |

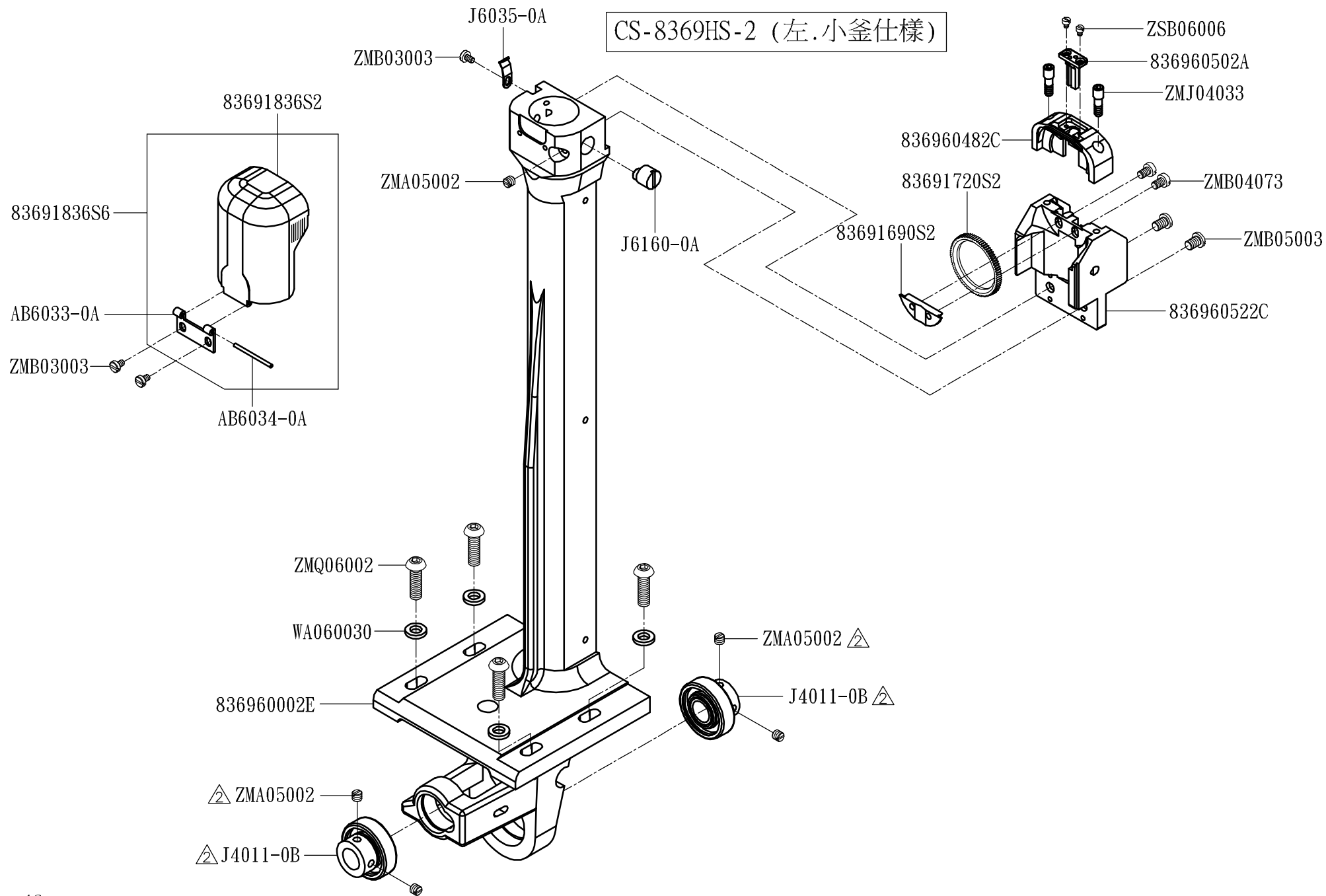
0. CS-8369HSR 釜軸座機構(8/12) HOOK SADDLE MECHANISM(8/12)



O. CS-8369HSR 釜軸機構(8/12) HOOK SADDLE MECHANISM (8/12)

| 零件號碼 Part No. | 零件名稱 | Name of Part | 件數 Q'TY | 零件號碼 Part No. | 零件名稱 | Name of Part | 件數 Q'TY |
|------------------|-------------|------------------------------------|------------|------------------|----------|---------------------------|------------|
| 5100183200 | 梭仔 ----- | Bobbin ----- | 1 | ZMA06001 | 螺絲 ----- | Screw (M6-0.75x3.5) ----- | 2 |
| 83691851Y0 | 梭頭 ----- | Hook ----- | 1 | ZMA06002 | 螺絲 ----- | Screw (M6-0.75x4.5) ----- | 6 |
| 83691857X2 | 釜軸中套管 ---- | Feed Wheel Shaft ----- | 1 | ZMB03004 | 螺絲 ----- | Screw (M3-0.5x5.7) ----- | 2 |
| 83691864Q2 | 釜軸 ----- | Hook shaft ----- | 1 | ZMH06001 | 螺絲 ----- | Screw (M6-0.75x4) ----- | 2 |
| 83691865R0 | 梭軸頭 ----- | Hook Driver ----- | 1 | ZMH06006 | 螺絲 ----- | Screw (M6-0.75x6) ----- | 3 |
| 83691868Y0 | 牛角 ----- | Rotating Hook Opener ----- | 1 | ZMH06008 | 螺絲 ----- | Screw (M6-1.0x6) ----- | 1 |
| 83691869R0 | 牛角固定座 ---- | Driver ----- | 1 | ZMH06010 | 螺絲 ----- | Screw (M6-1.0x10) ----- | 1 |
| 83691870Y0 | 牛角座 ----- | Rotating Hook Opener Bracket ----- | 1 | ZSC09007 | 螺絲 ----- | Screw (9/64-40x28) ----- | 1 |
| 83691880R0 | 釜軸套管 ----- | Bushing ----- | 1 | | | | |
| 8369188100 | 釜軸套管 ----- | Bushing ----- | 1 | | | | |
| BN081110 | 針狀軸承 ----- | Needle Bearing ----- | 1 | | | | |
| BN081113 | 針狀軸承 ----- | Needle Bearing ----- | 1 | | | | |
| BN141710 | 針狀軸承 ----- | Needle Bearing ----- | 2 | | | | |
| BTM02001 | 止推軸承 ----- | Thrust Bearing ----- | 1 | | | | |
| J4014-0A | 定環 ----- | Collar ----- | 1 | | | | |
| J4025-0A | 齒輪(小) ----- | Bevel Gear (Small) ----- | 1 | | | | |
| J4026-0A | 齒輪(大) ----- | Bevel Gear (Large) ----- | 1 | | | | |
| J6159-0B | 銅齒 ----- | Driving Wheel ----- | 1 | | | | |
| J6165-0A | 齒輪(大) ----- | Bevel Gear (Large) ----- | 1 | | | | |
| J6166-0A | 齒輪(小) ----- | Bevel Gear (Small) ----- | 1 | | | | |
| WA089006 | 平墊圈 ----- | Washer ----- | 1 | | | | |
| WA089007 | 平墊圈 ----- | Washer ----- | 1 | | | | |
| WA089008 | 平墊圈 ----- | Washer ----- | 1 | | | | |
| WA089009 | 平墊圈 ----- | Washer ----- | 1 | | | | |
| WA089013 | 平墊圈 ----- | Washer ----- | 1 | | | | |
| WA149002 | 平墊圈 ----- | Washer ----- | 1 | | | | |
| WA149005 | 平墊圈 ----- | Washer ----- | 1 | | | | |
| XB400055 | 油棉 ----- | Felt ----- | 1 | | | | |

0. CS-8369HS-2 釜軸座機構(9/12) HOOK SADDLE MECHANISM(9/12)

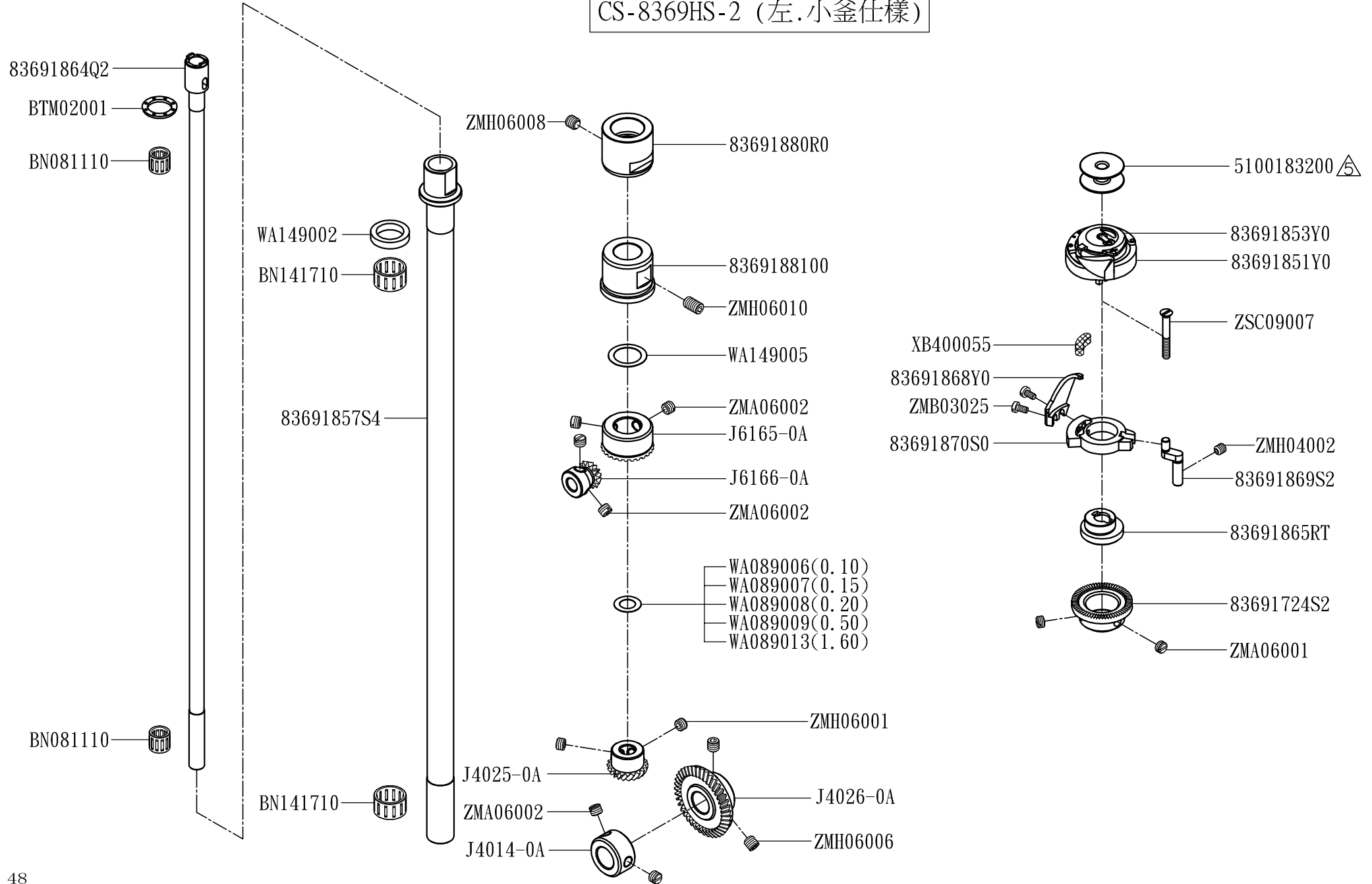


0. CS-8369HS-2 釜軸機構(9/12) HOOK SADDLE MECHANISM (9/12)

| 零件號碼 Part No | 零件名稱 | Name of Part | 件數 Q, TY | 備註 Remarks |
|-----------------|--------|---------------------|-------------|---------------|
| 83691690S2 | 送料輪固定板 | Bearing Plate | 1 | |
| 83691720S2 | 送料輪 | Feed Wheel | 1 | |
| 83691836S2 | 護蓋 | Post Cap | 1 | |
| 83691836S6 | 釜蓋(套) | Post Cap Asm. | 1 | |
| 836960002E | 釜台 | Hook Saddle | 1 | |
| 836960482C | 針板座 | Needle Plate Base | 1 | |
| 836960502A | 針板 | Needle Plate | 1 | |
| 836960522C | 針板土台 | Needle Plate Base | 1 | |
| AB6033-0A | 活動板 | Hinge | 1 | |
| AB6034-0A | 固定銷 | Pin | 1 | |
| J4011-0B | 主軸套管 | Collar | 2 | |
| J6035-0A | 彈簧板 | Spring | 1 | |
| J6160-0A | 調整銷 | Stud | 1 | |
| WA060030 | 平墊圈 | Washer | 4 | |
| ZMA05002 | 螺絲 | Screw (M5-0.8x4.5) | 5 | |
| ZMB03003 | 螺絲 | Screw (M3-0.5x4.7) | 3 | |
| ZMB04073 | 螺絲 | Screw (M4-0.7x6) | 2 | |
| ZMB05003 | 螺絲 | Screw (M5-0.8x7) | 2 | |
| ZMJ04033 | 螺絲 | Screw (M4-0.7x12) | 2 | |
| ZMQ06002 | 螺絲 | Screw (M6-1.0x20) | 4 | |
| ZSB06006 | 螺絲 | Screw (3/32-56x2.5) | 2 | |

0. CS-8369HS-2 釜軸座機構(10/12) HOOK SADDLE MECHANISM(10/12)

CS-8369HS-2 (左.小釜仕様)

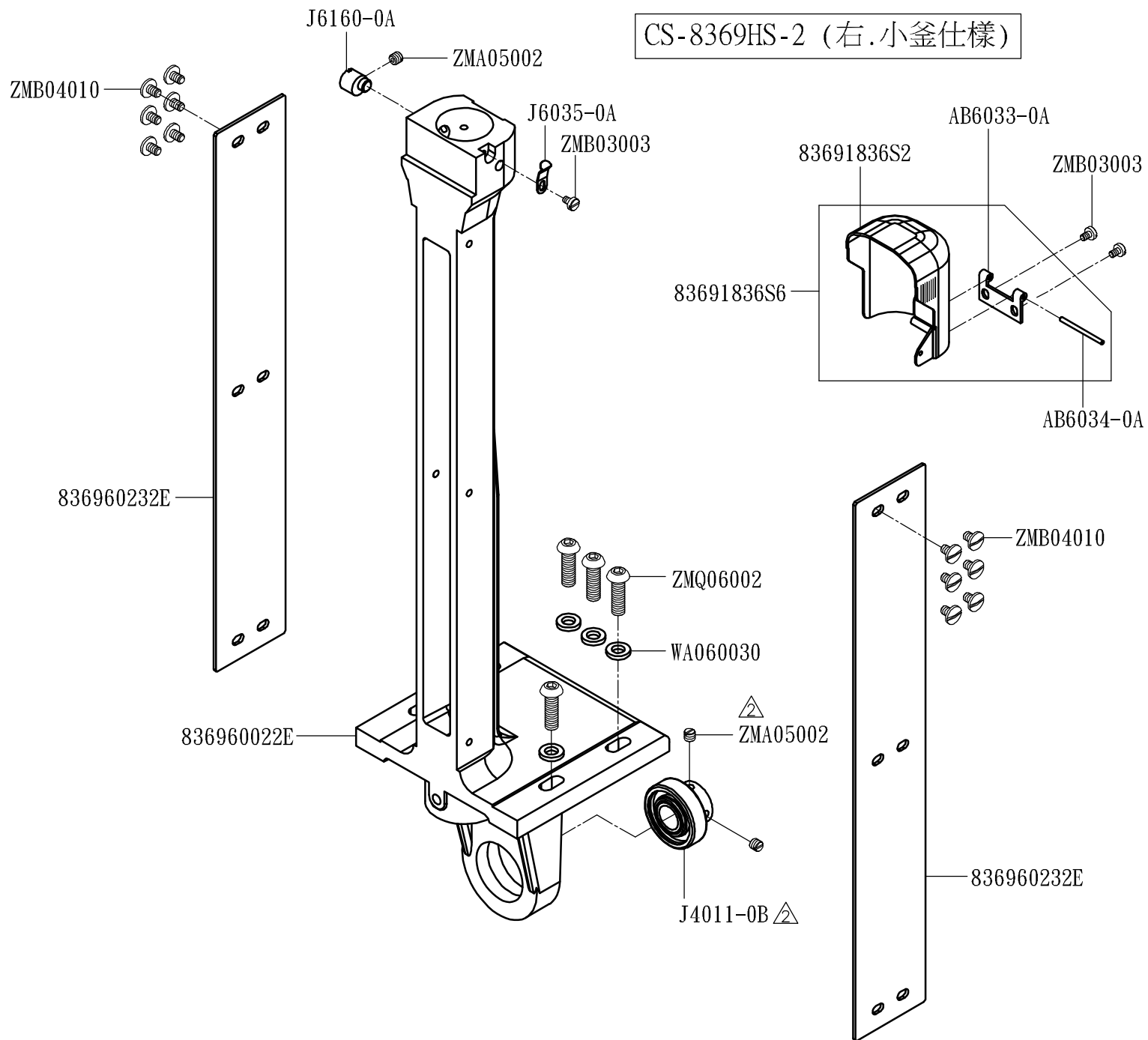


O. CS-8369HS-2 釜軸機構(10/12) HOOK SADDLE MECHANISM (10/12)

| 零件號碼 Part No. | 零件名稱 | Name of Part | 件數 Q'TY | 零件號碼 Part No. | 零件名稱 | Name of Part | 件數 Q'TY |
|------------------|-------|------------------------------|------------|------------------|------|---------------------|------------|
| 5100183200 | 梭仔 | Bobbin | 1 | ZMA06001 | 螺絲 | Screw (M6-0.75x3.5) | 2 |
| 83691724S2 | 銅齒 | Driving Wheel | 1 | ZMA06002 | 螺絲 | Screw (M6-0.75x4.5) | 6 |
| 83691851Y0 | 旋梭 | Hook | 1 | ZMB03025 | 螺絲 | Screw (M3-0.5x4) | 2 |
| 83691853Y0 | 梭殼 | Bobbin Case | 1 | ZMH04002 | 螺絲 | Screw (M4-0.7x3) | 1 |
| 83691857S4 | 釜軸中套管 | Feed Wheel Shaft | 1 | ZMH06001 | 螺絲 | Screw (M6-0.75x4) | 2 |
| 83691864Q2 | 釜軸 | Hook Shaft | 1 | ZMH06006 | 螺絲 | Screw (M6-0.75x6) | 2 |
| 83691865RT | 梭軸頭 | Hook Driver | 1 | ZMH06008 | 螺絲 | Screw (M6-1.0x6) | 1 |
| 83691868Y0 | 牛角 | Rotating Hook Opener | 1 | ZMH06010 | 螺絲 | Screw (M6-1.0x10) | 1 |
| 83691869S2 | 牛角固定座 | Driver | 1 | ZSC09007 | 螺絲 | Screw (9/64-40x28) | 1 |
| 83691870S0 | 牛角座 | Rotating Hook Opener Bracket | 1 | | | | |
| 83691880R0 | 釜軸套管 | Bushing | 1 | | | | |
| 8369188100 | 釜軸套管 | Bushing | 1 | | | | |
| BN081110 | 針狀軸承 | Needle Bearing | 2 | | | | |
| BN141710 | 針狀軸承 | Needle Bearing | 2 | | | | |
| BTM02001 | 止推軸承 | Thrust Bearing | 1 | | | | |
| J4014-0A | 定環 | Collar | 1 | | | | |
| J4025-0A | 齒輪(小) | Bevel Gear(Small) | 1 | | | | |
| J4026-0A | 齒輪(大) | Bevel Gear(Large) | 1 | | | | |
| J6165-0A | 齒輪(大) | Bevel Gear(Large) | 1 | | | | |
| J6166-0A | 齒輪(小) | Bevel Gear(Small) | 1 | | | | |
| WA089006 | 平墊圈 | Washer | 1 | | | | |
| WA089007 | 平墊圈 | Washer | 1 | | | | |
| WA089008 | 平墊圈 | Washer | 1 | | | | |
| WA089009 | 平墊圈 | Washer | 1 | | | | |
| WA089013 | 平墊圈 | Washer | 1 | | | | |
| WA149002 | 平墊圈 | Washer | 1 | | | | |
| WA149005 | 平墊圈 | Washer | 1 | | | | |
| XB400055 | 油棉 | Felt | 1 | | | | |

0. CS-8369HS-2 釜軸座機構(11/12) HOOK SADDLE MECHANISM(11/12)

CS-8369HS-2 (右.小釜仕様)

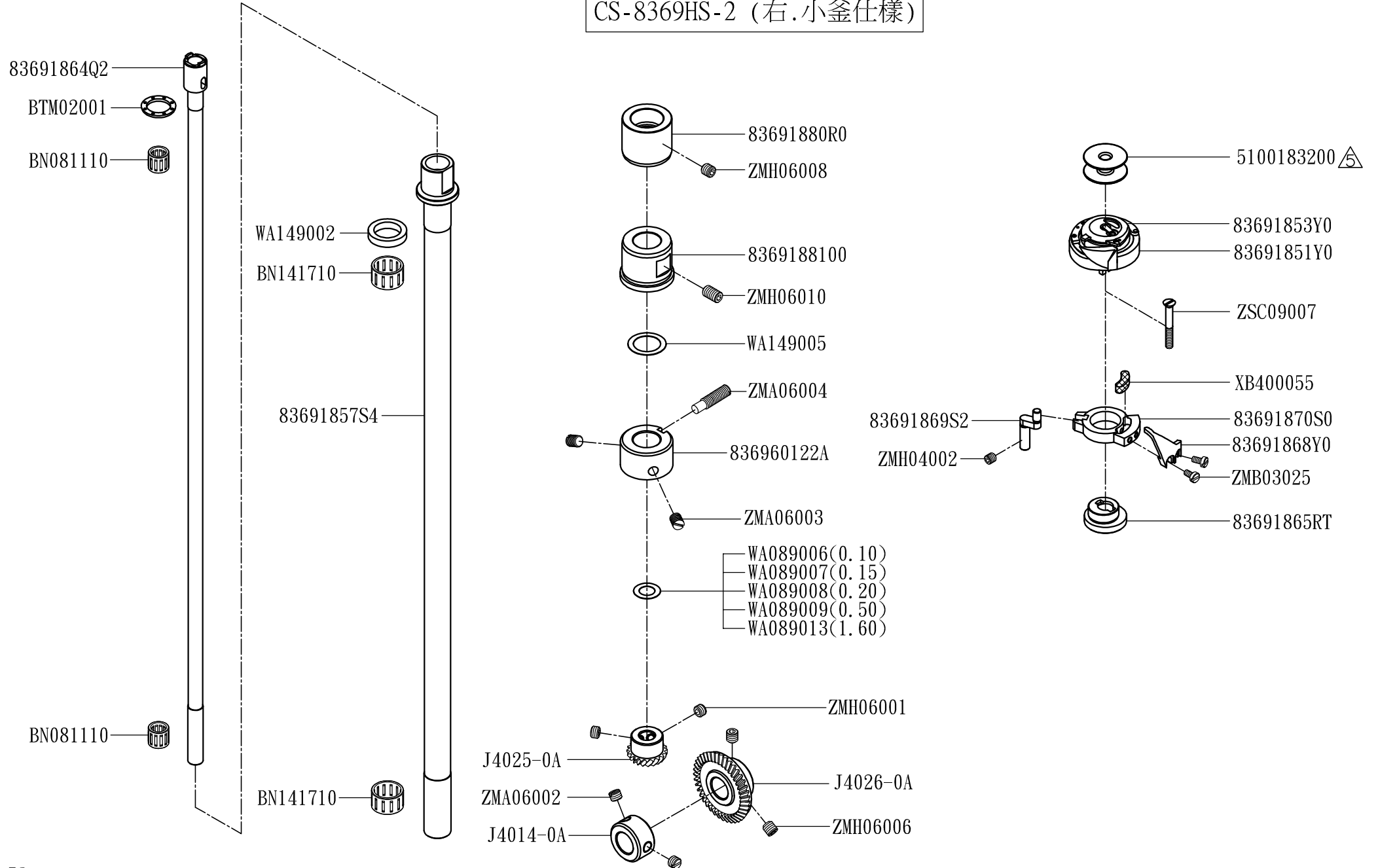


0. CS-8369HS-2 釜軸機構(11/12) HOOK SADDLE MECHANISM (11/12)

| 零件號碼 Part No | 零件名稱 | Name of Part | 件數 Q, TY | 備註 Remarks |
|-----------------|-------------|--------------------------|-------------|---------------|
| 83691836S2 | 護蓋 ----- | Post Cap ----- | 1 | |
| 83691836S6 | 釜蓋(套) ----- | Post Cap Asm. ----- | 1 | |
| 836960022E | 釜座 ----- | Hook Saddle ----- | 1 | |
| 836960232E | 釜座台蓋板 ----- | Hook Saddle Cover ----- | 2 | |
| AB6033-0A | 活動板 ----- | Hinge ----- | 1 | |
| AB6034-0A | 固定銷 ----- | Pin ----- | 1 | |
| J4011-0B | 主軸套管 ----- | Collar ----- | 2 | |
| J6035-0A | 彈簧板 ----- | Spring ----- | 1 | |
| J6160-0A | 調整銷 ----- | Stud ----- | 1 | |
| WA060030 | 平墊圈 ----- | Washer ----- | 4 | |
| ZMA05002 | 螺絲 ----- | Screw (M5-0.8x4.5) ----- | 5 | |
| ZMB03003 | 螺絲 ----- | Screw (M3-0.5x4.7) ----- | 3 | |
| ZMB04010 | 螺絲 ----- | Screw (M4-0.7x6) ----- | 12 | |
| ZMQ06002 | 螺絲 ----- | Screw (M6-1.0x20) ----- | 4 | |

0. CS-8369HS-2 釜軸座機構(12/12) HOOK SADDLE MECHANISM(12/12)

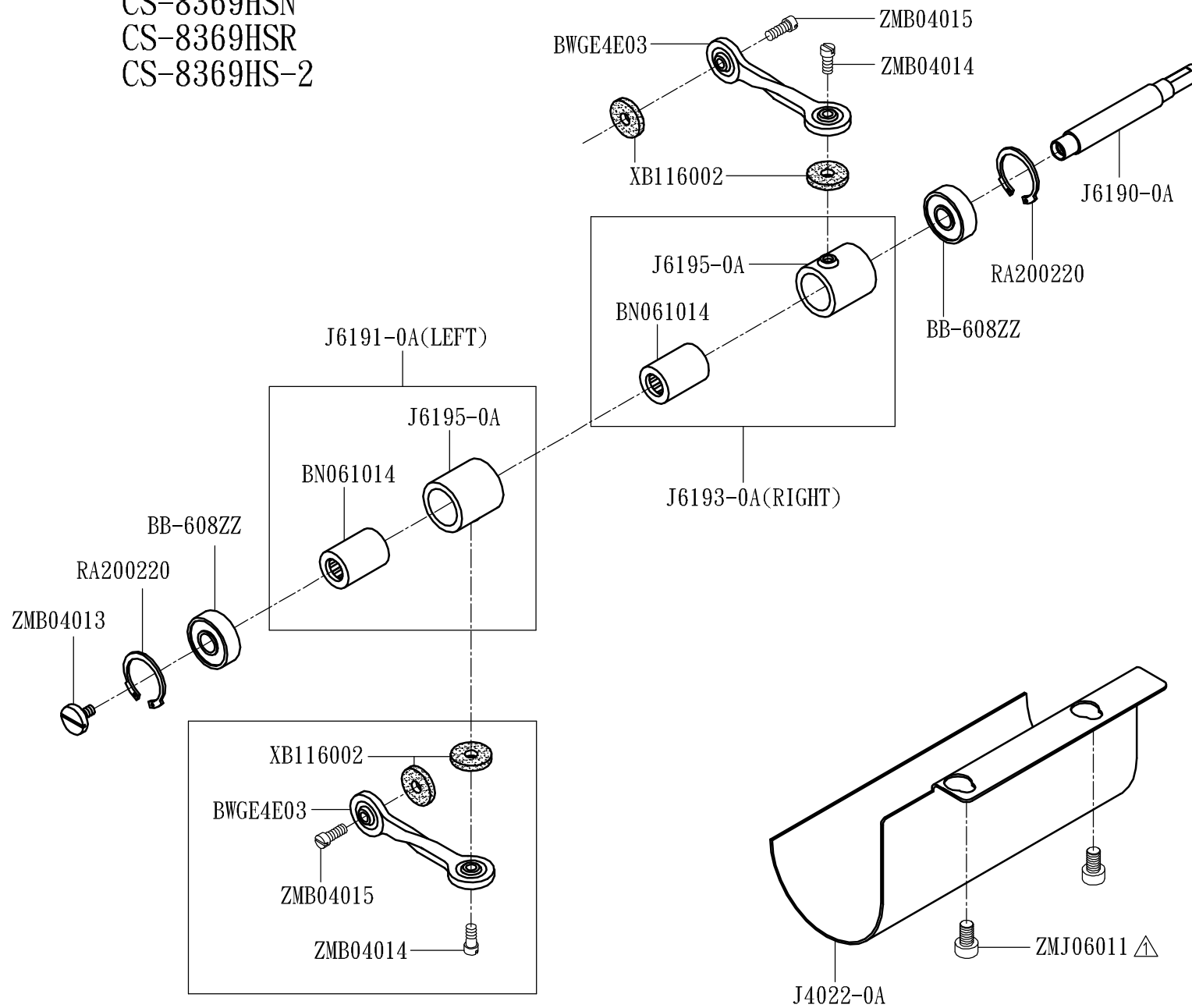
CS-8369HS-2 (右.小釜仕様)



O. CS-8369HS-2 釜軸機構(12/12) HOOK SADDLE MECHANISM (12/12)

| 零件號碼 Part No. | 零件名稱 | Name of Part | 件數 Q'TY | 零件號碼 Part No. | 零件名稱 | Name of Part | 件數 Q'TY |
|------------------|-------|------------------------------|------------|------------------|------|---------------------|------------|
| 5100183200 | 梭仔 | Bobbin | 1 | ZMA06002 | 螺絲 | Screw (M6-0.75x4.5) | 2 |
| 83691851Y0 | 旋梭 | Hook | 1 | ZMA06003 | 螺絲 | Screw (M6-0.75x7) | 2 |
| 83691853Y0 | 梭殼 | Bobbin Case | 1 | ZMA06004 | 螺絲 | Screw (M6-1.0x25) | 1 |
| 83691857S4 | 釜軸中套管 | Feed Wheel Shaft | 1 | ZMB03025 | 螺絲 | Screw (M3-0.5x4) | 2 |
| 83691864Q2 | 釜軸 | Hook Shaft | 1 | ZMH04002 | 螺絲 | Screw (M4-0.7x3) | 1 |
| 83691865RT | 梭軸頭 | Hook Driver | 1 | ZMH06001 | 螺絲 | Screw (M6-0.75x4) | 2 |
| 83691868Y0 | 牛角 | Rotating Hook Opener | 1 | ZMH06006 | 螺絲 | Screw (M6-0.75x6) | 3 |
| 83691869S2 | 牛角固定座 | Driver | 1 | ZMH06008 | 螺絲 | Screw (M6-1.0x6) | 1 |
| 83691870S0 | 牛角座 | Rotating Hook Opener Bracket | 1 | ZMH06010 | 螺絲 | Screw (M6-1.0x10) | 1 |
| 83691880R0 | 釜軸套管 | Bushing | 1 | ZSC09007 | 螺絲 | Screw (9/64-40x28) | 1 |
| 8369188100 | 釜軸套管 | Bushing | 1 | | | | |
| 836960122A | 定環 | Collar | 1 | | | | |
| BN081110 | 針狀軸承 | Needle Bearing | 2 | | | | |
| BN141710 | 針狀軸承 | Needle Bearing | 2 | | | | |
| BTM02001 | 止推軸承 | Thrust Bearing | 1 | | | | |
| J4014-0A | 定環 | Collar | 1 | | | | |
| J4025-0A | 齒輪(小) | Bevel Gear(Small) | 1 | | | | |
| J4026-0A | 齒輪(大) | Bevel Gear(Large) | 1 | | | | |
| WA089006 | 平墊圈 | Washer | 1 | | | | |
| WA089007 | 平墊圈 | Washer | 1 | | | | |
| WA089008 | 平墊圈 | Washer | 1 | | | | |
| WA089009 | 平墊圈 | Washer | 1 | | | | |
| WA089013 | 平墊圈 | Washer | 1 | | | | |
| WA149002 | 平墊圈 | Washer | 1 | | | | |
| WA149005 | 平墊圈 | Washer | 1 | | | | |
| XB400055 | 油棉 | Felt | 1 | | | | |

P. CS-8369HS 送料齒單向前進機構 FEED WHEEL SINGLE-DIRECTION DRIVING MECHANISM
 CS-8369HR
 CS-8369HSN
 CS-8369HSR
 CS-8369HS-2



P. CS-8369HS/HR/HSN/HSR/HS-2 送齒輪單向前進機構 FEED WHEEL SINGLE-DIRECTION DRIVING MECHANISM

| 零件號碼 Part No | 零件名稱 | Name of Part | 件數 Q, TY | | | | | 備註 Remarks |
|-----------------|-----------------|-----------------------------|----------|----|-----|-----|------|---------------|
| | | | HS | HR | HSN | HSR | HS-2 | |
| BB-608ZZ | 滾針軸承 ----- | Ball Bearing ----- | 2 | 2 | 2 | 2 | 2 | |
| BN061014 | 針狀軸承 ----- | Needle Bearing ----- | 2 | 2 | 2 | 2 | 2 | |
| BWGE4E03 | 球狀萬向型軸承拉桿 ---- | Link ----- | 2 | 2 | 2 | 2 | 2 | |
| J4022-0A | 齒輪護蓋 ----- | Housing Front Section ----- | 1 | 1 | 1 | 1 | 1 | |
| J6190-0A | 培林軸 ----- | Shaft ----- | 1 | 1 | 1 | 1 | 1 | |
| J6191-0A | 單向培林座組(左) ----- | Free-Wheeling (Left) ----- | 1 | 1 | 1 | 1 | 1 | |
| J6193-0A | 單向培林座組(右) ----- | Free-Wheeling (Right) ----- | 1 | 1 | 1 | 1 | 1 | |
| J6195-0A | 單向培林座 ----- | Free-Wheeling Seat ----- | 2 | 2 | 2 | 2 | 2 | |
| RA200220 | C形扣環 ----- | C-ring ----- | 2 | 2 | 2 | 2 | 2 | |
| XB116002 | 油棉 ----- | Felt ----- | 4 | 4 | 4 | 4 | 4 | |
| ZMB04013 | 螺絲 ----- | Screw (M4-0.7x8) ----- | 1 | 1 | 1 | 1 | 1 | |
| ZMB04014 | 螺絲 ----- | Screw (M4-0.7x8.5) ----- | 2 | 2 | 2 | 2 | 2 | |
| ZMB04015 | 螺絲 ----- | Screw (M4-0.7x10) ----- | 2 | 2 | 2 | 2 | 2 | |
| ZMJ06011 | 螺絲 ----- | Screw (M6-1.0x10) ----- | 2 | 2 | 2 | 2 | 2 | |

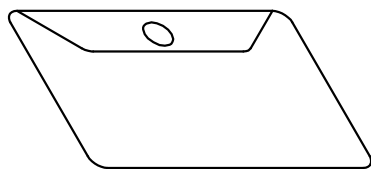
Q. CS-8369HS 附件(一) ACCESSOIRES(1)

CS-8369HR

CS-8369HSN

CS-8369HSR

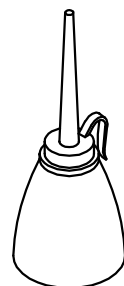
CS-8369HS-2



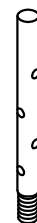
A7000-0A



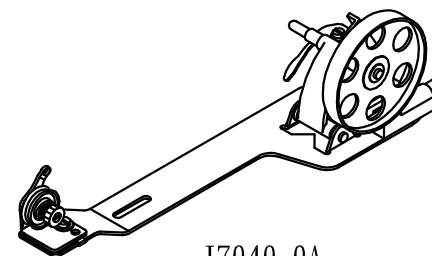
WA059003



A7012-1A



B1050-0A



J7040-0A



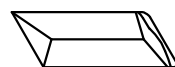
A7001-0A



ZMT05001



ZMT06001



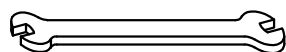
INDP×5#16



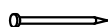
J7026-0A



ZML06001



J7200-0A



A7011-0A



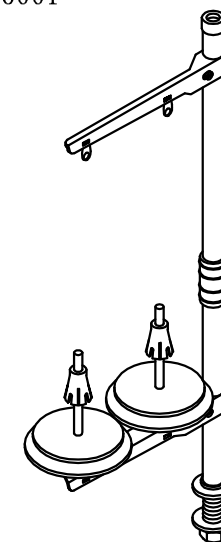
J7006-0A(普通釜)
 △ 5100183200(細筒釜)



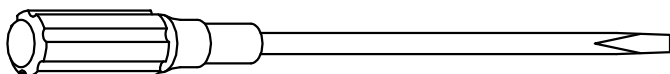
A7010-1A



A7010-0A



J7050-1A



A7010-2A

Q. CS-8369HS/HR/HSN/HSR/HS-2 附件(一) ACCESSORIES(1)

| 零件號碼 Part No | 零件名稱 | Name of Part | 件數 Q, TY | | | | | 備註 Remarks |
|-----------------|----------|-----------------------|----------|----|-----|-----|------|---------------|
| | | | HS | HR | HSN | HSR | HS-2 | |
| 5100183200 | 梭仔 | Bobbin | 4 | 0 | 4 | 4 | 4 | |
| A7000-0A | 工具袋 | Accessory Bag | 1 | 1 | 1 | 1 | 1 | |
| A7001-0A | 車頭蓋 | Vinyl Cover | 1 | 1 | 1 | 1 | 1 | |
| A7010-0A | 螺絲起子(小) | Screw Driver (Small) | 1 | 1 | 1 | 1 | 1 | |
| A7010-1A | 螺絲起子(中) | Screw Driver (Middle) | 1 | 1 | 1 | 1 | 1 | |
| A7010-2A | 螺絲起子(大) | Screw Driver (Large) | 1 | 1 | 1 | 1 | 1 | |
| A7011-0A | 鐵釘 | Nail | 10 | 10 | 10 | 10 | 10 | |
| A7012-1A | 油壺(中) | Oiler (Middle) | 1 | 1 | 1 | 1 | 1 | |
| B1050-0A | 線柱 | Spool Pin | 1 | 1 | 1 | 1 | 1 | |
| INDPx5#16 | 針 | Needle | 4 | 4 | 4 | 4 | 0 | |
| J7006-0A | 梭仔 | Bobbin | 0 | 4 | 0 | 0 | 0 | |
| J7026-0A | 橡膠墊 | Head Cushion | 2 | 2 | 2 | 2 | 2 | |
| J7040-0A | 捲線器組 | Bobbin Winder | 1 | 1 | 1 | 1 | 1 | |
| J7050-0A | 2P 線架 | Thread Stand (2-Pole) | 1 | 1 | 1 | 1 | 1 | |
| J7200-0A | 開口扳手 4x5 | Spanner | 1 | 1 | 1 | 1 | 1 | |
| WA059003 | 平墊圈 | Washer | 2 | 2 | 2 | 2 | 2 | |
| ZML06001 | 螺帽 | Nut | 1 | 1 | 1 | 1 | 1 | |
| ZMT05001 | 木螺絲 | Wood Screw | 2 | 2 | 2 | 2 | 2 | |
| ZMT06001 | 木螺絲 | Wood Screw | 3 | 3 | 3 | 3 | 3 | |

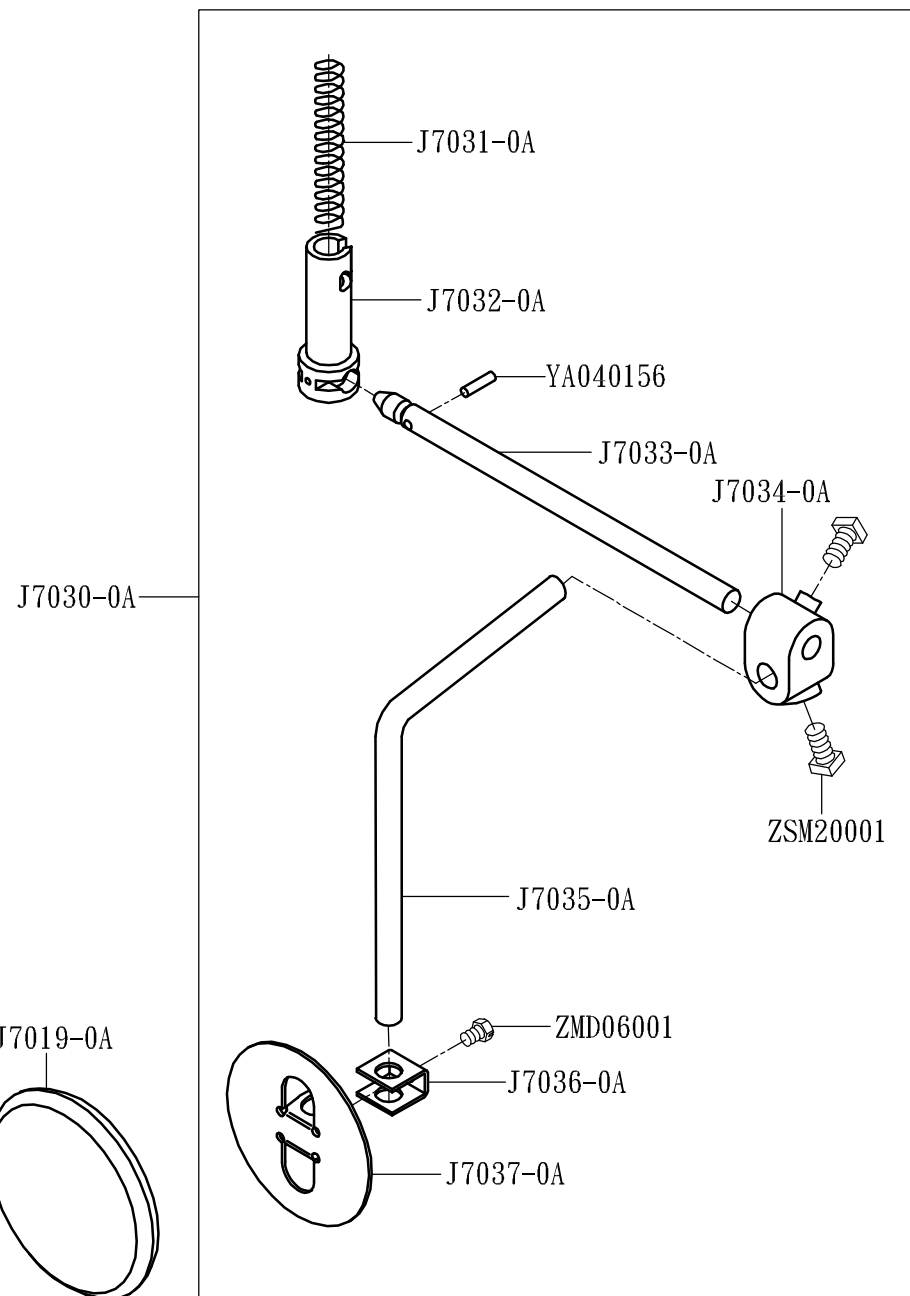
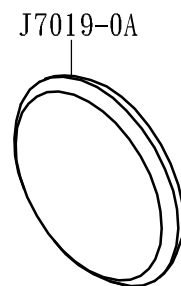
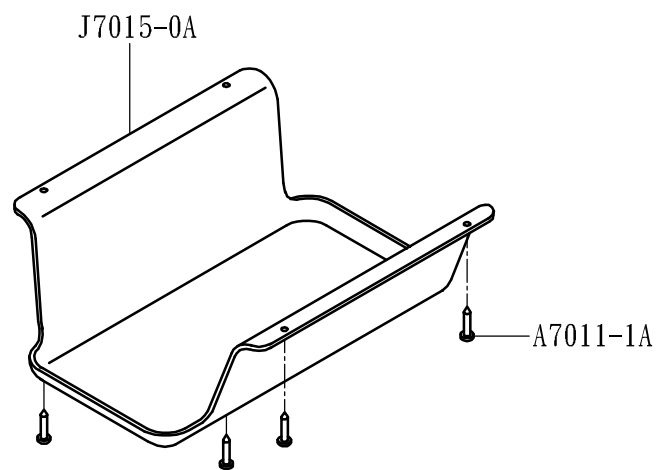
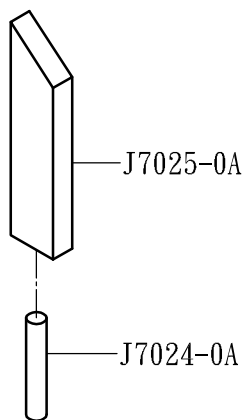
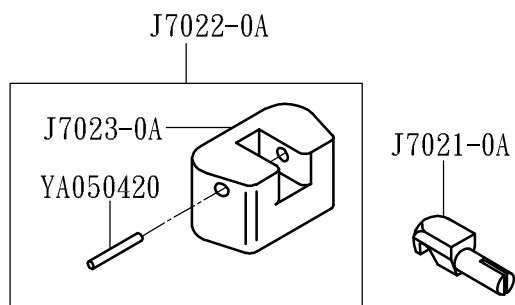
Q. CS-8369HS 附件(二) ACCESSOIRES(2)

CS-8369HR

CS-8369HSN

CS-8369HSR

CS-8369HS-2



Q. CS-8369HS/HR/HSN/HSR/HS-2 附件(二) ACCESSORIES(2)

| 零件號碼 Part No | 零件名稱 | Name of Part | 件數 Q, TY | | | | | 備註 Remarks |
|-----------------|-------|----------------------------|----------|----|-----|-----|------|---------------|
| | | | HS | HR | HSN | HSR | HS-2 | |
| A7011-4A | 鐵釘 | Nail | 4 | 4 | 4 | 4 | 4 | |
| J7015-0A | 下油槽 | Oil Pan | 1 | 1 | 1 | 1 | 1 | |
| J7019-0A | 海棉墊 | Knee Guard | 1 | 1 | 1 | 1 | 1 | |
| J7021-0A | 後扭鉤 | Hinge Pin | 2 | 2 | 2 | 2 | 2 | |
| J7022-0A | 後鈕座組 | Hinge Connection Seat Asm. | 2 | 2 | 2 | 2 | 2 | |
| J7023-0A | 後鈕座 | Hinge Connection Seat | 2 | 2 | 2 | 2 | 2 | |
| J7024-0A | 固定銷 | Housing Support Stud | 1 | 1 | 1 | 1 | 1 | |
| J7025-0A | 枕木 | Head Rest Wood | 1 | 1 | 1 | 1 | 1 | |
| J7030-0A | 腳弓組 | Knee Lifter Asm. | 1 | 1 | 1 | 1 | 1 | |
| J7031-0A | 彈簧 | Spring | 1 | 1 | 1 | 1 | 1 | |
| J7032-0A | 腳押聯桿頭 | Knee Lever Coupling | 1 | 1 | 1 | 1 | 1 | |
| J7033-0A | 腳押直桿 | Knee Lever Rod | 1 | 1 | 1 | 1 | 1 | |
| J7034-0A | 連接器 | Clamp | 1 | 1 | 1 | 1 | 1 | |
| J7035-0A | 腳押曲 | Knee Lever Rod | 1 | 1 | 1 | 1 | 1 | |
| J7036-0A | 固定支架 | Retainer | 1 | 1 | 1 | 1 | 1 | |
| J7037-0A | 腳弓大餅 | Knee Plate | 1 | 1 | 1 | 1 | 1 | |
| YA040156 | 平行銷 | Pin | 1 | 1 | 1 | 1 | 1 | |
| YA050420 | 平行銷 | Pin | 2 | 2 | 2 | 2 | 2 | |
| ZMD06001 | 螺絲 | Screw (M6-1.0x7) | 1 | 1 | 1 | 1 | 1 | |
| ZSM20001 | 螺絲 | Screw (5/16-18x15.5) | 2 | 2 | 2 | 2 | 2 | |

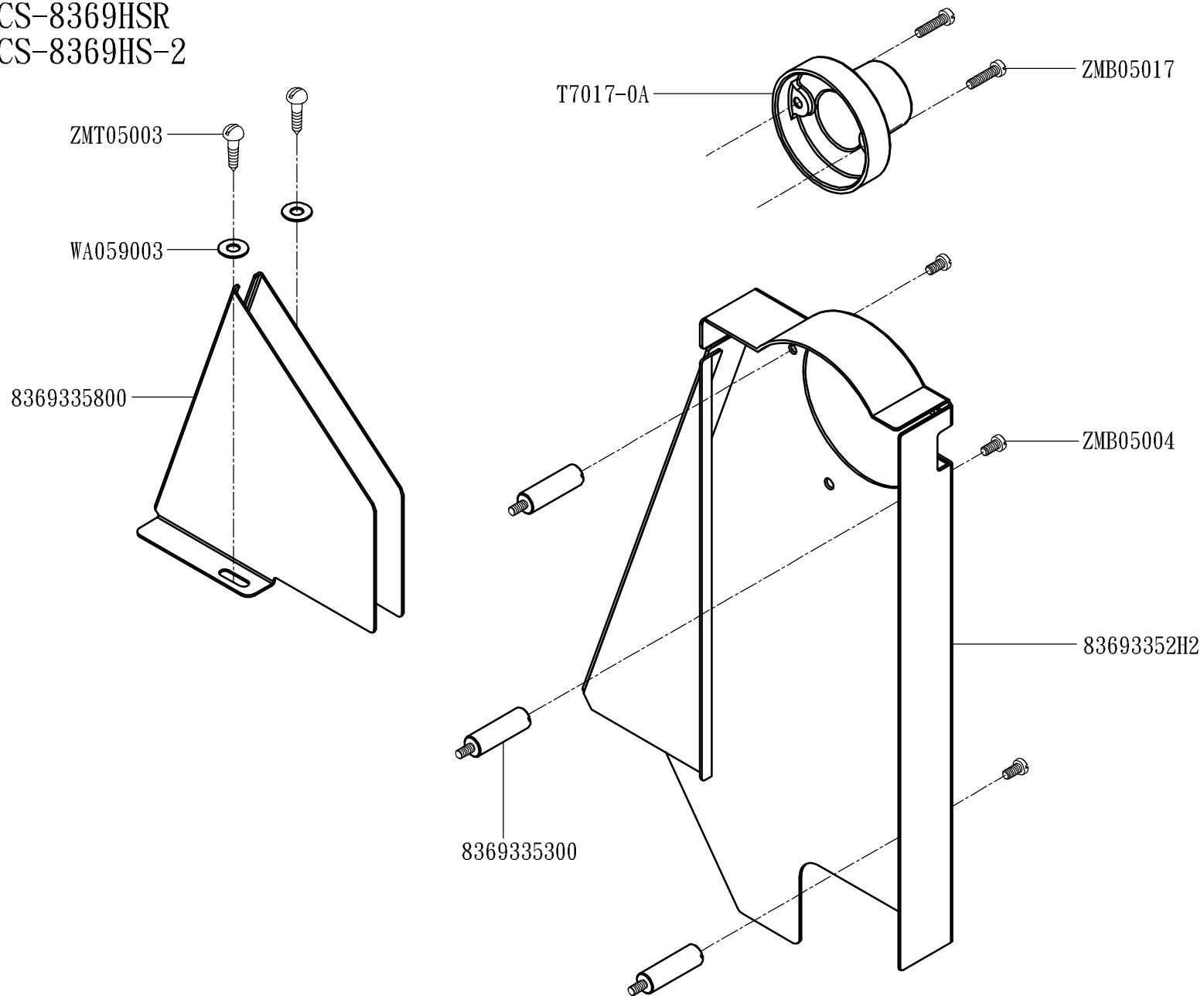
Q. CS-8369HS 附件(三) ACCESSOIRES(3)

CS-8369HR

CS-8369HSN

CS-8369HSR

CS-8369HS-2



Q. CS-8369HS/HR/HSN/HSR/HS-2 附件(三) ACCESSORIES(3)

| 零件號碼 Part No | 零件名稱 | Name of Part | 件數 Q, TY | | | | | 備註 Remarks |
|-----------------|-------------|-------------------------|----------|----|-----|-----|------|---------------|
| | | | HS | HR | HSN | HSR | HS-2 | |
| 83693352H2 | 皮帶蓋 B ----- | Belt Cover B ----- | 1 | 1 | 1 | 1 | 1 | |
| 8369335300 | 螺絲 ----- | Screw (M5-0.8) ----- | 3 | 3 | 3 | 3 | 3 | |
| 8369335800 | 皮帶蓋 D ----- | Belt Cover D ----- | 1 | 1 | 1 | 1 | 1 | |
| T7017-0A | 皮帶蓋 ----- | Belt Cover ----- | 1 | 1 | 1 | 1 | 1 | |
| WA059003 | 墊圈 ----- | Washer ----- | 2 | 2 | 2 | 2 | 2 | |
| ZMB05004 | 螺絲 ----- | Screw (M5-0.8x10) ----- | 3 | 3 | 3 | 3 | 3 | |
| ZMB05017 | 螺絲 ----- | Screw (M5-0.8x20) ----- | 2 | 2 | 2 | 2 | 2 | |
| ZMT05003 | 螺絲 ----- | Wood Screw ----- | 2 | 2 | 2 | 2 | 2 | |

R. CS-8369HS/HR/HSN/HSR/HS-2 零件號碼與頁數對照 NUMERICAL PARTS-LIST

| 零件號碼 PARTS NO. | 頁數 PAGE | 零件號碼 PARTS NO. | 頁數 PAGE | 零件號碼 PARTS NO. | 頁數 PAGE | 零件號碼 PARTS NO. | 頁數 PAGE | 零件號碼 PARTS NO. | 頁數 PAGE |
|-------------------|------------|-------------------|------------|-------------------|------------|-------------------|------------|-------------------|------------|
| 5100183200 | 32, 40, 44 | 83691690S0 | 30 | 83691860H2 | 42 | 836960002E | 46 | A7012-1A | 56 |
| 5100183200 | 48, 52, 56 | 83691690S2 | 38, 46 | 83691861H0 | 30, 34, 38 | 836960022E | 50 | AB6033-0A | 30, 34, 38 |
| 8369110400 | 30, 38 | 83691691R0 | 34 | 83691861H0 | 42 | 836960122A | 52 | AB6033-0A | 42, 46, 50 |
| 83691104R0 | 34, 42 | 83691691Y0 | 42 | 83691864N2 | 36 | 836960232E | 50 | AB6034-0A | 30, 34, 38 |
| 83691106R0 | 34 | 83691720R0 | 34, 42 | 83691864Q2 | 32, 40, 44 | 836960482C | 46 | AB6034-0A | 42, 46, 50 |
| 83691106S0 | 30 | 83691720S2 | 38, 46 | 83691864Q2 | 48, 52 | 836960502A | 46 | AB6051-0A | 30 |
| 83691106S3 | 38 | 83691724S0 | 32 | 83691865R0 | 36, 44 | 836960522C | 46 | B1027-0A | 4 |
| 83691106Y0 | 42 | 83691724S2 | 40 | 83691865RT | 32, 40, 48 | 8370131700 | 22 | B1050-0A | 56 |
| 83691112M0 | 2 | 83691724S2 | 48 | 83691865RT | 52 | 8370131704 | 22 | BB6000ZZ | 22 |
| 83691113RB | 34 | 83691836R0 | 34 | 83691868R0 | 36 | A1021-0A | 4 | BB-608ZZ | 54 |
| 83691113RC | 34 | 83691836R5 | 34 | 83691868Y0 | 32, 40, 44 | A1024-1A | 4 | BB6203ZZNR | 22 |
| 83691113RD | 34 | 83691836S0 | 30 | 83691868Y0 | 48, 52 | A1026-1A | 4 | BB6204ZZNR | 12 |
| 83691113RE | 34 | 83691836S2 | 46, 50 | 8369186900 | 32 | A1028-1A | 4 | BB-624ZZ | 10 |
| 83691113SB | 30 | 83691836S3 | 38 | 83691869R0 | 36, 44 | A1028-2A | 4 | BB-688ZZ | 10 |
| 83691113SB-3 | 38 | 83691836S5 | 30 | 83691869S2 | 48, 52 | A1030-0A | 4 | BBW688ZZ | 8 |
| 83691113SC | 30 | 83691836S6 | 46, 50 | 83691869S3 | 40 | A1031-0A | 4 | BN061014 | 6, 54 |
| 83691113SC-3 | 38 | 83691836S7 | 38 | 83691870R0 | 36 | A1032-0A | 4 | BN071008 | 10 |
| 83691113SD | 30 | 83691836Y0 | 42 | 83691870S0 | 32, 48, 52 | A1033-0A | 4 | BN081110 | 14, 16, 24 |
| 83691113SD-3 | 38 | 83691836Y5 | 42 | 83691870S3 | 40 | A1034-0A | 4 | BN081110 | 32, 36, 40 |
| 83691113SE | 30 | 83691851Y0 | 32, 40, 44 | 83691870Y0 | 44 | A1035-0A | 4 | BN081110 | 44, 48, 52 |
| 83691113SE-3 | 38 | 83691851Y0 | 48, 52 | 83691871R0 | 34, 42 | A1036-0A | 4 | BN081113 | 36, 44 |
| 83691113YB | 42 | 83691853Y0 | 48, 52 | 83691880R0 | 32, 36, 44 | A1038-0A | 4 | BN141710 | 32, 36, 40 |
| 83691113YC | 42 | 83691857J2 | 32 | 83691880R0 | 48, 52 | A1055-0A | 2 | BN141710 | 44, 48, 52 |
| 83691113YD | 42 | 83691857N2 | 36 | 83691880S3 | 40 | A1076-0A | 16 | BN151917 | 14, 18, 26 |
| 83691113YE | 42 | 83691857S4 | 40, 48, 52 | 8369188100 | 32, 36, 40 | A7000-0A | 56 | BN242810 | 14 |
| 83691310H2 | 22 | 83691857X2 | 44 | 8369188100 | 44, 48, 52 | A7001-0A | 56 | BNFJ-1010W | 10 |
| 83691315M4 | 22 | 83691859J0 | 30 | 83692711H3 | 16 | A7010-0A | 56 | BTM02001 | 32, 36, 40 |
| 83691315M5 | 22 | 83691859J3 | 38 | 83693352H2 | 60 | A7010-1A | 56 | BTM02001 | 44, 48, 52 |
| 83691657R0 | 34 | 83691859N0 | 34 | 8369335300 | 60 | A7010-2A | 56 | BWGE4E01 | 6 |
| 83691657Y0 | 42 | 83691859Q0 | 42 | 8369335800 | 60 | A7011-0A | 56 | BWGE4E03 | 54 |
| 83691690R0 | 34, 42 | 83691860H2 | 30, 34, 38 | 83693430H2 | 16 | A7011-4A | 58 | BWGE4E04 | 6 |

R. CS-8369HS/HR/HSN/HSR/HS-2 零件號碼與頁數對照 NUMERICAL PARTS-LIST

| 零件號碼 PARTS NO. | 頁數 PAGE | 零件號碼 PARTS NO. | 頁數 PAGE | 零件號碼 PARTS NO. | 頁數 PAGE | 零件號碼 PARTS NO. | 頁數 PAGE | 零件號碼 PARTS NO. | 頁數 PAGE |
|-------------------|------------|-------------------|------------|-------------------|------------|-------------------|------------|-------------------|------------|
| BW-GE-8E | 6 | J1103-0B | 12 | J1425-0A | 14 | J4014-0A | 44, 48, 52 | J4337-0A | 28 |
| INDPx5#16 | 16, 56 | J1105-0A | 12 | J1427-0B | 14, 16 | J4017-0B | 24 | J4338-0A | 28 |
| J1011-0A | 20 | J1106-0A | 12 | J1428-0A | 14 | J4022-0A | 54 | J4339-0A | 28 |
| J1026-0A | 4 | J1181-0A | 20 | J1430-0A | 14, 16 | J4025-0A | 32, 36, 40 | J4340-0A | 28 |
| J1026-3A | 4 | J1183-0A | 20 | J1431-0A | 14, 16 | J4025-0A | 44, 48, 52 | J4341-0A | 28 |
| J1041-0A | 2 | J1185-0A | 20 | J1481-0A | 16 | J4026-0A | 32, 36, 40 | J4360-0A | 2 |
| J1051-0A | 2 | J1200-0A | 20 | J1482-0A | 16 | J4026-0A | 44, 48, 52 | J4365-0A | 2 |
| J1052-0A | 2 | J1205-0A | 20 | J1483-0A | 16 | J4040-0A | 26 | J6035-0A | 30, 34, 38 |
| J1060-0A | 10 | J1206-0A | 20 | J1484-0A | 16 | J4042-0A | 26 | J6035-0A | 42, 46, 50 |
| J1061-0A | 10 | J1211-0A | 20 | J1485-0A | 16 | J4043-0A | 26 | J6036-0A | 30, 34, 38 |
| J1063-0A | 2 | J1212-0A | 20 | J1486-0A | 16 | J4045-0A | 26 | J6036-0A | 42 |
| J1064-0A | 10 | J1213-0A | 8 | J1500-0A | 6 | J4046-0A | 26 | J6100-0A | 36 |
| J1065-0A | 10 | J1213-1A | 8 | J1501-0A | 6 | J4047-0B | 16, 24 | J6105-0A | 36 |
| J1065-1A | 10 | J1213-3A | 8 | J1510-0A | 8 | J4280-0A | 24 | J6159-0B | 36, 44 |
| J1066-0A | 10 | J1218-0A | 20 | J1510-1A | 8 | J4281-0A | 24 | J6160-0A | 30, 34, 38 |
| J1067-0A | 10 | J1219-0A | 20 | J1510-3A | 8 | J4282-0A | 24 | J6160-0A | 42, 46, 50 |
| J1068-0A | 10 | J1242-0B | 12 | J1511-0A | 8 | J4283-0A | 24 | J6165-0A | 32, 36, 40 |
| J1069-0A | 10 | J1270-0A | 20 | J1511-1A | 8 | J4284-0A | 24 | J6165-0A | 44, 48 |
| J1073-0A | 18 | J1300-0A | 20 | J1511-3A | 8 | J4285-0A | 24 | J6166-0A | 32, 36, 40 |
| J1074-0A | 10 | J1301-0A | 20 | J1512-0A | 8 | J4286-0A | 24 | J6166-0A | 44, 48 |
| J1075-010A | 16 | J1305-0A | 20 | J1513-0A | 8 | J4287-0A | 24 | J6190-0A | 54 |
| J1077-0A | 2 | J1306-0A | 20 | J1514-0A | 8 | J4320-0A | 28 | J6191-0A | 54 |
| J1079-0A | 16 | J1335-0A | 18 | J1514-1A | 8 | J4321-0B | 22 | J6193-0A | 54 |
| J1081-0A | 18 | J1340-0A | 18 | J1515-0A | 8 | J4323-0B | 22 | J6195-0A | 54 |
| J1082-0A | 18 | J1341-0A | 14, 18, 26 | J1515-1A | 8 | J4330-0A | 28 | J7006-0A | 36, 56 |
| J1090-0A | 18 | J1341-1A | 18 | J3010-0A | 22 | J4331-0A | 28 | J7015-0A | 58 |
| J1093-0A | 18 | J1343-0A | 14, 18, 26 | J3030-0A | 22 | J4332-0A | 28 | J7019-0A | 58 |
| J1097-0A | 12 | J1344-0A | 18 | J4010-0A | 28 | J4333-0A | 28 | J7021-0A | 58 |
| J1098-0A | 12 | J1345-0A | 14, 18, 26 | J4011-0B | 30, 34, 38 | J4334-0A | 28 | J7022-0A | 58 |
| J1099-0A | 12 | J1420-0A | 14 | J4011-0B | 42, 46, 50 | J4335-0A | 28 | J7023-0A | 58 |
| J1100-0A | 12 | J1424-0A | 26 | J4014-0A | 32, 36, 40 | J4336-0A | 28 | J7024-0A | 58 |

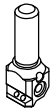
R. CS-8369HS/HR/HSN/HSR/HS-2 零件號碼與頁數對照 NUMERICAL PARTS-LIST

| 零件號碼 PARTS NO. | 頁數 PAGE | 零件號碼 PARTS NO. | 頁數 PAGE | 零件號碼 PARTS NO. | 頁數 PAGE | 零件號碼 PARTS NO. | 頁數 PAGE | 零件號碼 PARTS NO. | 頁數 PAGE |
|-------------------|------------|-------------------|------------|-------------------|------------|-------------------|------------|-------------------|------------|
| J7025-0A | 58 | T1020-1A | 4 | WA089009 | 44, 48, 52 | ZMA06001 | 44, 48 | ZMB05003 | 2, 20, 30 |
| J7026-0A | 56 | T1027-1A | 4 | WA089013 | 32, 36, 40 | ZMA06002 | 26, 32, 36 | ZMB05003 | 34, 38, 42 |
| J7030-0A | 58 | T1037-0A | 4 | WA089013 | 44, 48, 52 | ZMA06002 | 40, 44, 48 | ZMB05003 | 46 |
| J7031-0A | 58 | T1043-0B | 4 | WA089015 | 8 | ZMA06002 | 52 | ZMB05004 | 2, 26, 60 |
| J7032-0A | 58 | T1070-0A | 16 | WA099002 | 6 | ZMA06003 | 12, 28, 52 | ZMB05005 | 14, 18 |
| J7033-0A | 58 | T1070-1A | 16 | WA099003 | 6 | ZMA06004 | 52 | ZMB05006 | 16 |
| J7034-0A | 58 | T1180-0A | 20 | WA099004 | 6 | ZMA06005 | 16 | ZMB05017 | 60 |
| J7035-0A | 58 | T1320-0A | 12, 22 | WA099005 | 6 | ZMA07001 | 12 | ZMB06003 | 18 |
| J7036-0A | 58 | T1322-0A | 12 | WA129001 | 16 | ZMB03001 | 34, 42 | ZMB06007 | 6 |
| J7037-0A | 58 | T1505-0A | 6 | WA149002 | 32, 36, 40 | ZMB03002 | 16 | ZMB07001 | 12 |
| J7040-0A | 56 | T4130-0A | 22 | WA149002 | 44, 48, 52 | ZMB03003 | 30, 34, 38 | ZMC02505 | 8 |
| J7050-0A | 56 | T4300-0A | 24 | WA149005 | 32, 36, 40 | ZMB03003 | 42, 46, 50 | ZMC04018 | 30, 34, 38 |
| J7200-0A | 56 | T4301-0A | 24 | WA149005 | 44, 48, 52 | ZMB03004 | 32, 36, 44 | ZMC04018 | 42 |
| OBM00020 | 8 | T4371-0A | 24 | WA159001 | 14, 26 | ZMB03025 | 40, 48, 52 | ZMC05001 | 2 |
| RA200160 | 6, 8 | T4377-0A | 24 | XB110002 | 18 | ZMB04006 | 18 | ZMC05002 | 36 |
| RA200220 | 54 | T4378-0A | 24 | XB116002 | 6, 54 | ZMB04009 | 18 | ZMC06001 | 12 |
| RB200120 | 16 | T7017-0A | 60 | XB314001 | 18 | ZMB04010 | 2, 30, 50 | ZMC06002 | 12 |
| RB200150 | 26 | WA029002 | 8 | XB400002 | 18 | ZMB04011 | 4 | ZMD04002 | 10 |
| RB200170 | 22 | WA029003 | 8 | XB400055 | 32, 36, 40 | ZMB04012 | 16 | ZMD05001 | 10 |
| RB200240 | 14 | WA029004 | 8 | XB400055 | 44, 48, 52 | ZMB04013 | 54 | ZMD05003 | 26 |
| RB300080 | 8 | WA059003 | 56, 60 | YA015060 | 28 | ZMB04014 | 54 | ZMD06001 | 58 |
| RB300120 | 28 | WA060030 | 46, 50 | YA025117 | 8 | ZMB04015 | 4, 6, 54 | ZMG02502 | 8 |
| RB500080 | 10 | WA069001 | 22 | YA040156 | 58 | ZMB04016 | 2 | ZMG06004 | 20 |
| RC100085 | 8 | WA089005 | 10 | YA050168 | 16 | ZMB04016 | 14, 26 | ZMG06005 | 24 |
| RE000030 | 28 | WA089006 | 32, 36, 40 | YA050420 | 58 | ZMB04017 | 2 | ZMH04001 | 2 |
| RE000040 | 16, 28 | WA089006 | 44, 48, 52 | YB040025 | 18 | ZMB04029 | 38 | ZMH04002 | 12 |
| RE000070 | 24 | WA089007 | 32, 36, 40 | ZMA02501 | 8 | ZMB04030 | 34, 42 | ZMH04002 | 48, 52 |
| RE000080 | 6 | WA089007 | 44, 48, 52 | ZMA05002 | 22, 28, 30 | ZMB04035 | 8, 20 | ZMH05002 | 20, 30, 34 |
| T1010-0A | 2 | WA089008 | 32, 36, 40 | ZMA05002 | 34, 38, 42 | ZMB04044 | 34, 42 | ZMH05002 | 38, 42 |
| T1012-0A | 2 | WA089008 | 44, 48, 52 | ZMA05002 | 46, 50 | ZMB04073 | 46 | ZMH05003 | 10 |
| T1020-0A | 4 | WA089009 | 32, 36, 40 | ZMA06001 | 32, 36, 40 | ZMB04107 | 40 | ZMH06001 | 32, 36, 40 |

R. CS-8369HS/HR/HSN/HSR/HS-2 零件號碼與頁數對照 NUMERICAL PARTS-LIST

| 零件號碼 PARTS NO. | 頁數 PAGE | 零件號碼 PARTS NO. | 頁數 PAGE | 零件號碼 PARTS NO. | 頁數 PAGE | 零件號碼 PARTS NO. | 頁數 PAGE | 零件號碼 PARTS NO. | 頁數 PAGE |
|-------------------|------------|-------------------|------------|-------------------|------------|-------------------|------------|-------------------|------------|
| ZMH06001 | 44, 48, 52 | ZML06001 | 16, 56 | | | | | | |
| ZMH06002 | 12, 22 | ZMN06001 | 4 | | | | | | |
| ZMH06003 | 20 | ZMQ06002 | 46, 50 | | | | | | |
| ZMH06004 | 12, 22, 24 | ZMT05001 | 56 | | | | | | |
| ZMH06006 | 28, 32, 36 | ZMT05003 | 60 | | | | | | |
| ZMH06006 | 40, 44, 48 | ZMT06001 | 56 | | | | | | |
| ZMH06006 | 52 | ZSB06001 | 4 | | | | | | |
| ZMH06007 | 14, 18, 20 | ZSB06003 | 4 | | | | | | |
| ZMH06007 | 26 | ZSB06006 | 30, 34, 38 | | | | | | |
| ZMH06008 | 12, 32, 36 | ZSB06006 | 42, 46 | | | | | | |
| ZMH06008 | 40, 44, 48 | ZSB08008 | 16 | | | | | | |
| ZMH06008 | 52 | ZSB08025 | 16 | | | | | | |
| ZMH06010 | 30, 32, 34 | ZSB09037 | 24 | | | | | | |
| ZMH06010 | 36, 38, 40 | ZSB11040 | 24 | | | | | | |
| ZMH06010 | 42, 44, 48 | ZSB11041 | 24 | | | | | | |
| ZMH06010 | 52 | ZSC09007 | 32, 40, 44 | | | | | | |
| ZMH06013 | 28 | ZSC09007 | 48, 52 | | | | | | |
| ZMJ04001 | 20 | ZSD15007 | 22 | | | | | | |
| ZMJ04033 | 46 | ZSG09004 | 4 | | | | | | |
| ZMJ05002 | 12 | ZSG09005 | 4 | | | | | | |
| ZMJ05008 | 14 | ZSL09001 | 4 | | | | | | |
| ZMJ05010 | 2 | ZSL09002 | 24 | | | | | | |
| ZMJ05017 | 2 | ZSM20001 | 58 | | | | | | |
| ZMJ06001 | 16 | ZSN16002 | 4 | | | | | | |
| ZMJ06002 | 30, 34, 38 | | | | | | | | |
| ZMJ06002 | 42 | | | | | | | | |
| ZMJ06011 | 2, 54 | | | | | | | | |
| ZMK05002 | 24 | | | | | | | | |
| ZMK06002 | 20 | | | | | | | | |
| ZMK08003 | 20 | | | | | | | | |
| ZML05002 | 24 | | | | | | | | |

△ CS-8369HS-2 針位圖號詳表 GAUGE PARTS LIST

| |  |  |  | |
|------|---|---|---|----|
| 針位規格 | 針留 | 針板 | 小針板 | 備註 |
| 1.6 | J1075-010A | 836960482C | 836960502A(圓孔) | |
| 2.0 | J1075-010A | 83696048C020 | 836960502B(圓孔) | |
| 2.0 | J1075-010A | 83696048C020 | 836960503B(水滴孔) | |
| 2.4 | J1075-010A | 83696048C020 | 836960502E(圓孔) | |
| 2.8 | J1075-020A | 83696048C020 | 836960502C(圓孔) | |
| 3.0 | J1075-040A(水平) | 83696048C030 | 836960503D | |