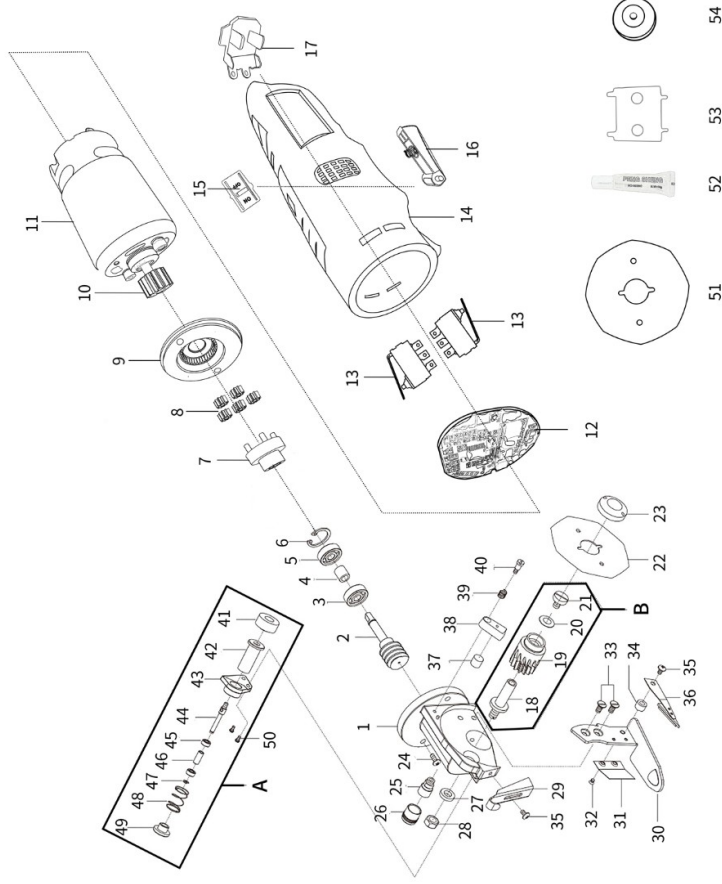


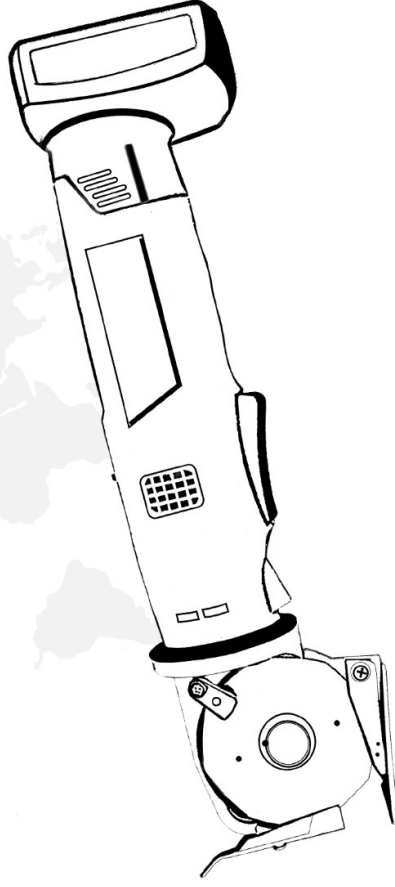
BREAKDOWN DRAWING



Ref.no.	Description	Ref.no.	Description	Ref.no.	Description
1	Gear Housing	17	Power Socket	49	Grinder Button
2	Drive Gear	18	Worm Wheel Shaft	50	Standard Screw
3	Bearing	19	Worm Wheel	51	Blade
4	Collar	20	Brass Washer	52	Grease Oil
5	Bearing	21	Screw	53	Spanner
6	Shaft Ring	22	Blade	54	Grinder Wheel
7	Planet Carrier	23	Blade Nut		
8	Planetary Tooth	24	Standard Screw	A	Grinding Wheel set
9	Outer Gear ring	25	Oil Cup	B	Worm Wheel
10	Sun Gear	26	Oil Cup Cover		
11	Motor	27	Washer		
12	Line Protection Board	28	Nut		
13	Switch	29	Safe Guard		
14	Body/Shell	30	Press Foot		
15	Power Switch	31	Guide Plate		
16	Start Switch	32	Standard Screw		
		33	Standard Screw		
		34	Collar		
		35	Standard Screw		
		36	Lower Knife		
		37	Oil Felt		
		38	Knife Oiler		
		39	Spring For Oiler		
		40	Screw For Oiler		
		41	Grinder Wheel		
		42	Grinder Wheel Shaft		
		43	Grinder Wheel Shaft		
		44	Grinder Shaft		
		45	Bearing		
		46	Collar		
		47	Shaft Ring		
		48	Spring		

INSTRUCTIONS

INDUSTRIAL LITHIUM ROUNDKNIFE CUTTING MACHINE



CB-70