

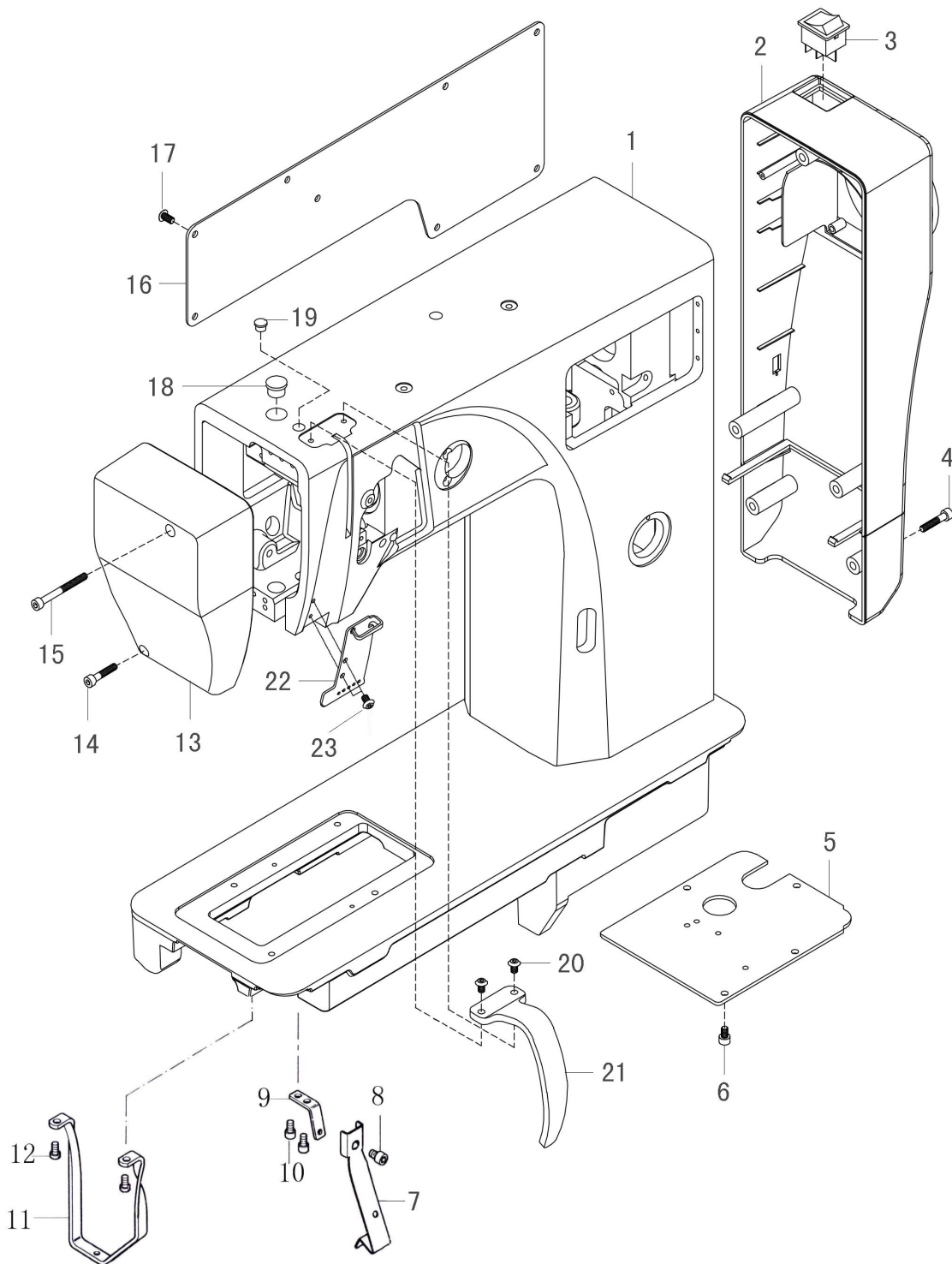
POST BED COMPOUND FEED SEWING
MACHINE WITH STEP MOTOR

PARTS MANUAL
零件手册

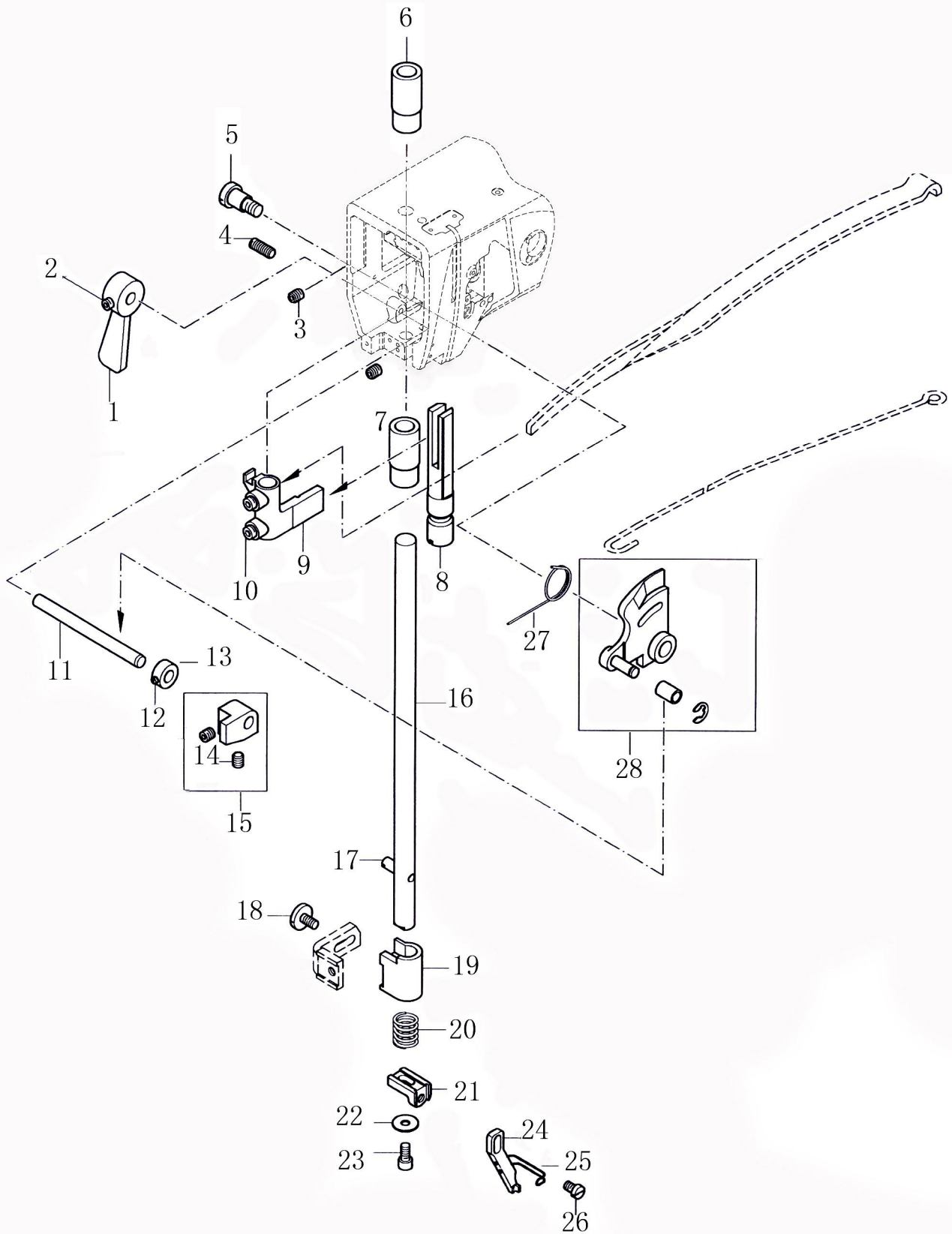
CONTENT 目录

A. Arm bed and its accessories 机壳部件.....	2
B. Presser bar parts 压杆部件.....	4
C. Needle bar holder parts 针棒座部件.....	6
D. Thread tension regulator parts 夹线调节器部件.....	8
E. Main shaft driving parts 主动轴传动部件.....	10
F. Needle feed parts 针送料部件.....	12
G. Presser foot lifting parts 压脚提升部件.....	14
H. Bobbin winder parts 绕线器部件.....	16
I. Bed plate feed parts for 2 needle 双针中座部件.....	18
J. Lower feed and clutch set parts 下送料及离合器部件	20
K. Oil lubrication parts 润滑部件.....	22
L. Hook parts (Left)旋梭勾线、剪线部件（左）	24
M. Side bracket parts (Left)边座部件（左）	26
N. Hook parts (Right)旋梭勾线、剪线部件（右）	28
O. Side bracket parts (Right)边座部件（右）	30
P. Side bracket parts (Short thread end)边座部件（短线头）	32
Q. Thread trimming parts (Short thread end)剪线部件（短线头）	34
R. Bed plate feed parts 单针中座部件.....	36
S. Thread trimming solenoid, thread releasing solenoid parts 剪线、松线电磁铁部件...38	
T. Thread trimming driving parts 剪线传动部件.....	40
U. Presser foot lifting solenoid parts 压脚提升电磁铁部件.....	42
V. Upper feed parts for 1 needle 上送料部件（单针）	44
W. Upper feed parts for 2 needle 上送料部件（双针）	46
X. Electric control, backstitch lever parts 电控及倒缝扳手部件.....	48
Y. Accessories 附件.....	50
Z1. Thread trimming mechanism(Big hole)剪线机构（大梭）	52
Z2. Right side bracket mechanism(Big hole)右边座机构（大梭）	54

A. Arm bed and its accessories 机壳部件



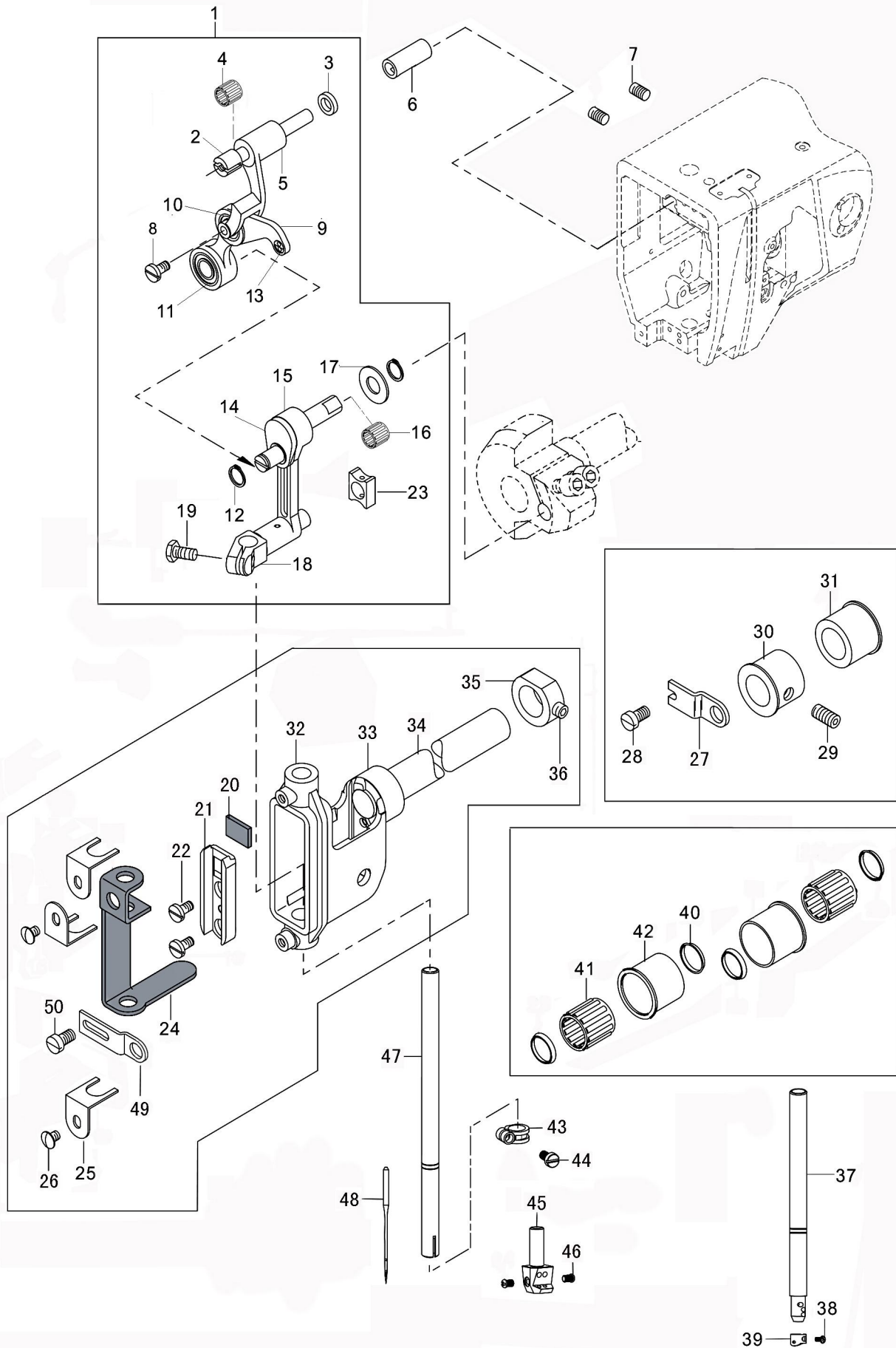
B. Presser bar parts 压杆部件



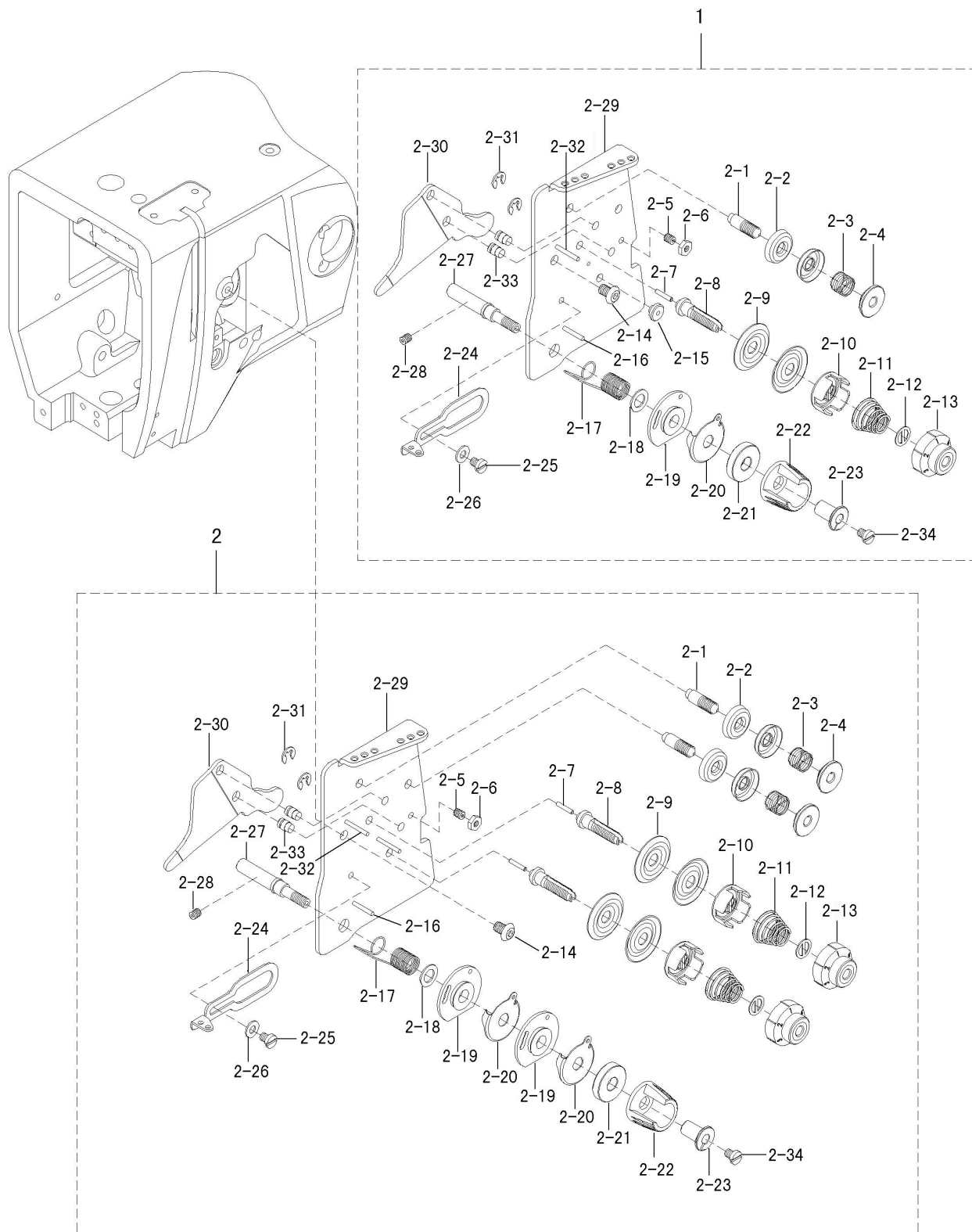
C. Needle bar holder parts 针棒座部件

No.	Part No.	Name	名称	1NEEDLE	2NEEDLE
1	7.02.01.353	Thread take-up assy.	天秤组件	1	1
2	7.02.10.462	Thread take-up fixed pin	天秤固定销	1	1
3		Plastic stop ring	塑料挡圈	2	2
4	7.02.04.005	Needle bearing	滚针轴承	2	2
5	7.02.05.003	Thread take-up holder	天秤固定架	1	1
6	7.02.08.476	Thread take-up shaft bushing	天秤轴套管	1	1
7	7.02.15.049	Set screw	紧定螺钉 GB/T 80 M5×8	2	2
8	7.02.15.065	Screw	螺钉 (单针天秤组件自带)	0	1
9	7.02.05.004	Thread take-up lever	天秤杆	1	1
10	7.02.04.004	Bearing	轴承 624-2Z	1	1
11	7.02.04.003	Bearing	轴承 628/8-2Z	1	1
12	7.02.18.030	Elastic retaining ring	轴用弹性挡圈 GB/T 894.1 8	2	2
13		Thread path	线道	1	1
14	7.02.06.001	Thread take-up crank	天秤曲柄	1	1
15	7.02.05.005	Needle bar connector	针棒连接器	1	1
16	7.02.04.006	Needle bearing	滚针轴承 HK 1010	1	1
17	7.02.18.009	Washer	垫圈	1	1
18	7.02.05.006	Needle bar fixer	针棒固定器	1	1
19	7.02.15.066	Screw	螺钉 M5×10	1	1
20	7.02.16.011	Oil felt	油棉	1	1
21	7.02.12.001	Needle bar connector guide slot	针棒连接器导槽	1	1
22	7.02.15.021	Guide slot screw	导槽螺钉 M4×6	2	2
23	7.02.12.002	Needle bar guide slide block	针棒导引滑块	1	1
24	7.02.16.012	Oil felt	油棉	1	1
25	7.02.17.005	Oil felt holder	油棉压板	3	3
26	7.02.15.022	Oil felt pressing plate screw	油棉压板螺钉 M4×4.5	2	2
27	7.02.17.001	Fixed plate of needle bar holder	针棒座固定板		1
28	7.02.15.022	Fixed plate screw	固定板螺钉 M4		1
29	7.02.15.064	Set screw	紧定螺钉 M6×12		1
30	7.02.08.025	Bushing	套管		1
31	7.02.08.026	Bushing	套管		1
32	7.02.13.522	Needle bar holder	针棒座	1	1
33	7.02.10.012	Pin	锥销	1	1
34	7.02.03.007	Main shaft	针送主轴	1	1
35	7.02.09.001	Collar	定环	1	1
36	7.02.15.054	Set screw	紧定螺钉 M6×0.75×5	1	1
37	7.02.03.006	Needle bar	针棒	1	
38	7.02.15.019	Needle clamp screw	针夹螺钉 M3×4	1	
39	7.02.14.005	Needle bar thread stand	针棒线挂		
40	7.02.18.002	Disk type washer	盘形垫圈	2	
41	7.02.04.010	Needle bearing	滚针轴承 K 15×19×17	2	
42	7.02.08.004	Bushing	套管	2	
43	7.02.08.024	Needle clamp bushing	针夹套管		1
44	7.02.15.040	Bushing screw	套管螺钉		1
45	7.02.02.503	Needle holder	针榴		1
46		Needle holder screw	针榴螺钉		2
47	7.02.03.018	Needle bar	针棒		1
48	7.02.21.016	Needle	机针	1	2
49	7.02.11.626	Vibrating needle stopper plate	摆针限位板	1	
50	7.02.15.964	Stopper plate screw	限位板螺钉	1	

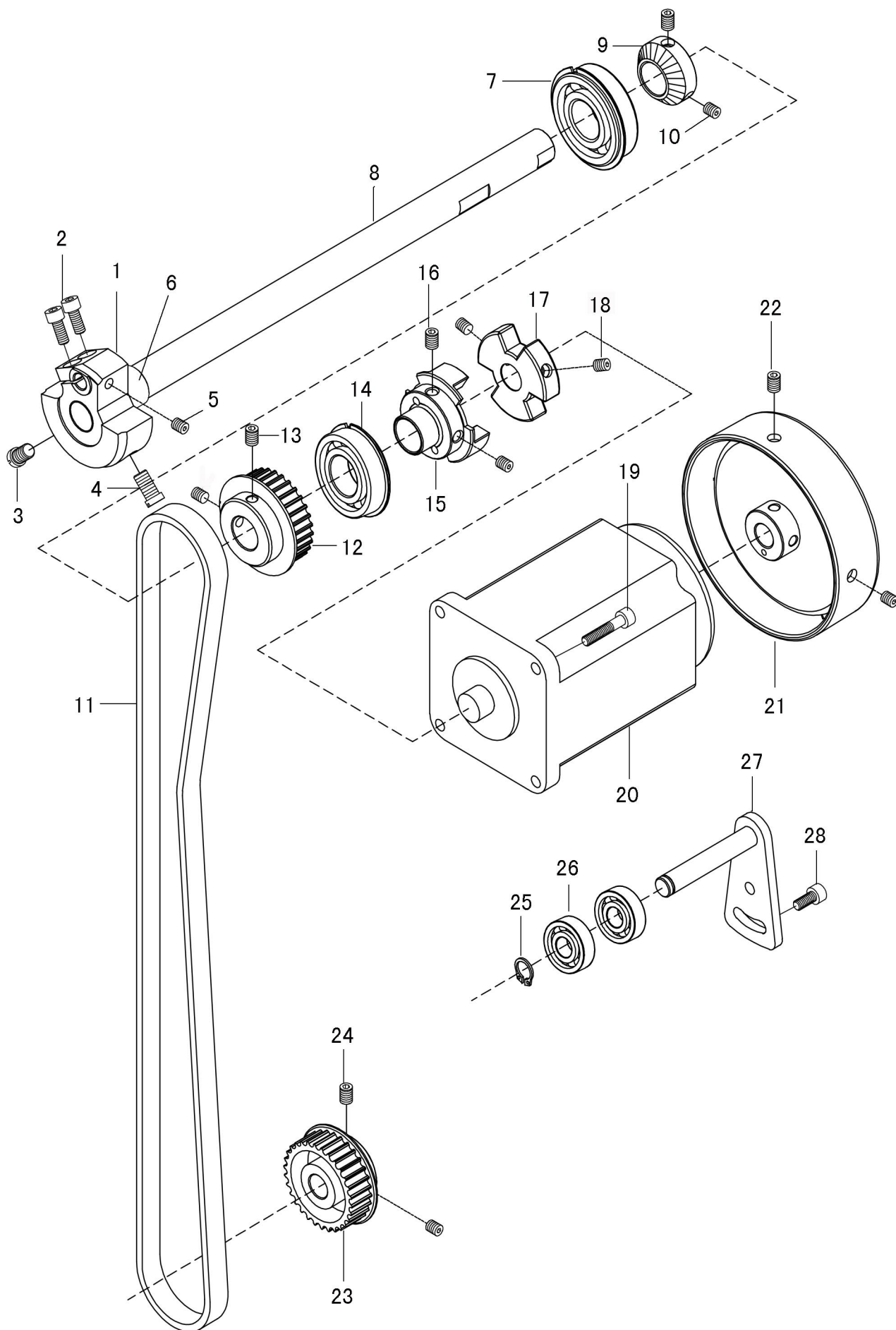
C. Needle bar holder parts 针棒座部件



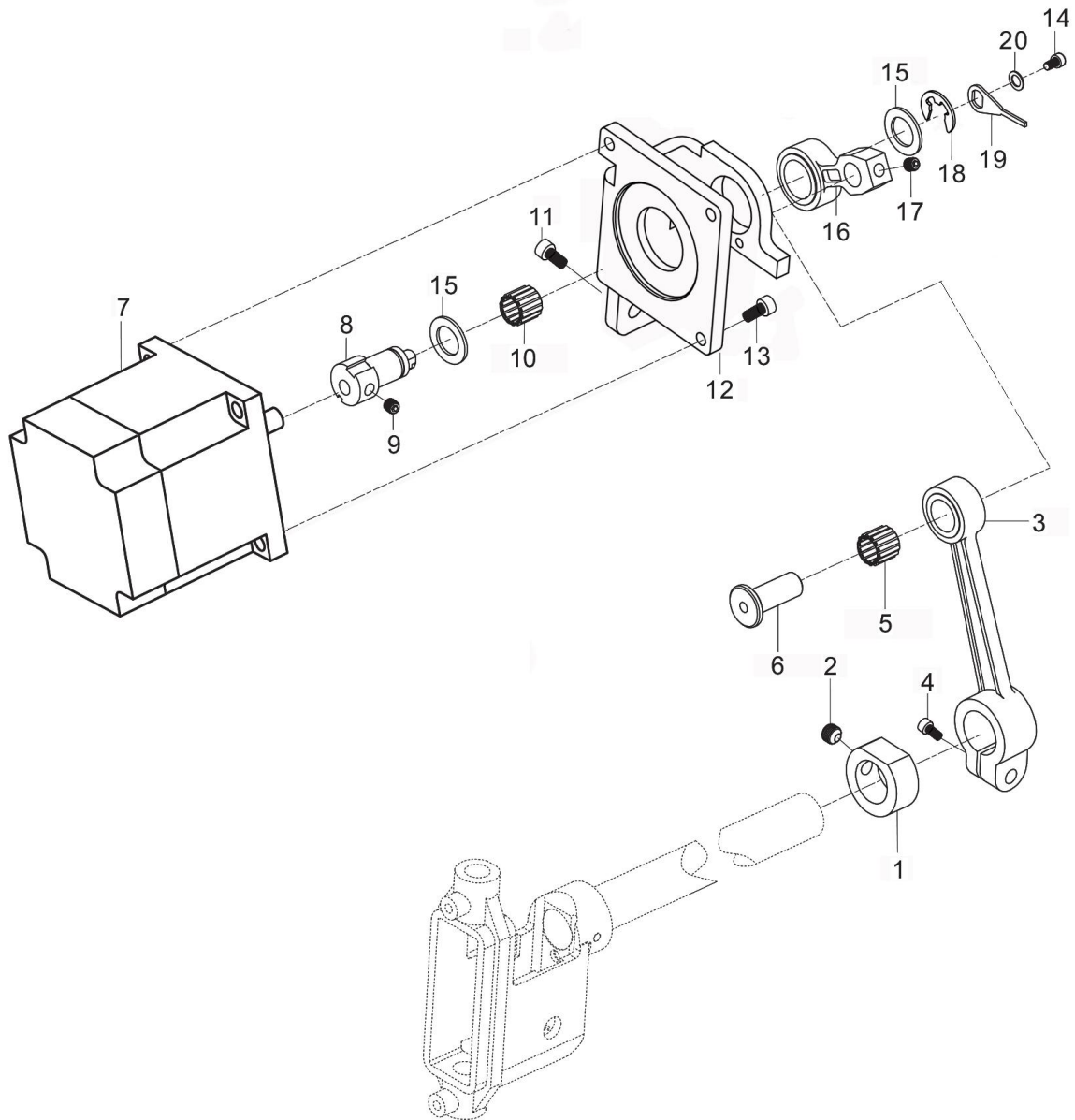
D. Thread tension regulator parts 夹线调节器部件



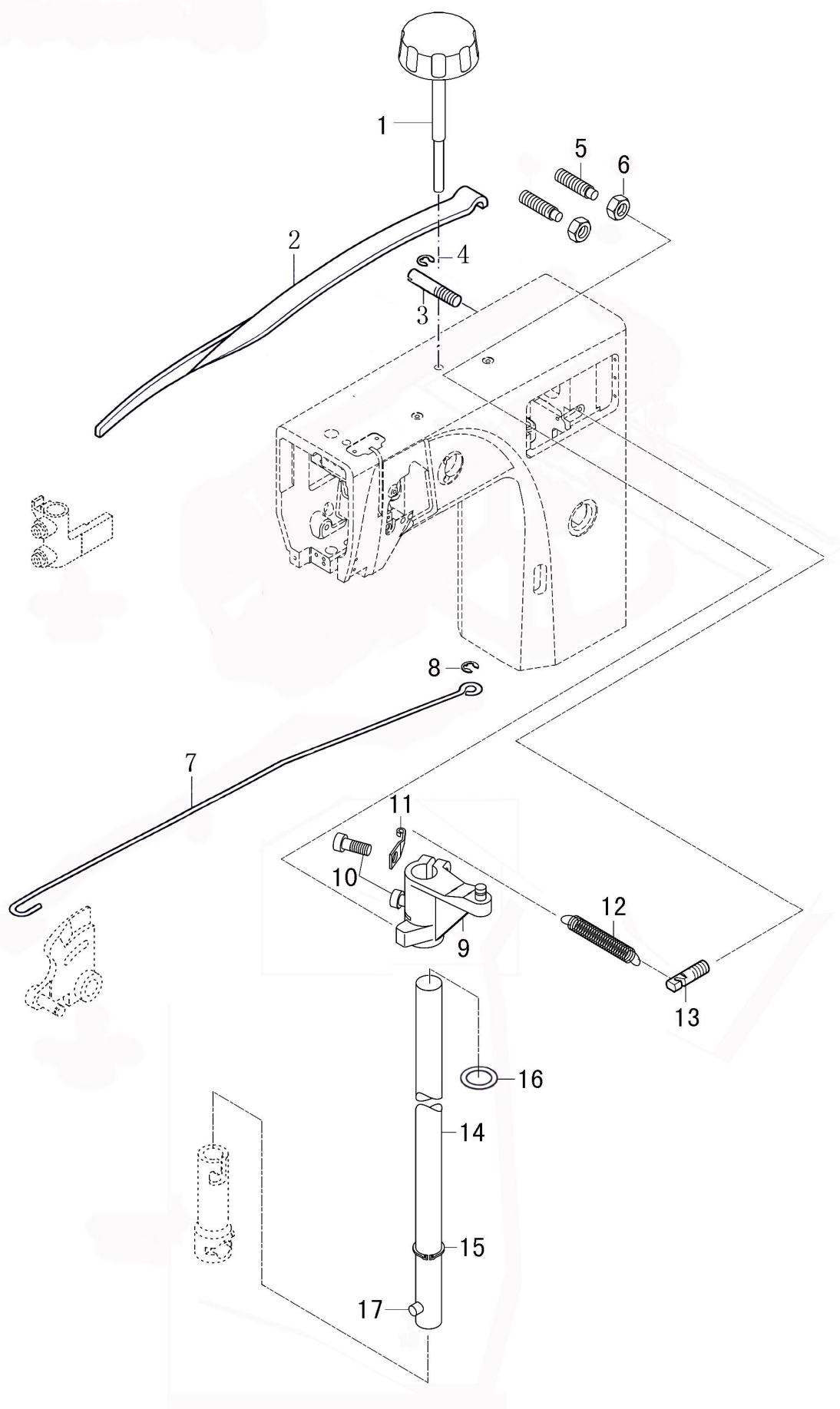
E. Main shaft driving parts 主动轴传动部件



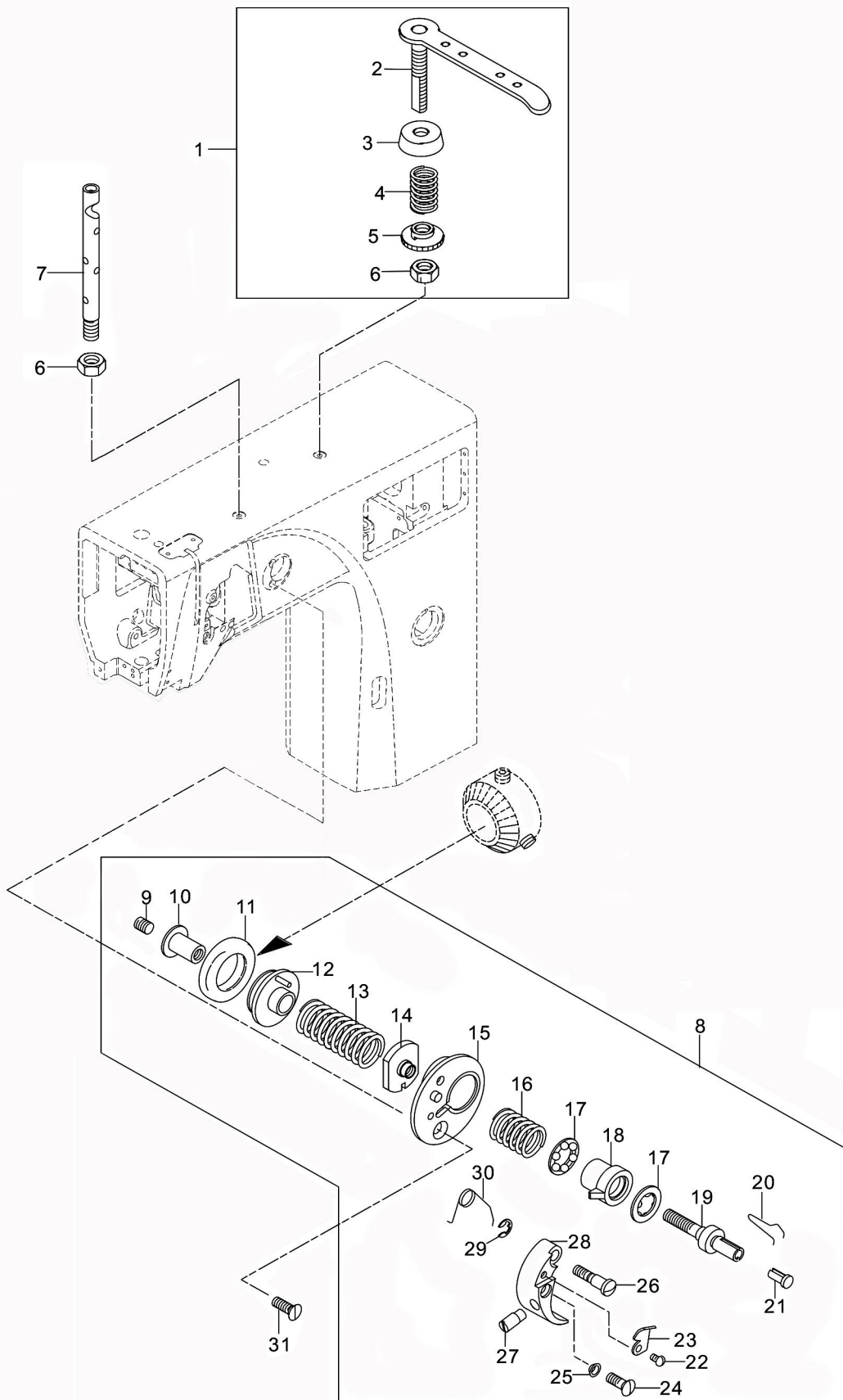
F. Needle feed parts 针送料部件



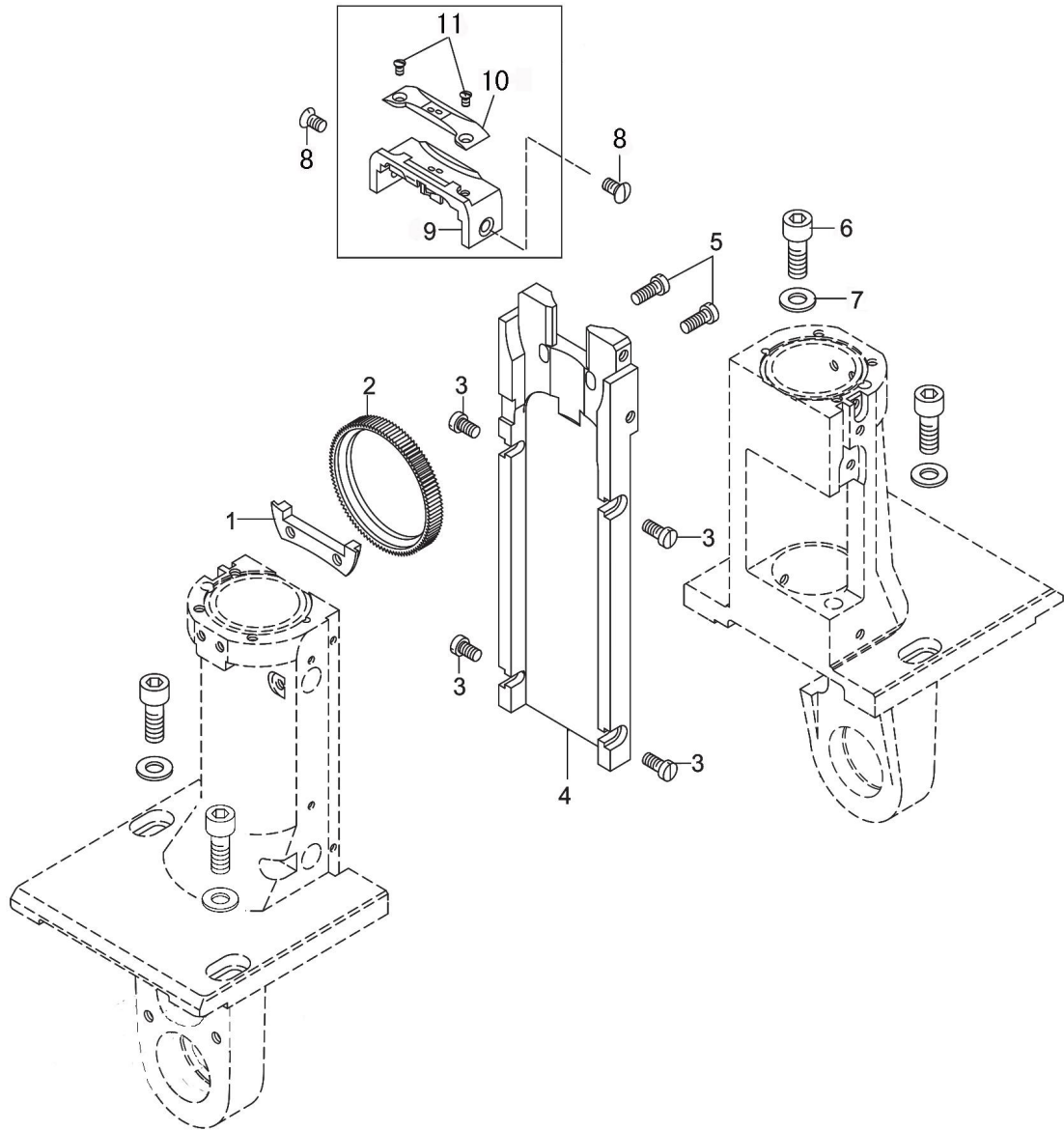
G. Presser foot lifting parts 压脚提升部件



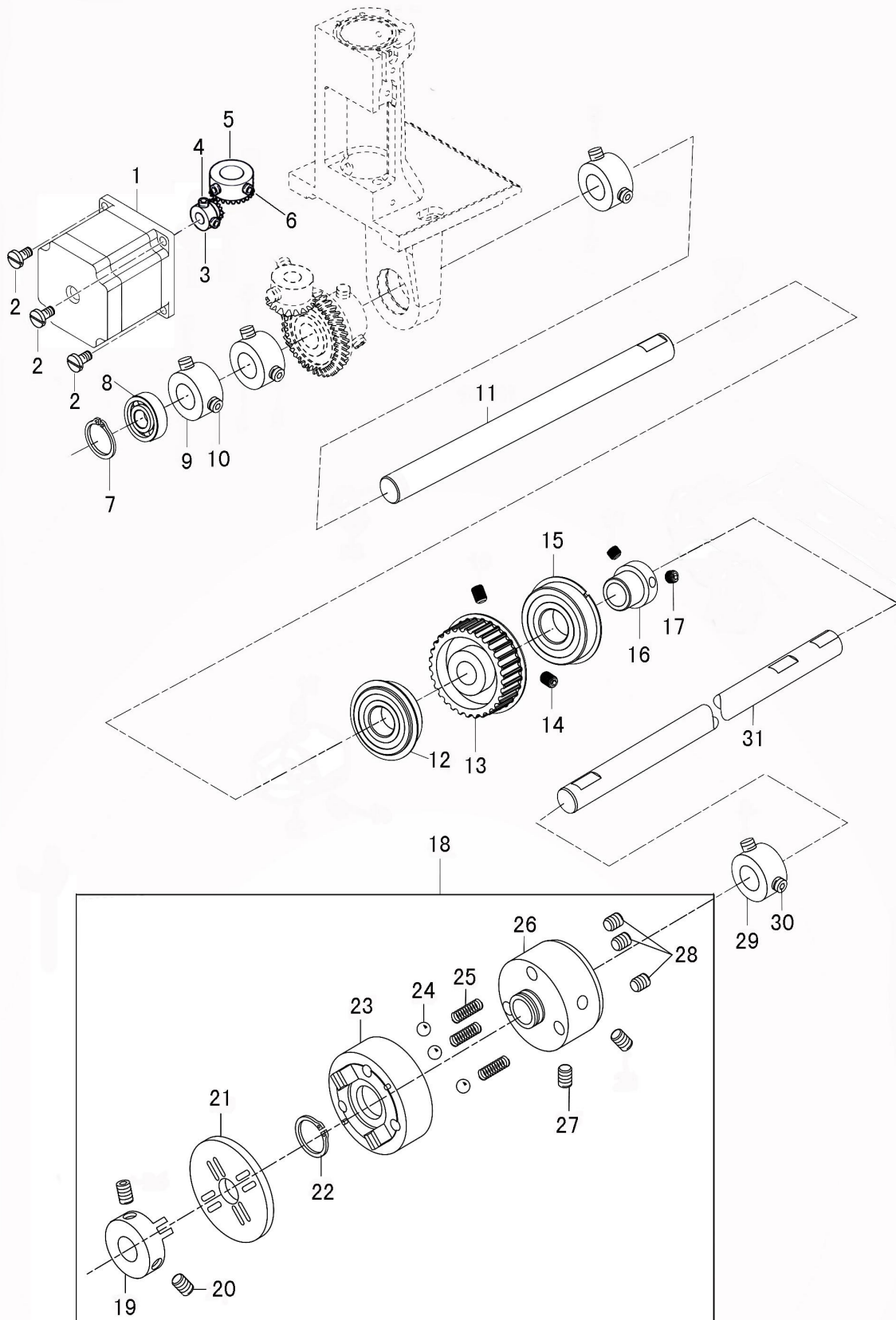
H. Bobbin winder parts 绕线器部件



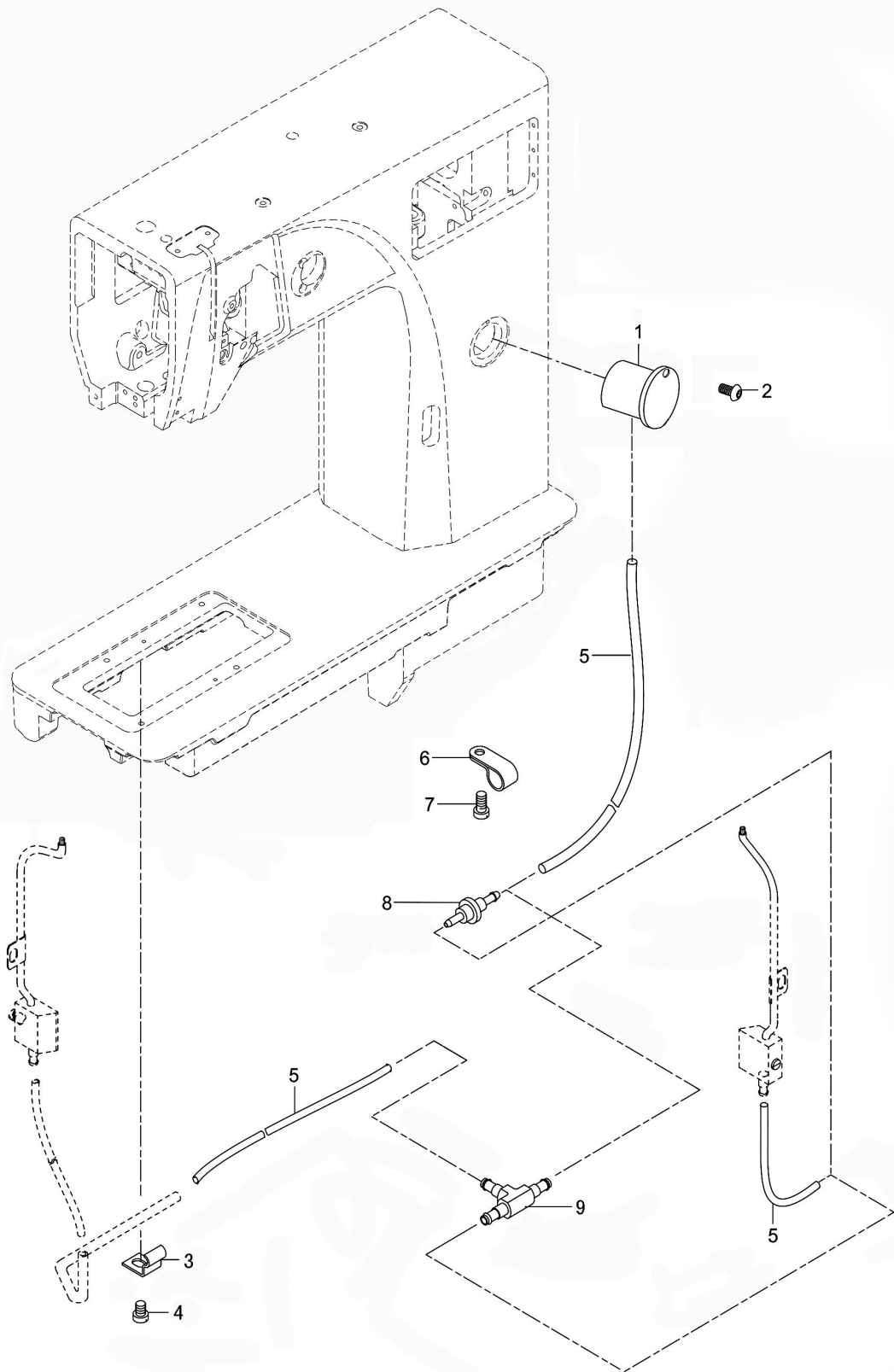
I. Bed plate feed parts for 2 needle 双针中座部件



J. Lower feed and clutch set parts 下送料及离合器部件



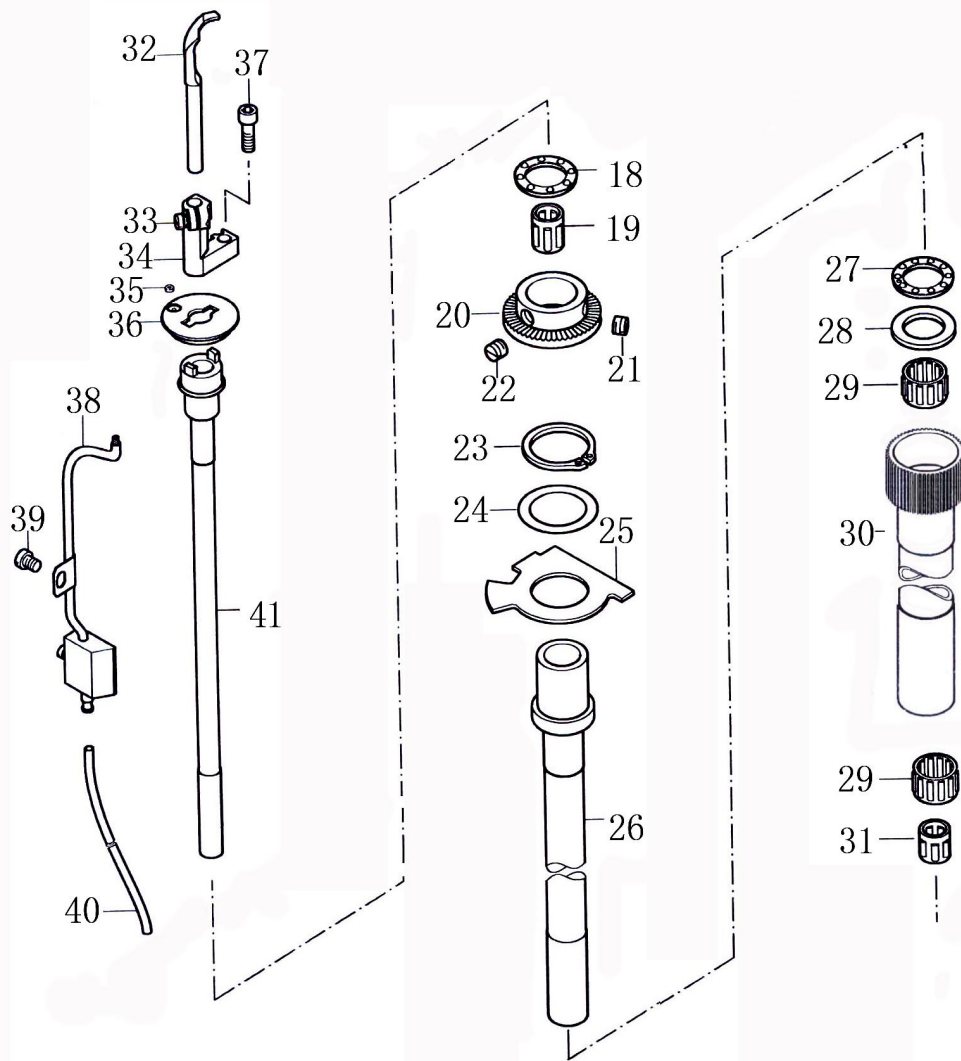
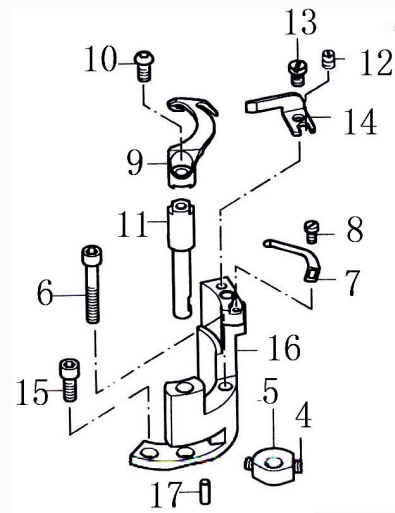
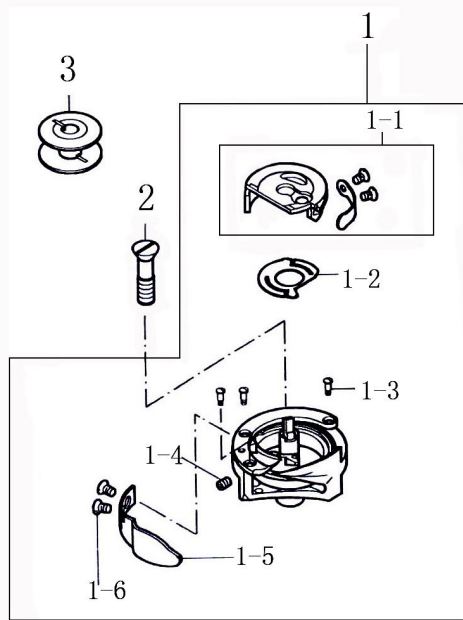
K. Oil lubrication parts 润滑部件



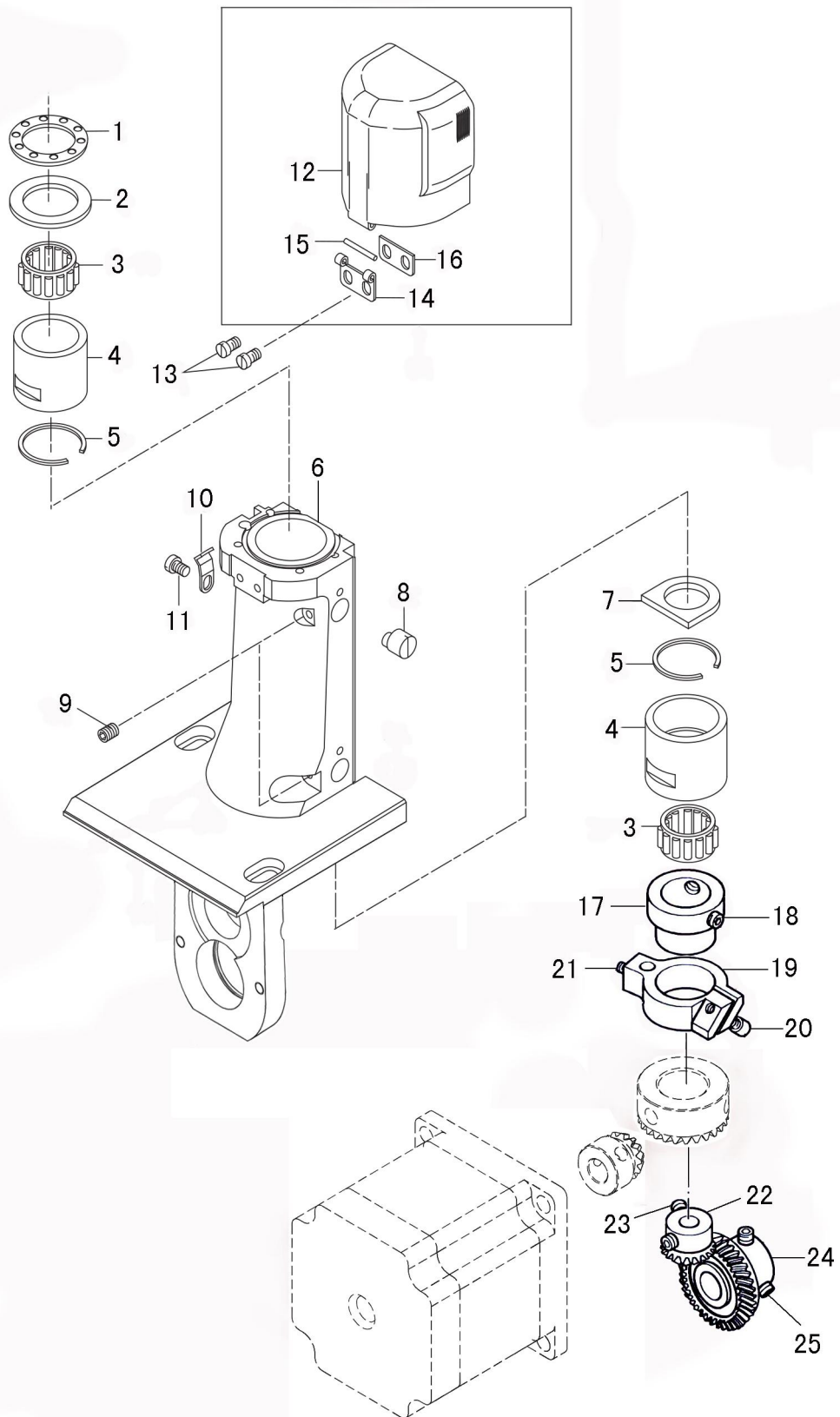
L. Hook parts (Left) 旋梭勾线、剪线部件 (左)

No.	Part No.	Name	名称	1NEEDLE	2NEEDLE
1	7.02.01.285	Hook assy.	旋梭组件		1
1-1		Bobbin case	旋梭壳组		1
1-2		Elastic gasket	阻尼弹片		1
1-3		Screw	螺钉		3
1-4		Screw	螺钉		1
1-5		Needle guard slice	护针片		1
1-6		Screw	护针片螺钉		2
2	7.02.15.038	Screw	旋梭螺钉 M5×20		1
3	7.02.21.385	Bobbin	锁芯		1
4	7.02.15.047	Screw	螺钉 M4		2
5	7.02.07.205	Driven gear	动刀传动齿轮		1
6	7.02.15.799	Screw (Long)	螺钉 (长) GB/T 70.1 M4×25		1
7	7.02.20.051	Thread trimming clamp plate	剪线夹线板		1
8	7.02.15.801	Screw	夹线板螺钉		1
9	7.02.20.052	Movable knife	动刀		1
10	7.02.15.973	Screw	动刀螺钉		1
11	7.02.03.342	Driven shaft	动刀转动轴		1
12	7.02.10.458	Eccentric pin	偏心销		1
13	7.02.15.433	Screw	定刀螺钉 M4×6		1
14	7.02.20.050	Fixed knife	定刀		1
15	7.02.15.063	Screw (Short)	螺钉 (短) GB/T 70.1 M4×10		1
16	7.02.01.352	Movable knife bracket	动刀架组件		1
17	7.02.10.370	Position pin	定位销		1
18	7.02.04.019	Bearing	平面轴承		1
19	7.02.04.018	Needle bearing	滚针轴承 K8×11×13		1
20	7.02.07.206	Gear	送料平面齿轮		1
21	7.02.15.054	Screw	齿轮螺钉 M6×0.75×5		1
22	7.02.15.247	Set screw	齿轮紧定螺钉 1/4×40×4		2
23	7.02.18.255	Elastic retaining ring	轴用弹性挡圈		1
24	7.02.18.256	Washer	垫圈		1
25	7.02.11.386	Oil guard plate	防油板		1
26	7.02.08.027	Bushing	釜轴中套管		1
27	7.02.04.113	Bearing	推力轴承 BTM14222.5		1
28	7.02.18.257	Washer	垫圈		1
29	7.02.04.020	Bearing	轴承 K14×17×10		2
30	7.02.01.356	Bushing	釜轴外套管		1
31	7.02.04.009	Needle bearing	滚针轴承 K8×11×10		1
32	7.02.01.288	Thread distributing claw	分线勾		1
33	7.02.15.420	Screw	螺钉 GB/T 65 M4×6		1
34	7.02.01.289	Thread distributing claw bracket	分线勾座		1
35	7.02.16.300	Seal ring	密封圈		1
36	7.02.11.385	Oil supply plate	旋梭供油板		1
37	7.02.15.577	Screw	螺钉 GB/T 70.1 M4×12		1
38	7.02.16.303	Oil supply valve	旋梭供油阀组件		1
39	7.02.15.022	Screw	螺钉 M4×4.5		1
40	7.02.16.047	Oil tube	油管		1
41	7.02.03.340	Shaft	旋梭轴		1

L. Hook parts (Left) 旋梭勾线、剪线部件 (左)



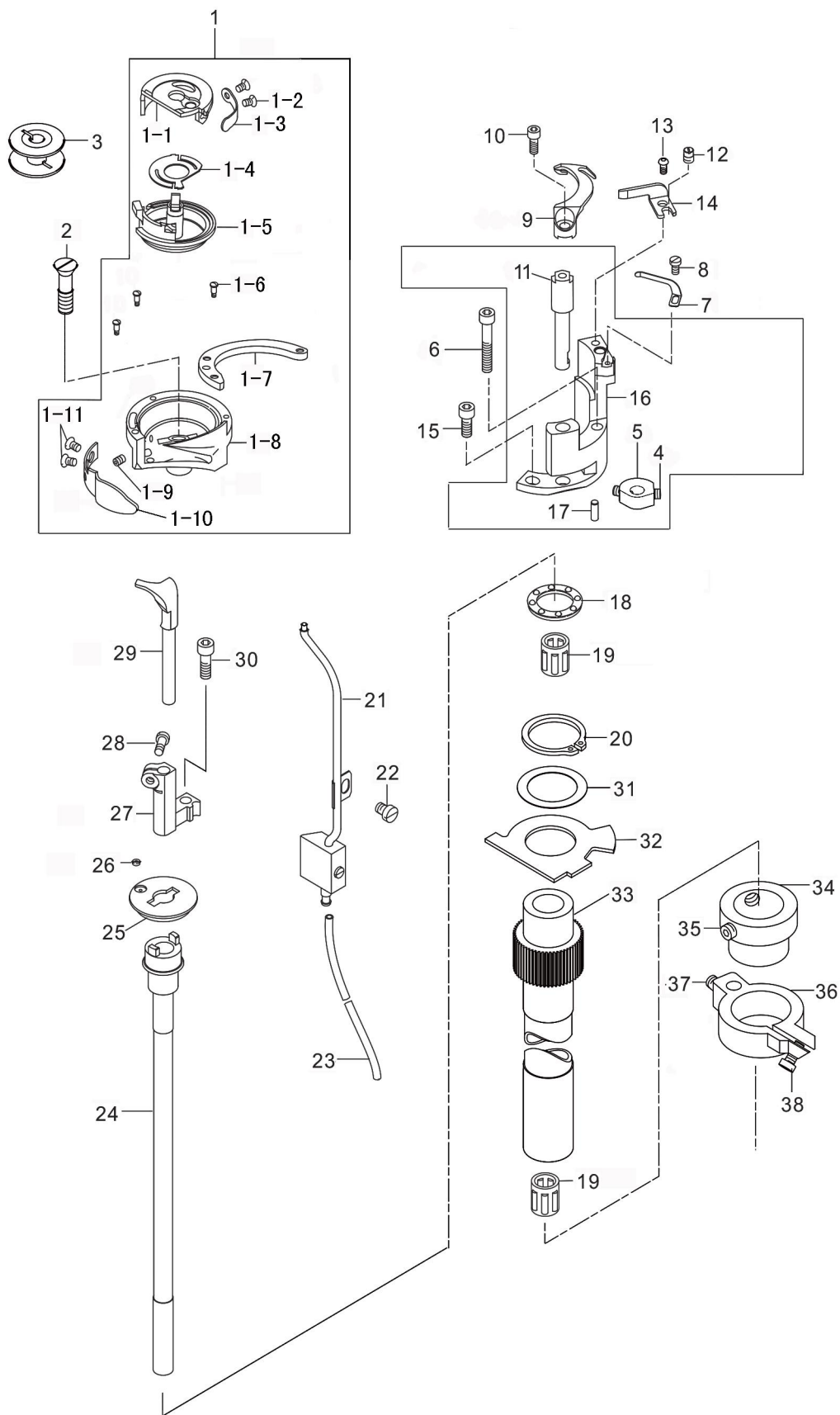
M. Side bracket parts (Left) 边座部件 (左)



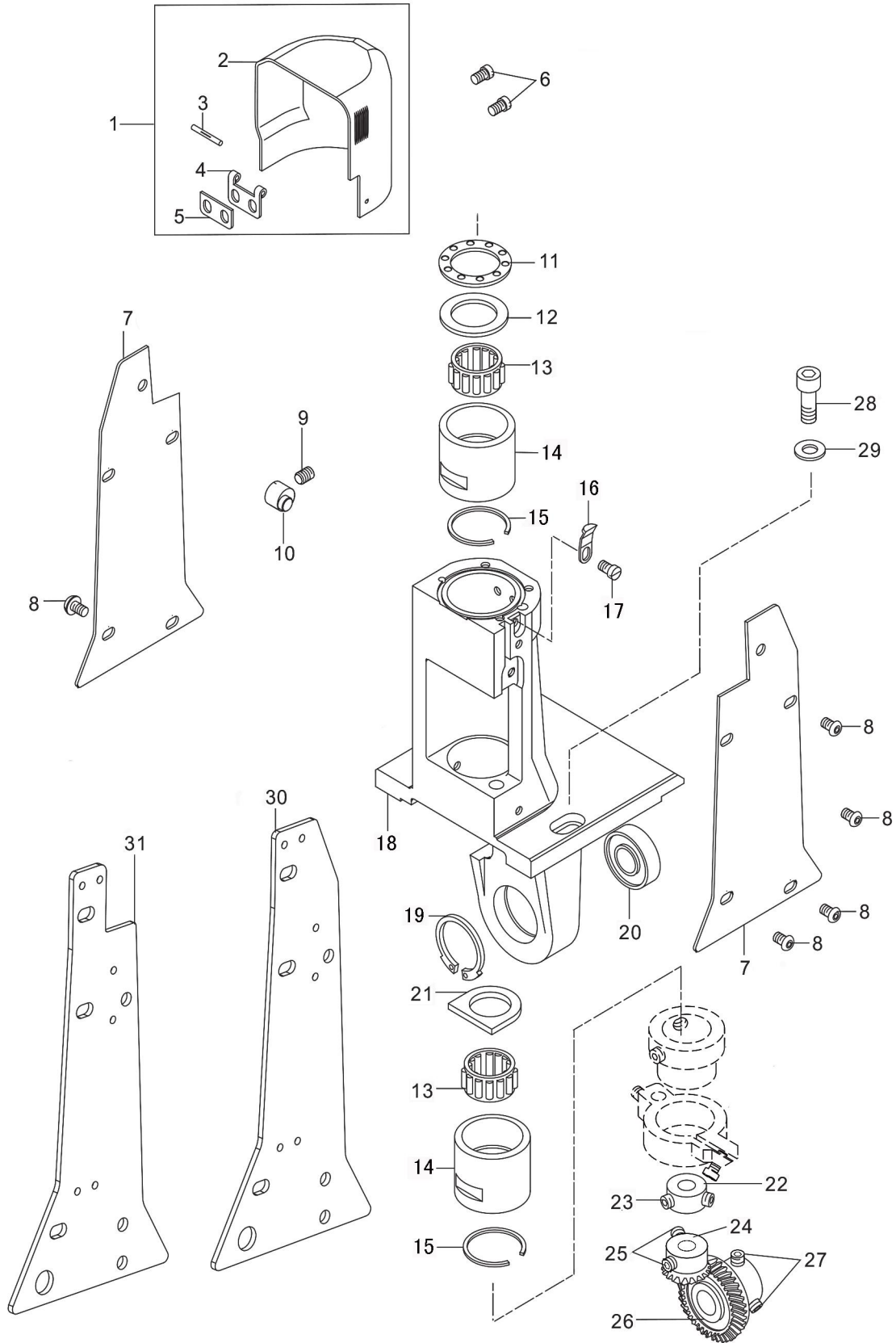
N. Hook parts (Right) 旋梭勾线、剪线部件 (右)

No.	Part No.	Name	名称	1NEEDLE	2NEEDLE
1	7.02.01.285	Hook assy.	旋梭组件	1	1
1-1		Hook-top	梭头体	1	1
1-2		Screw	板式弹簧螺钉	2	2
1-3		Spring	板式弹簧	1	1
1-4		Elastic gasket	阻尼弹片	1	1
1-5		Bobbin case base	梭壳	1	1
1-6		Screw	螺钉	3	3
1-7		Hook gib	内梭头舌	1	1
1-8		Bobbin case	梭壳	1	1
1-9		Screw	螺钉	1	1
1-10		Needle guard slice	护针片	1	1
1-11		Screw	护针片螺钉	2	2
2	7.02.15.038	Screw	旋梭螺钉 M5×20	1	1
3	7.02.21.385	Bobbin	梭心	1	1
4	7.02.15.047	Screw	螺钉	2	2
5	7.02.07.205	Driven gear	动刀传动齿轮	1	1
6	7.02.15.799	Screw (Long)	螺钉 (长) GB/T 70.1 M4×25	1	1
7	7.02.20.051	Thread trimming clamp plate	剪线夹线板	1	1
8	7.02.15.801	Screw	夹线板螺钉	1	1
9	7.02.20.052	Movable knife	动刀	1	1
10	7.02.15.973	Screw	动刀螺钉	1	1
11	7.02.03.342	Driven shaft	动刀传动轴	1	1
12	7.02.10.458	Eccentric pin	偏心销	1	1
13	7.02.15.433	Screw	定刀螺钉 M4×6	1	1
14	7.02.20.050	Fixed knife	定刀	1	1
15	7.02.15.063	Screw (Short)	螺钉 (短) GB/T 70.1 M4×10	1	1
16	7.02.01.352	Movable knife bracket	动刀架组件	1	1
17	7.02.10.370	Restrict pin	限位销	1	1
18	7.02.04.019	Bearing	平面轴承	1	1
19	7.02.04.018	Needle bearing	滚针轴承	2	2
20	7.02.18.251	Elastic retaining ring	轴用弹性挡圈 GB/T 894.1 21	1	1
21	7.02.16.303	Oil supply valve	旋梭供油阀组件	1	1
22	7.02.15.022	Fixed screw	供油阀固定螺钉	1	1
23	7.02.16.047	Oil tube	油管	1	1
24	7.02.03.340	Shaft	釜轴	1	1
25	7.02.11.385	Oil supply plate	旋梭供油板	1	1
26	7.02.16.300	Seal ring	密封圈	1	1
27	7.02.01.289	Thread distributing claw bracket	分线勾座	1	1
28	7.02.15.420	Screw	螺钉 GB/T 65 M4×6	1	1
29	7.02.01.288	Thread distributing claw	分线勾	1	1
30	7.02.15.577	Screw	螺钉 GB/T 70.1 M4×12	1	1
31	7.02.18.252	Washer	垫圈	1	1
32	7.02.11.386	Oil guard plate	防油板	1	1
33	7.02.08.392	Bushing	釜轴套管	1	1
34	7.02.09.080	Bushing collar	釜轴套管紧圈	1	1
35	7.02.15.054	Screw	螺钉 M6×0.75×6	2	2
36	7.02.06.279	Thread trimming crank	剪线曲柄	1	1
37	7.02.15.056	Crank screw	曲柄螺钉 GB/T 74 M5×5	1	1
38	7.02.15.063	Set screw	紧定螺钉 GB/T 70.1 M4×10	1	1

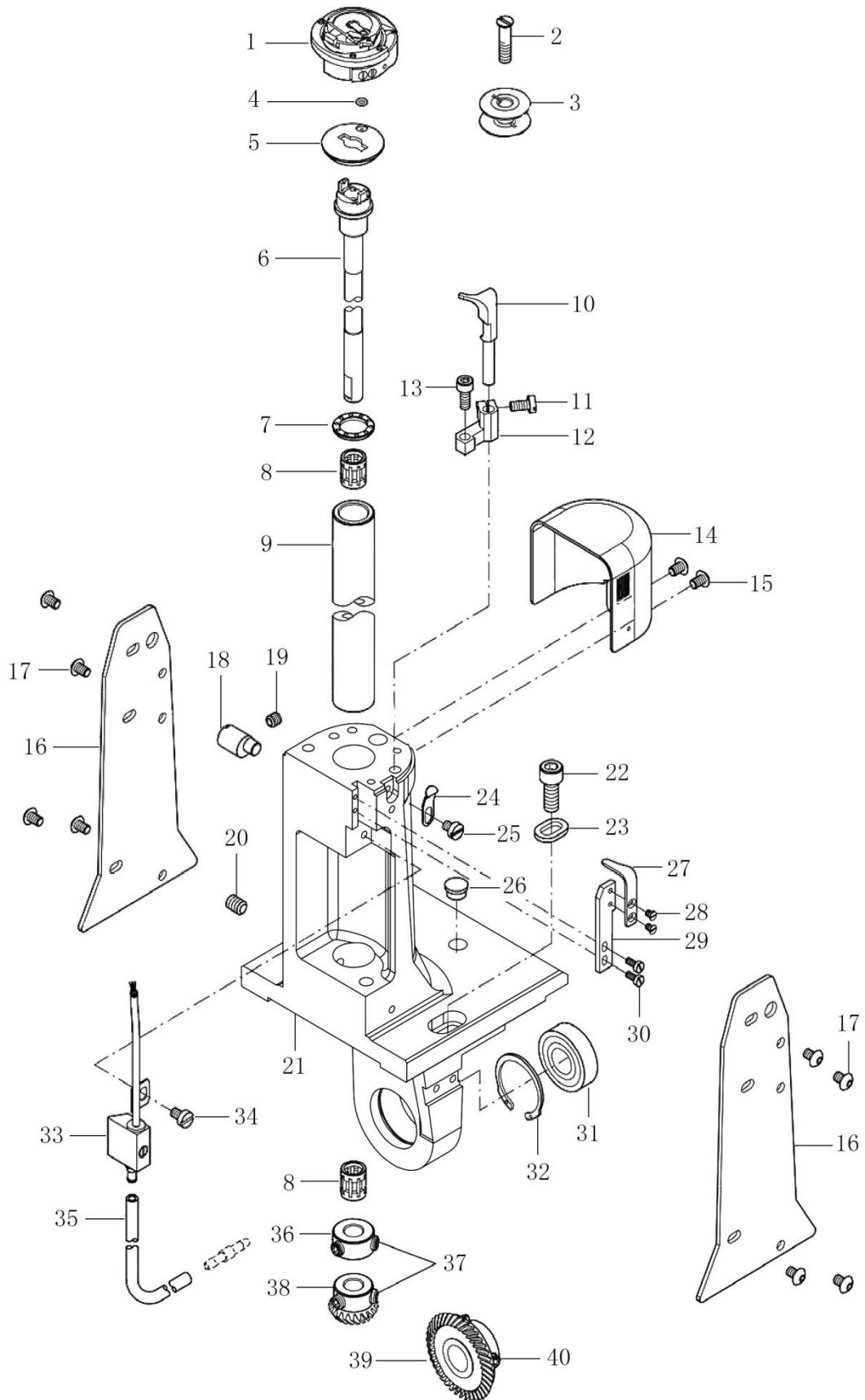
N. Hook parts (Right) 旋梭勾线、剪线部件 (右)



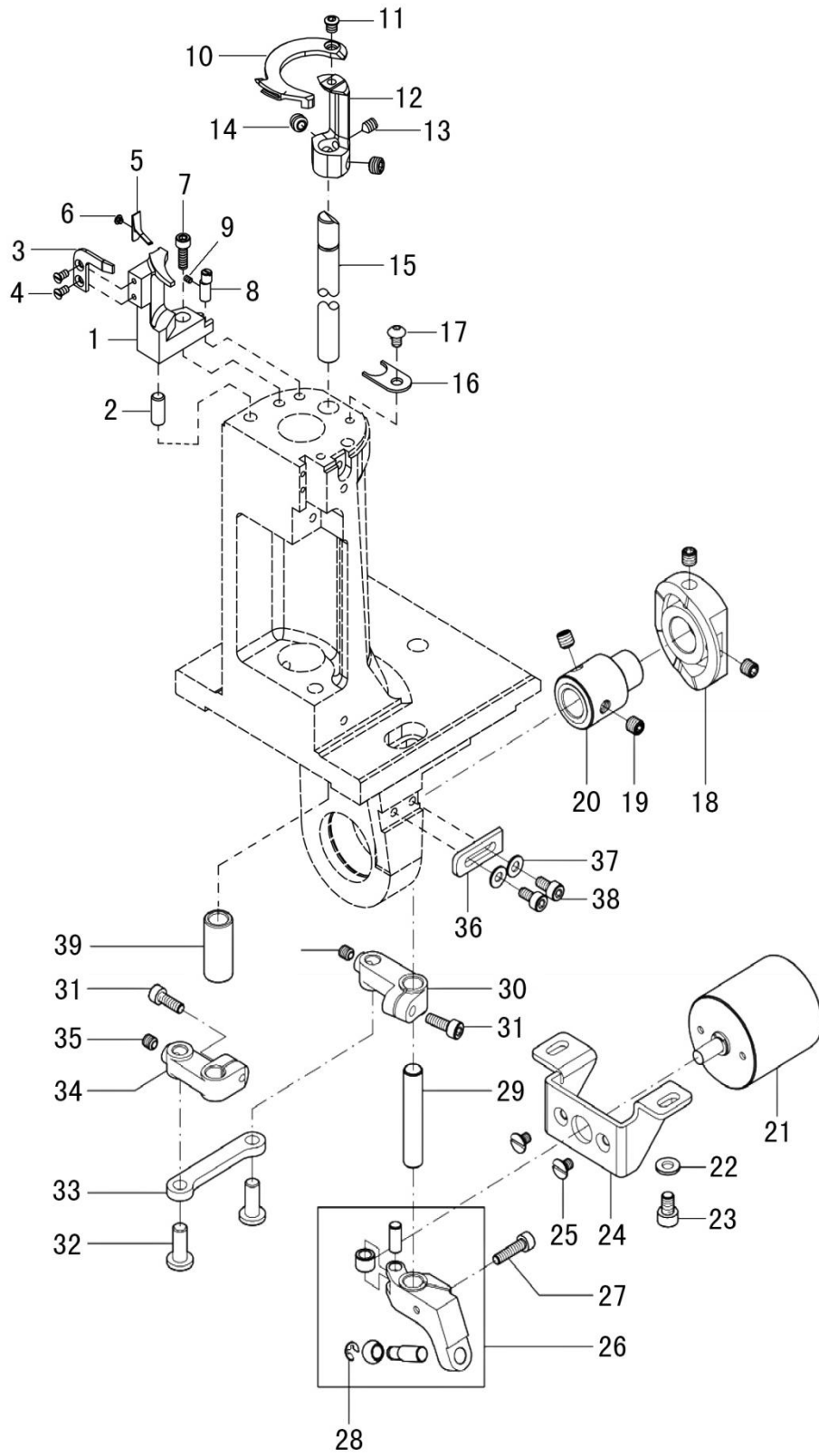
0. Side bracket parts (Right) 边座部件 (右)



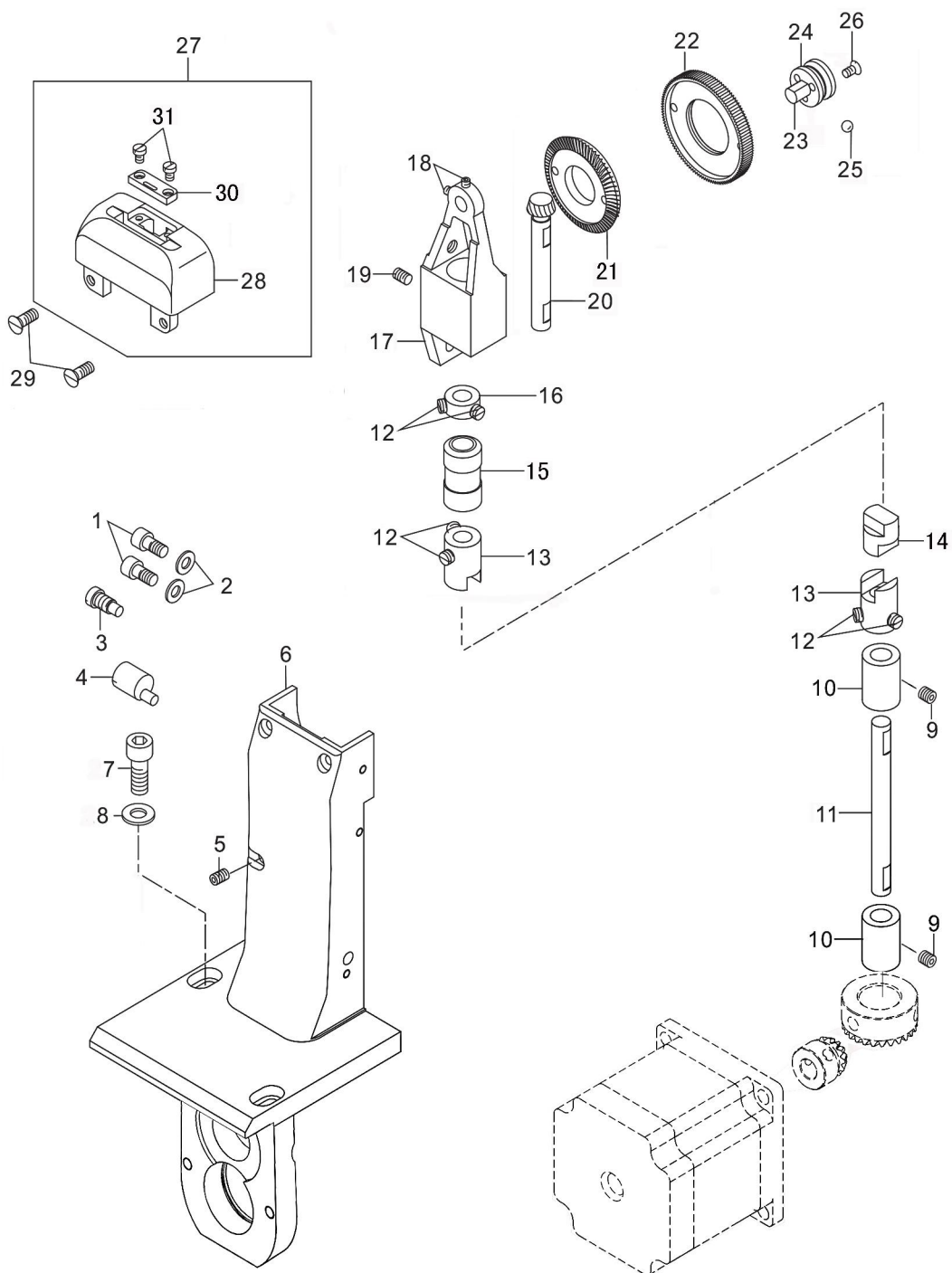
P. Side bracket parts (Short thread end) 边座部件 (短线头)



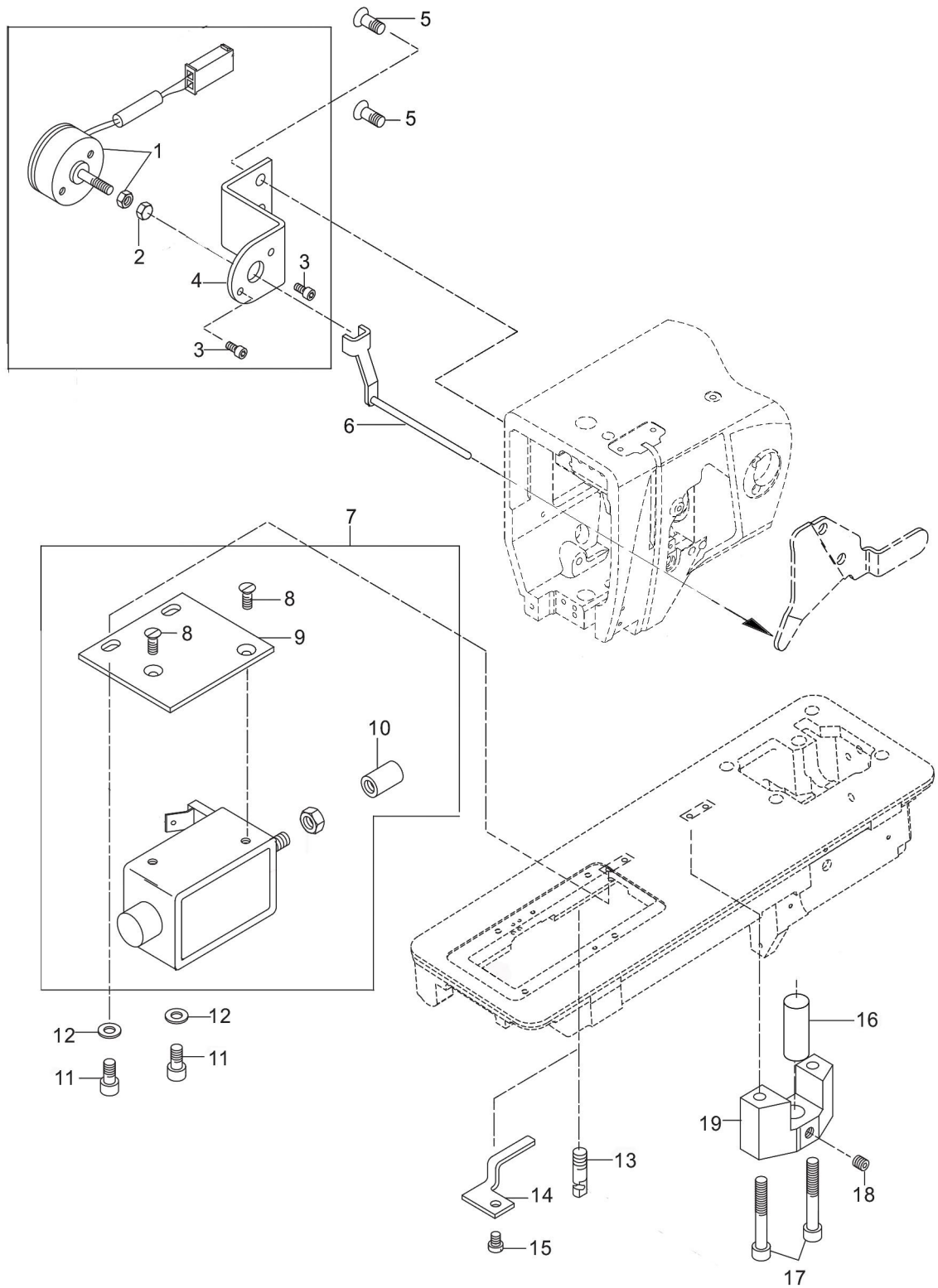
Q. Thread trimming parts (Short thread end) 剪线部件 (短线头)



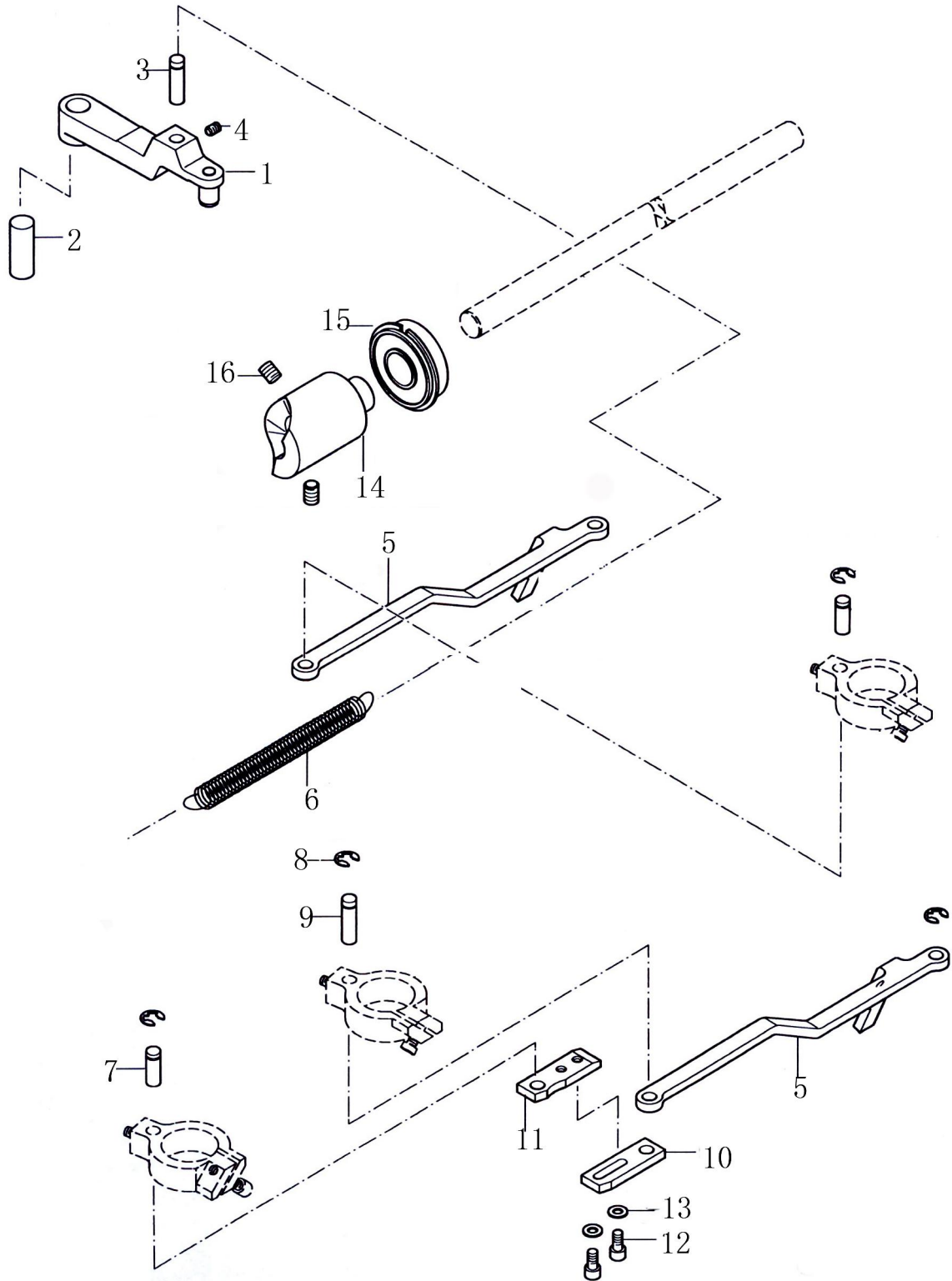
R. Bed plate feed parts 单针中座部件



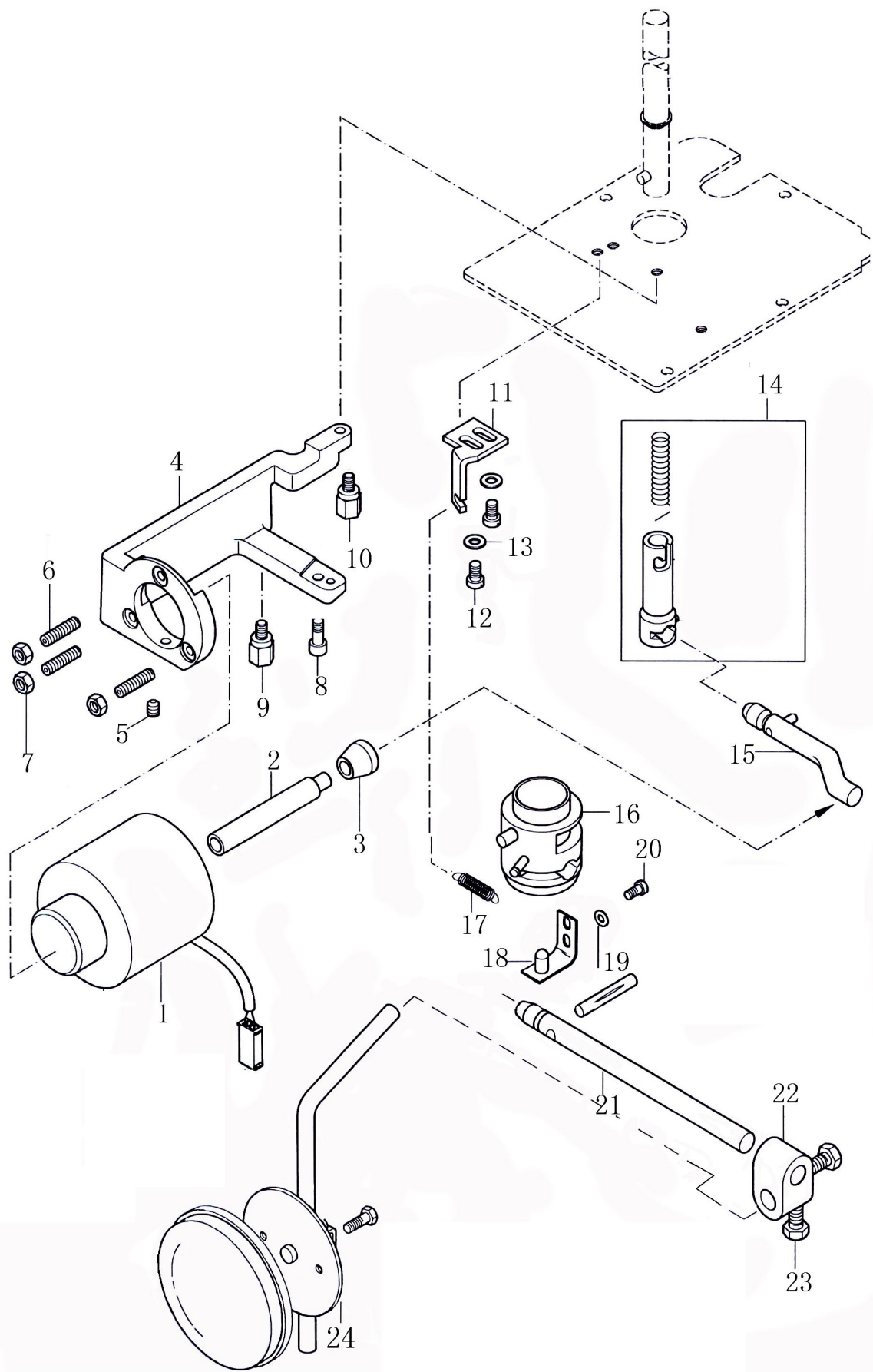
S. Thread trimming solenoid, thread releasing solenoid parts 剪线、松线电磁铁部件



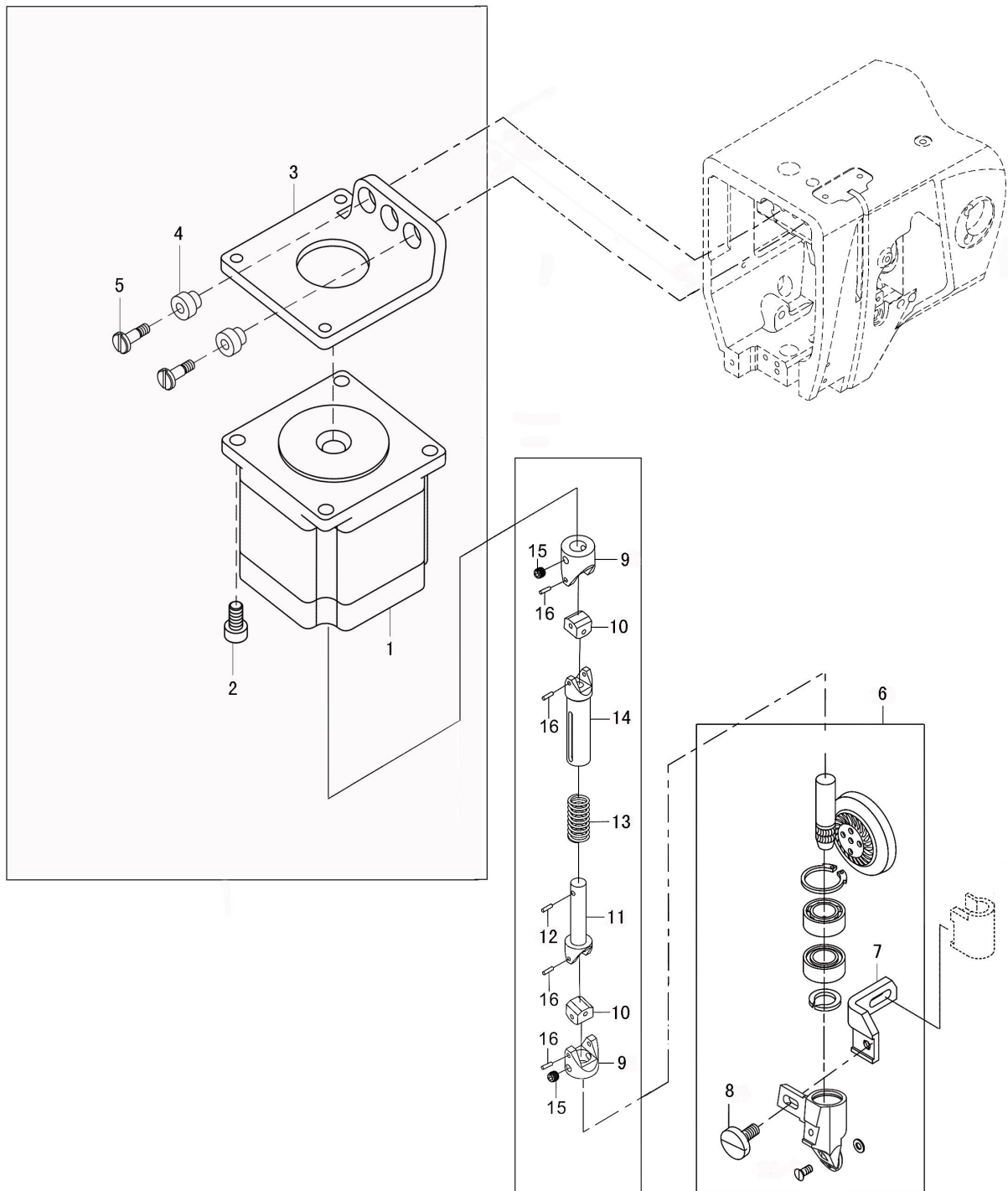
T. Thread trimming driving parts 剪线传动部件



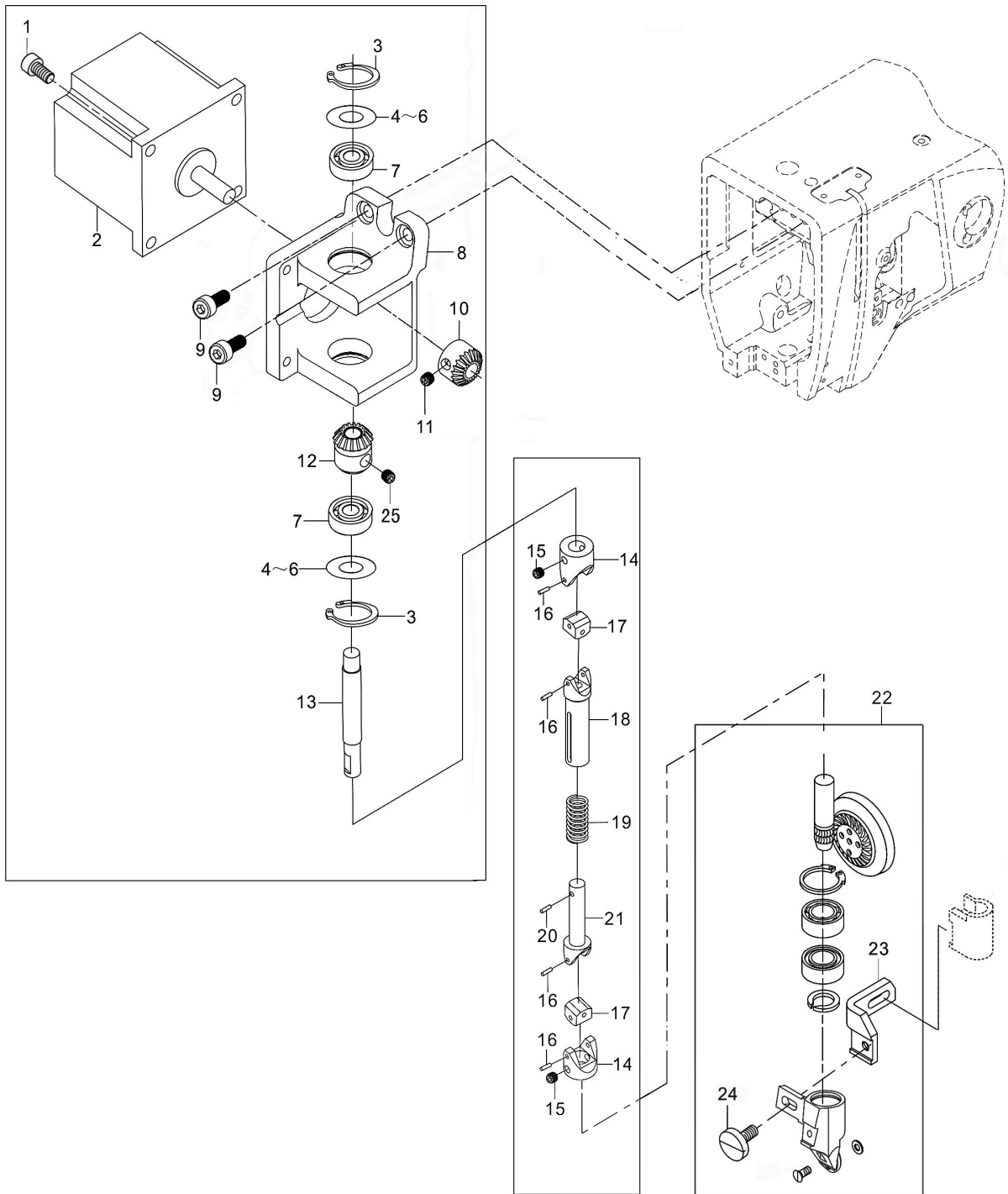
U. Presser foot lifting solenoid parts 压脚提升电磁铁部件



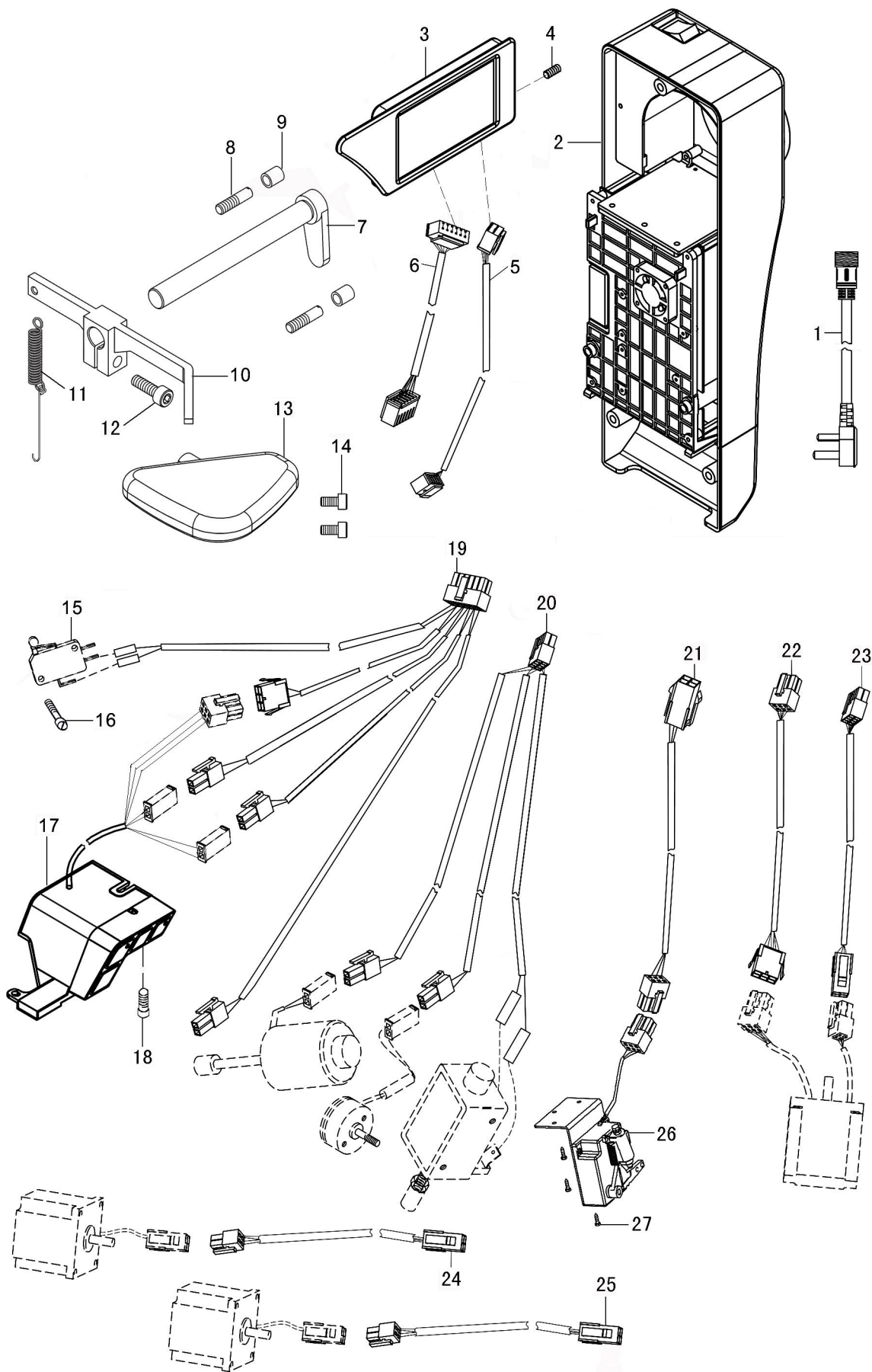
V. Upper feed parts for 1 needle 上送料部件 (单针)

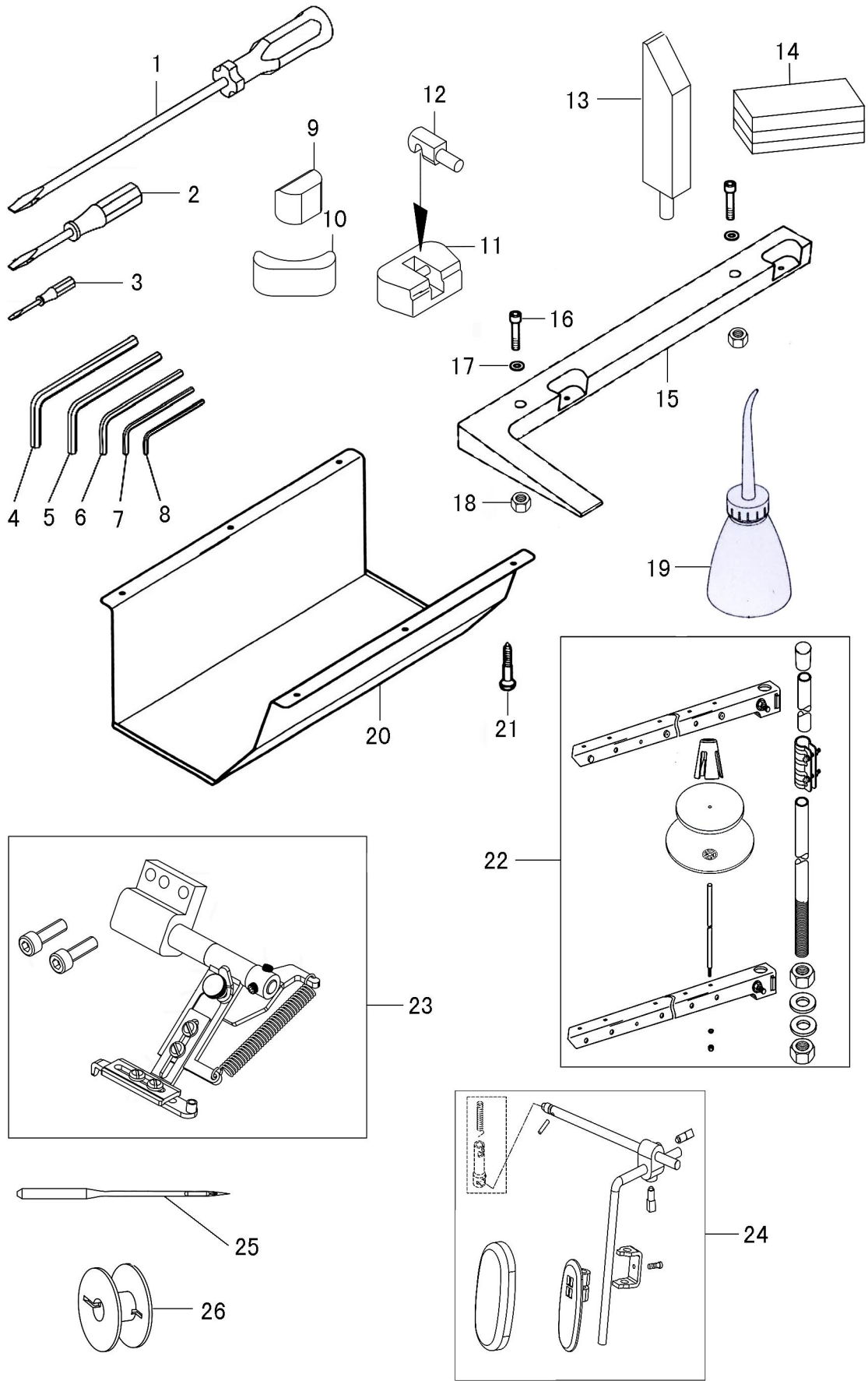


W. Upper feed parts for 2 needle 上送料部件 (双针)

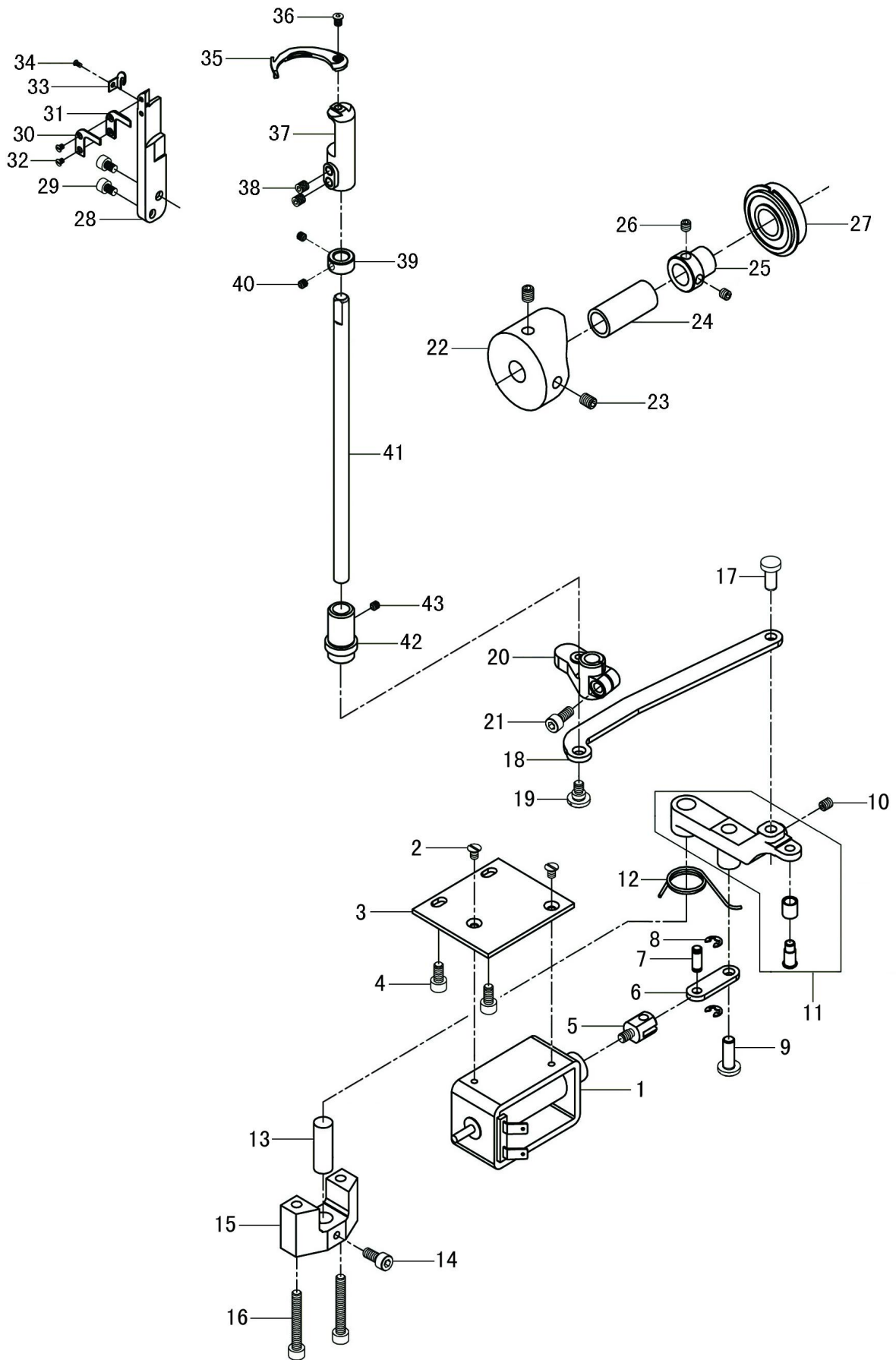


X. Electric control, backstitch lever parts 电控及倒缝扳手部件





THREAD TRIMMING MECHANISM(Big hole)剪线机构（大梭）



RIGHT SIDE BRACKET MECHANISM (Big hole) 右边座机构 (大梭)

